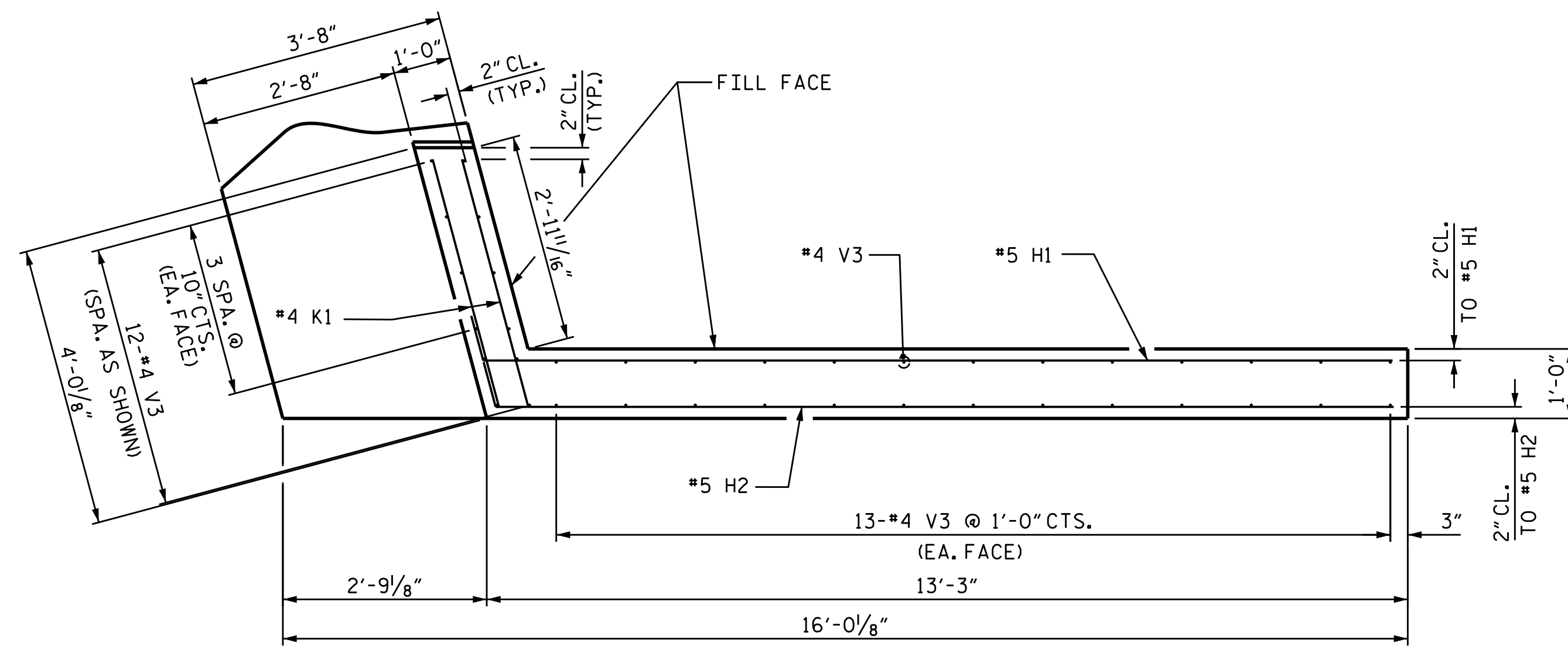
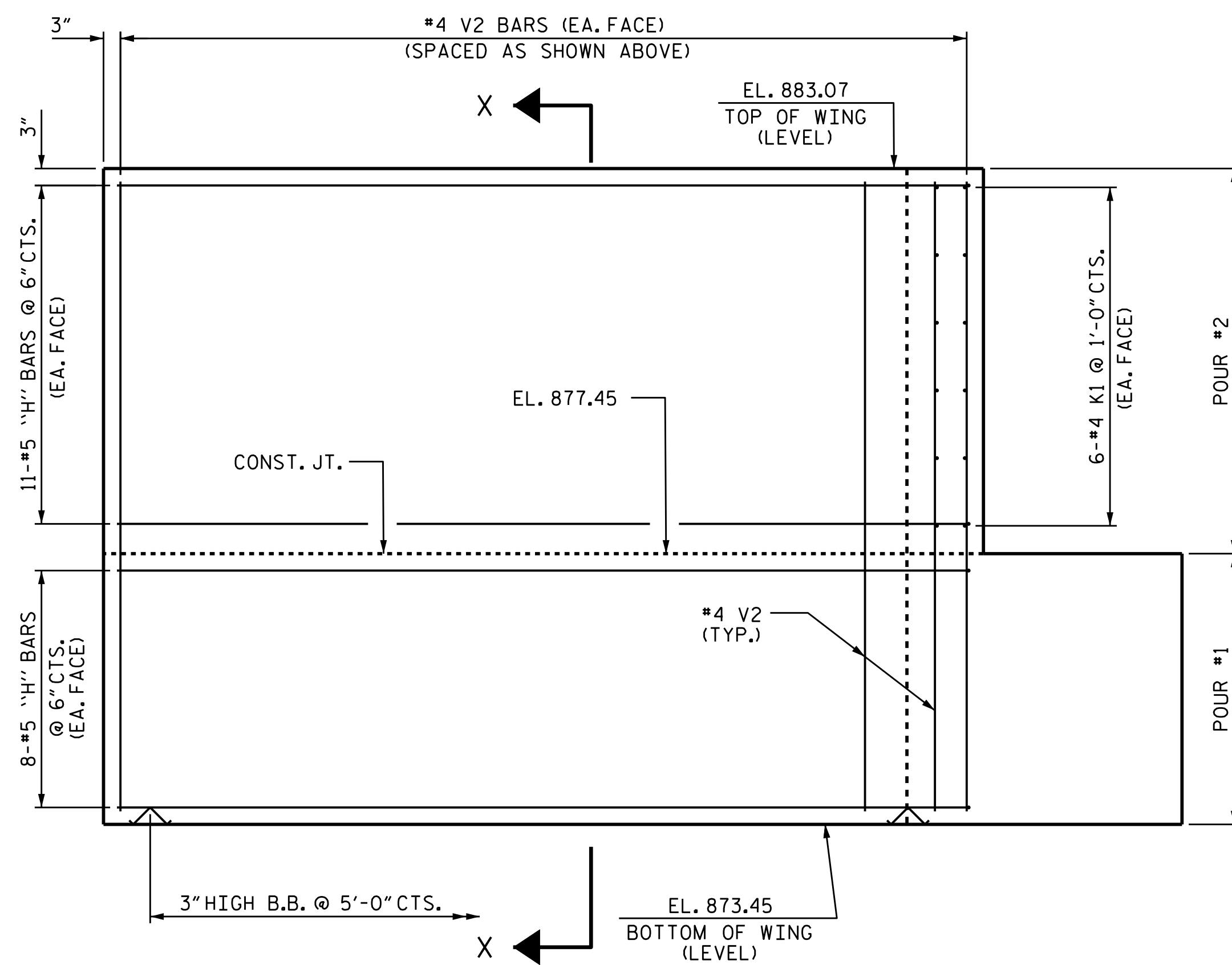


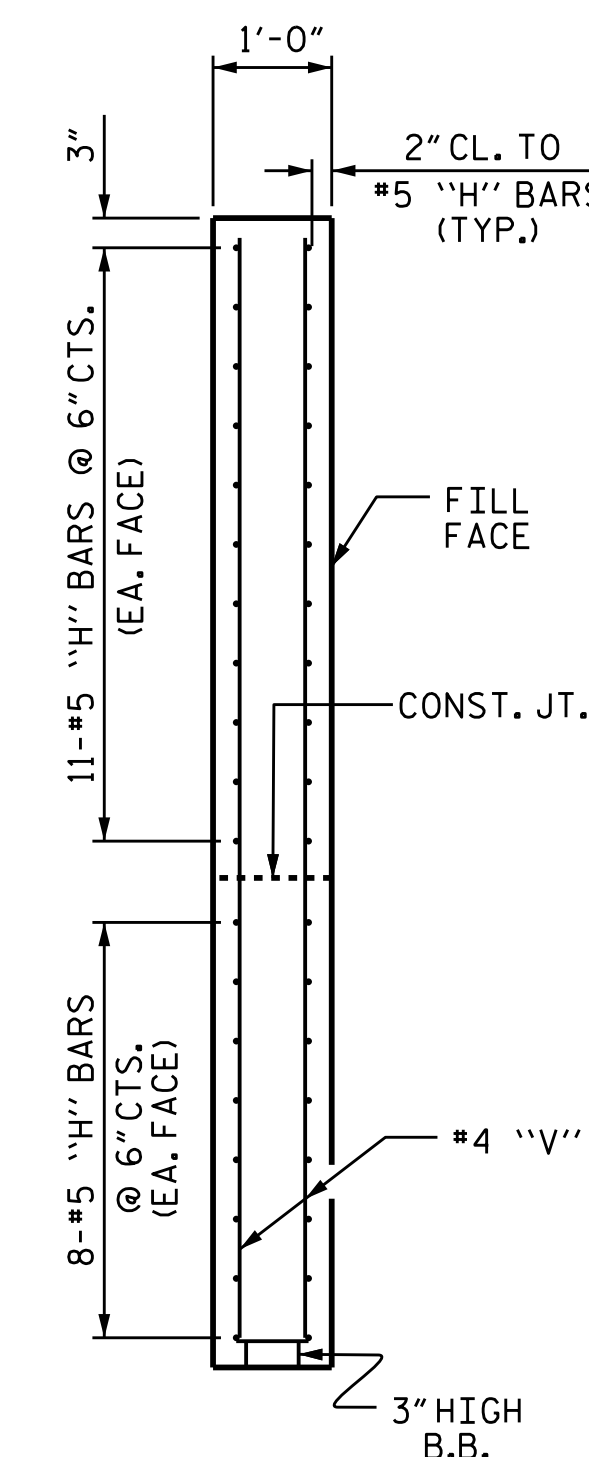
PLAN OF LEFT WING



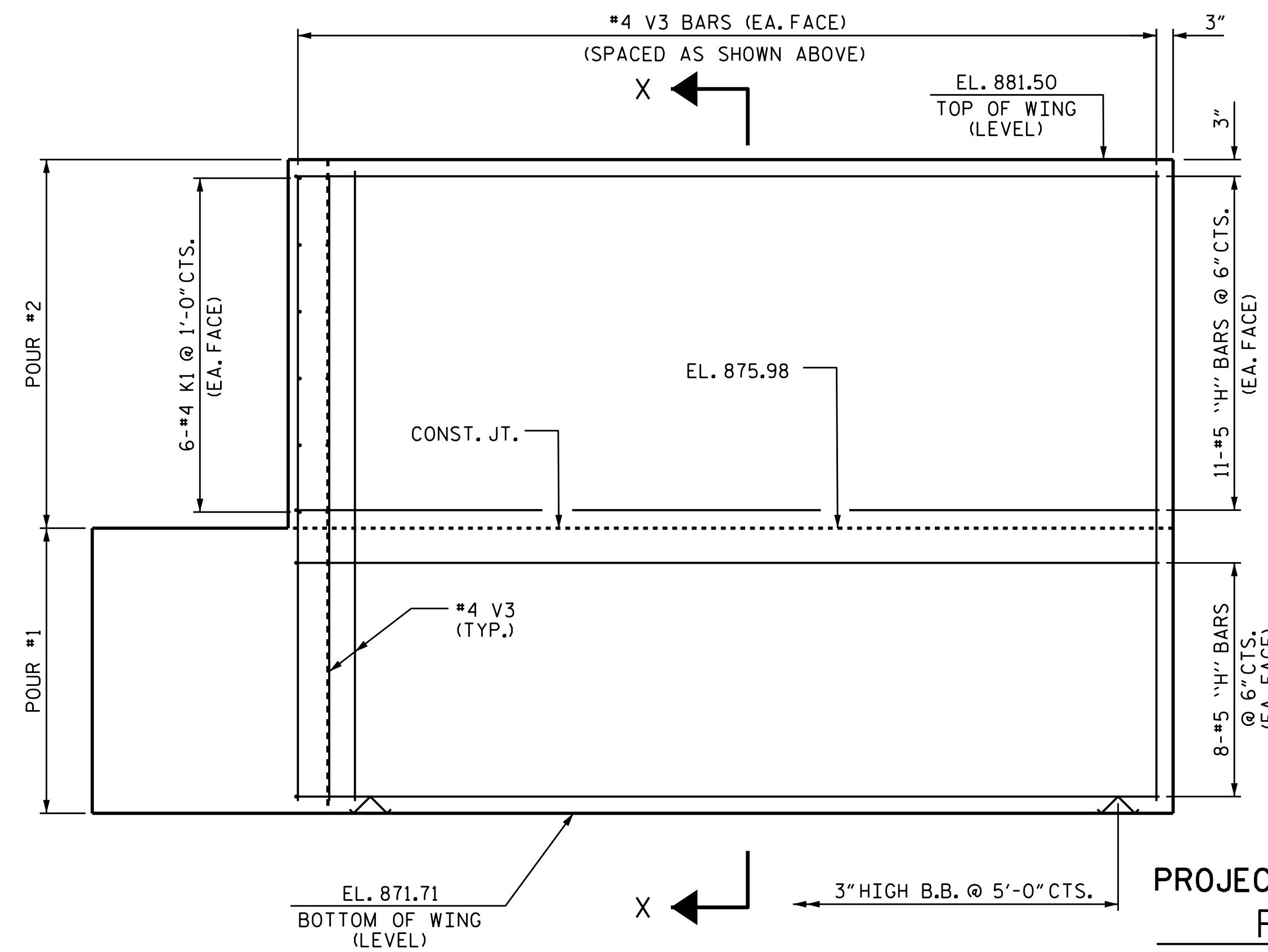
PLAN OF RIGHT WING



ELEVATION OF LEFT WING



SECTION X-X



ELEVATION OF RIGHT WING

PROJECT NO. U-2579C
FORSYTH COUNTY
 STATION: 473+70.00 -L-

SHEET 2 OF 3



STATE OF NORTH CAROLINA
 DEPARTMENT OF TRANSPORTATION
 RALEIGH
 SUBSTRUCTURE
 INTEGRAL
 END BENT 2
 (RIGHT LANE)

DRAWN BY : H.A. LOCKLEAR DATE : 6/22/16
 CHECKED BY : K.D. LAYNE DATE : 8/3/16
 DESIGN ENGINEER OF RECORD: H.A. LOCKLEAR DATE : 8/18/16

DOCUMENT NOT CONSIDERED
 FINAL UNLESS ALL
 SIGNATURES COMPLETED

REVISIONS						SHEET NO.	
NO.	BY:	DATE:	NO.	BY:	DATE:	S4-29	
1			3			TOTAL SHEETS	
2			4			33	