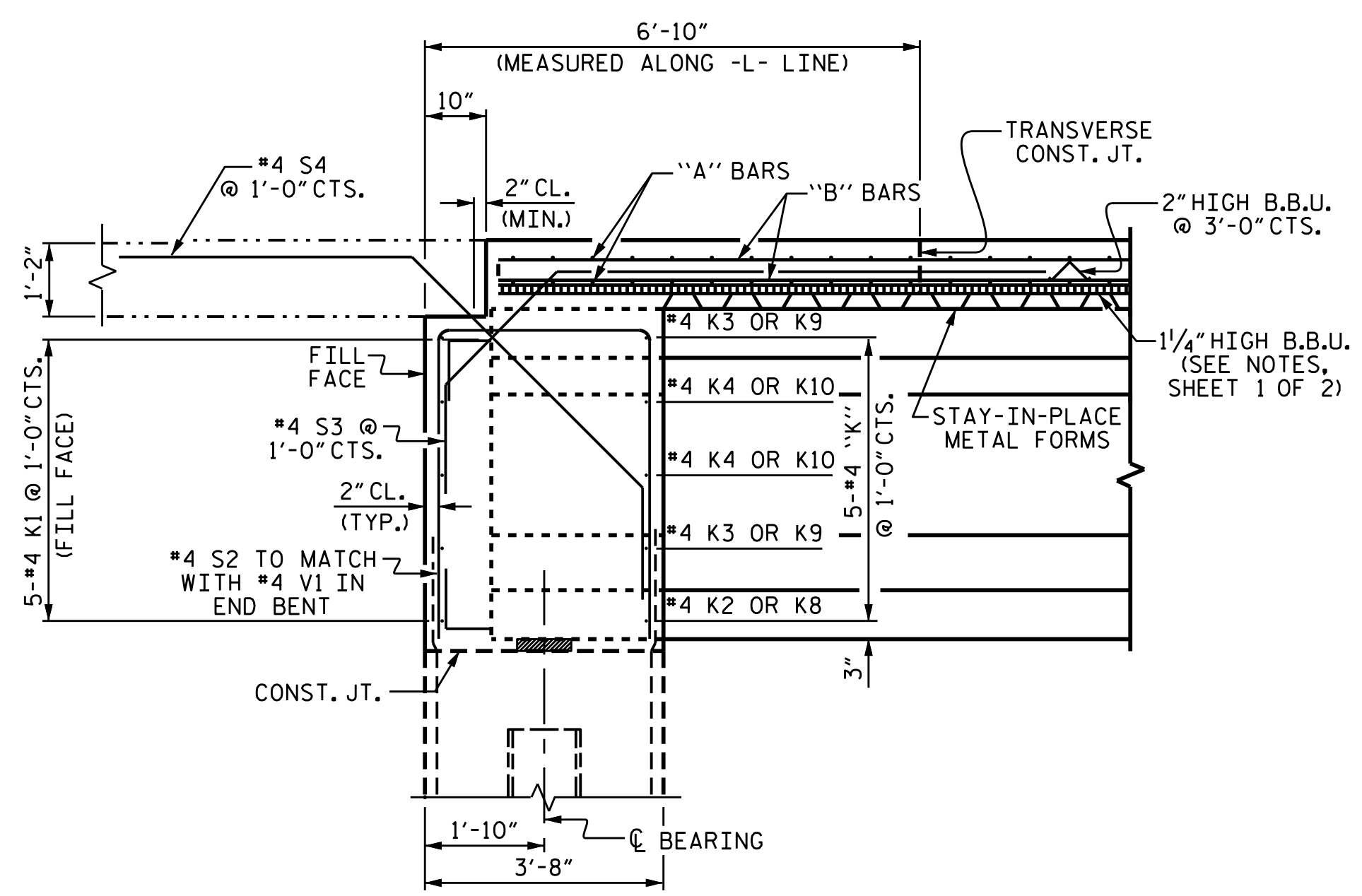
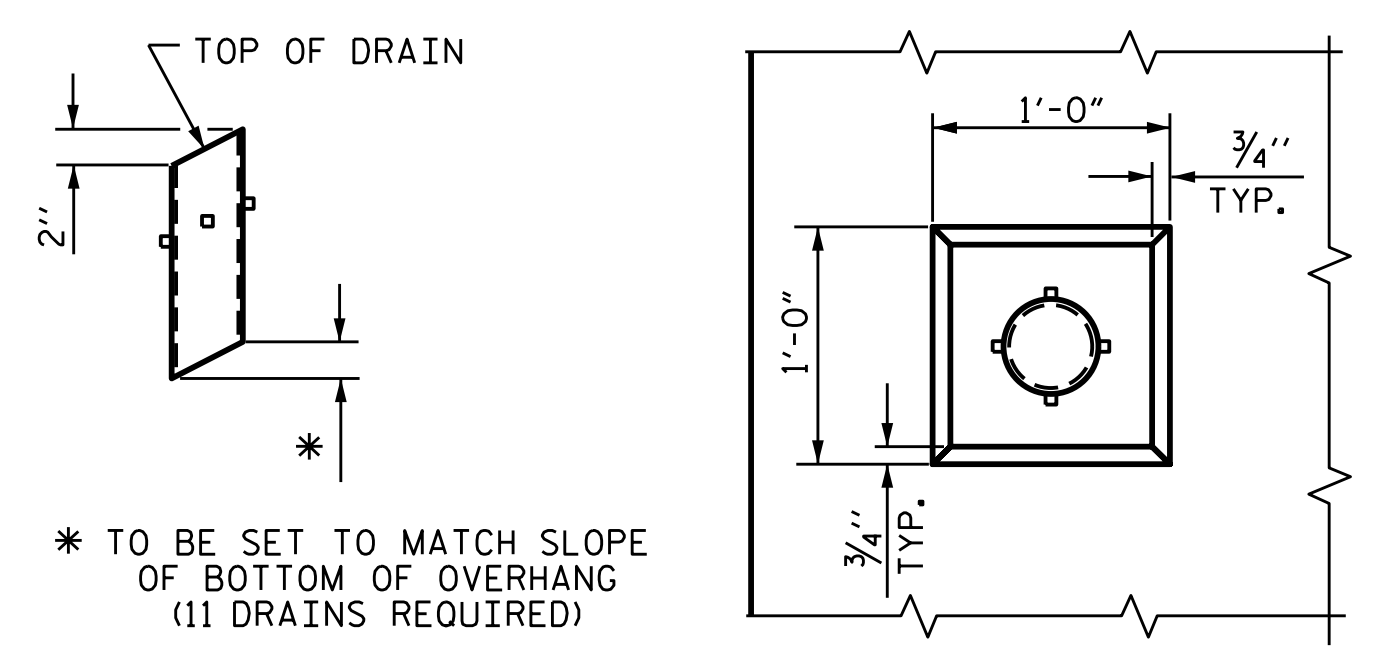


TYPICAL SECTION AT INTEGRAL END BENT



SECTION THROUGH INTEGRAL END BENT



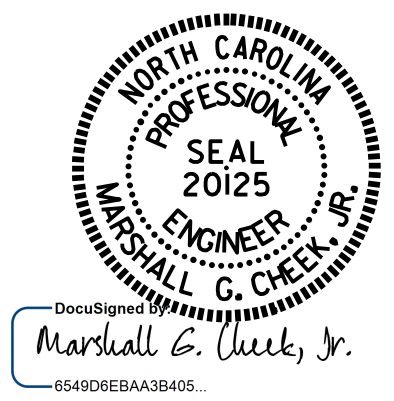
PIPE DETAIL PLAN OF RECESS

TOP OF FLOOR DRAINS TO BE SET 3/8" BELOW SURFACE OF SLAB.
 4 - 1/2" SQUARE LUGS TO BE GLUED TO THE P.V.C. PIPE AT EQUAL SPACES AROUND THE PIPE DRAIN APPROXIMATELY 4" FROM THE TOP OF THE PIPE.
 THE 6" Ø PVC PIPE AND FITTINGS SHALL BE SCHEDULE 40 AND CONFORM TO ASTM D1785.

DRAIN DETAILS

PROJECT NO. U-2579C
FORSYTH COUNTY
 STATION: 473+70.00 -L-

SHEET 2 OF 2



STATE OF NORTH CAROLINA
 DEPARTMENT OF TRANSPORTATION
 RALEIGH
 SUPERSTRUCTURE
 TYPICAL SECTION
 (LEFT LANE)

DRAWN BY: J. K. BOWLES DATE: 1/11/16
 CHECKED BY: N. D'AIUTO DATE: 3/17/16
 DESIGN ENGINEER OF RECORD: H. A. LOCKLEAR DATE: 3/17/16

DOCUMENT NOT CONSIDERED FINAL UNLESS ALL SIGNATURES COMPLETED

REVISIONS						SHEET NO.	
NO.	BY:	DATE:	NO.	BY:	DATE:	S3-6	
1			3			TOTAL SHEETS	33
2			4				