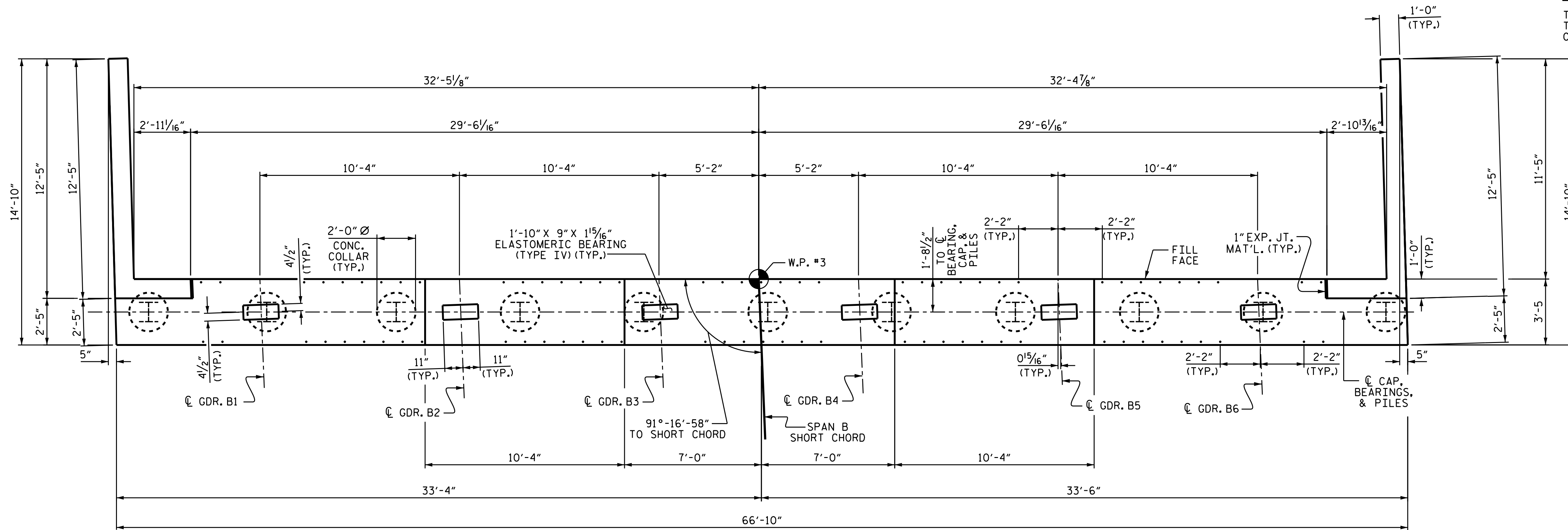
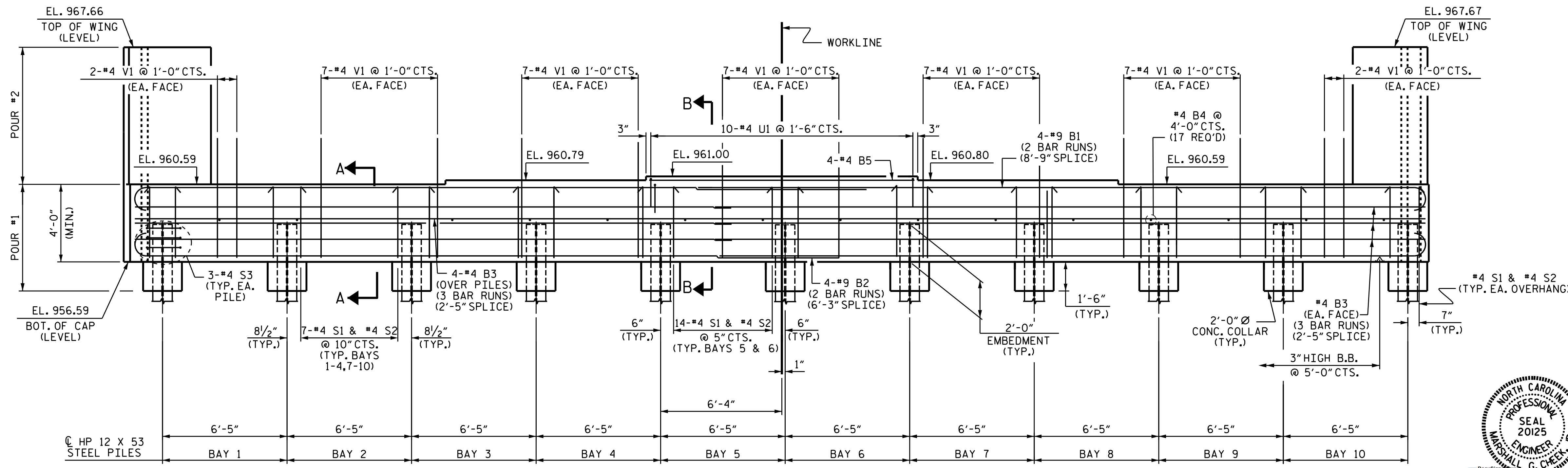


NOTES

THE TOP SURFACE OF THE END BENT CAP, EXCEPT THE BEARING AREA, SHALL BE RAKED TO A DEPTH OF 1/4".



PLAN



ELEVATION

PROJECT NO. U-2579C  
 FORSYTH COUNTY  
 STATION: 29+24.97 -Y1-  
 SHEET 1 OF 3



STATE OF NORTH CAROLINA  
 DEPARTMENT OF TRANSPORTATION  
 RALEIGH

SUBSTRUCTURE  
 INTEGRAL  
 END BENT 2

DRAWN BY : N.D. AIUTO DATE : 3/21/22  
 CHECKED BY : K.D. LAYNE DATE : 4/14/2016  
 DESIGN ENGINEER OF RECORD : H.A. LOCKLEAR DATE : 6/2017

DOCUMENT NOT CONSIDERED  
 FINAL UNLESS ALL  
 SIGNATURES COMPLETED

REVISIONS						SHEET NO.
NO.	BY:	DATE:	NO.	BY:	DATE:	S1-26
1			3			TOTAL SHEETS
2			4			32