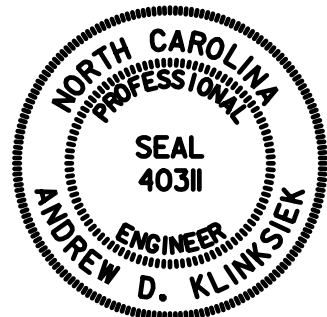


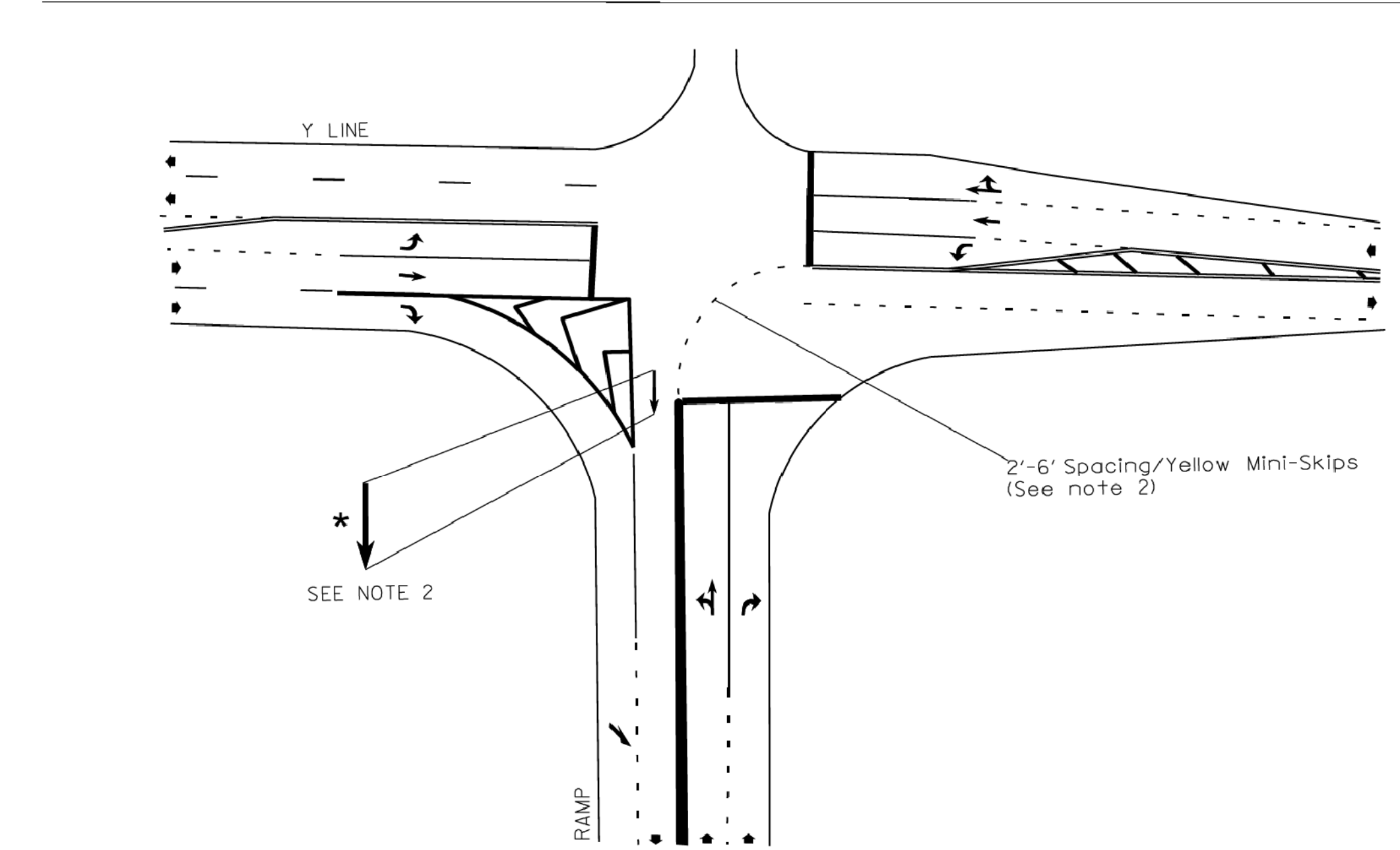
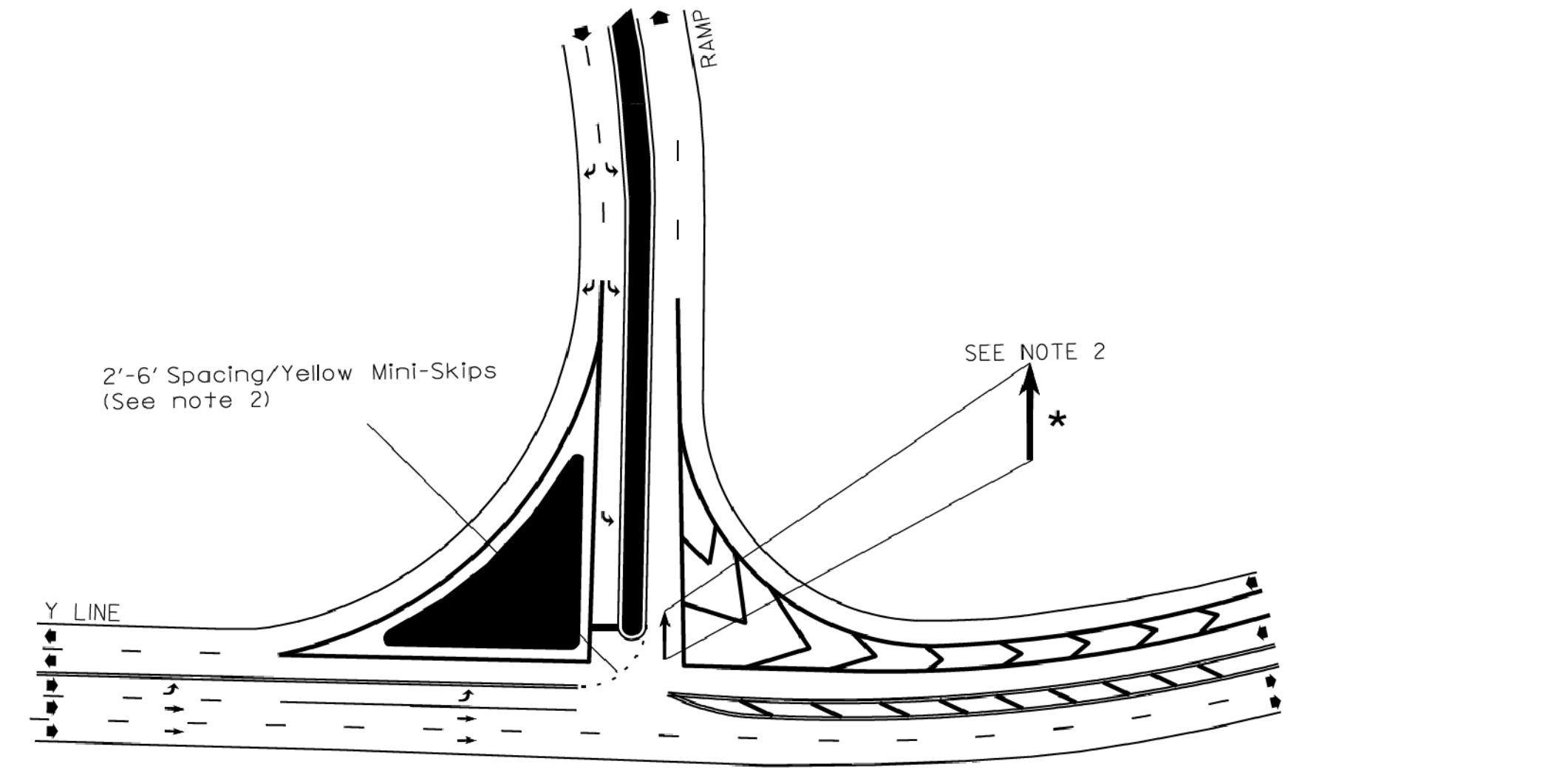
TIP NO. U-2579C	SHEET NO. PMP-2A
APPROVED: <i>Andrew D. Klinck</i> E3078F8459E44B	
DATE: 7/3/2017	
	
DOCUMENT NOT CONSIDERED FINAL UNLESS ALL SIGNATURES COMPLETED	

STATE OF NORTH CAROLINA  
 DEPT. OF TRANSPORTATION  
 DIVISION OF HIGHWAYS  
 RALEIGH, N.C.

**8-16**

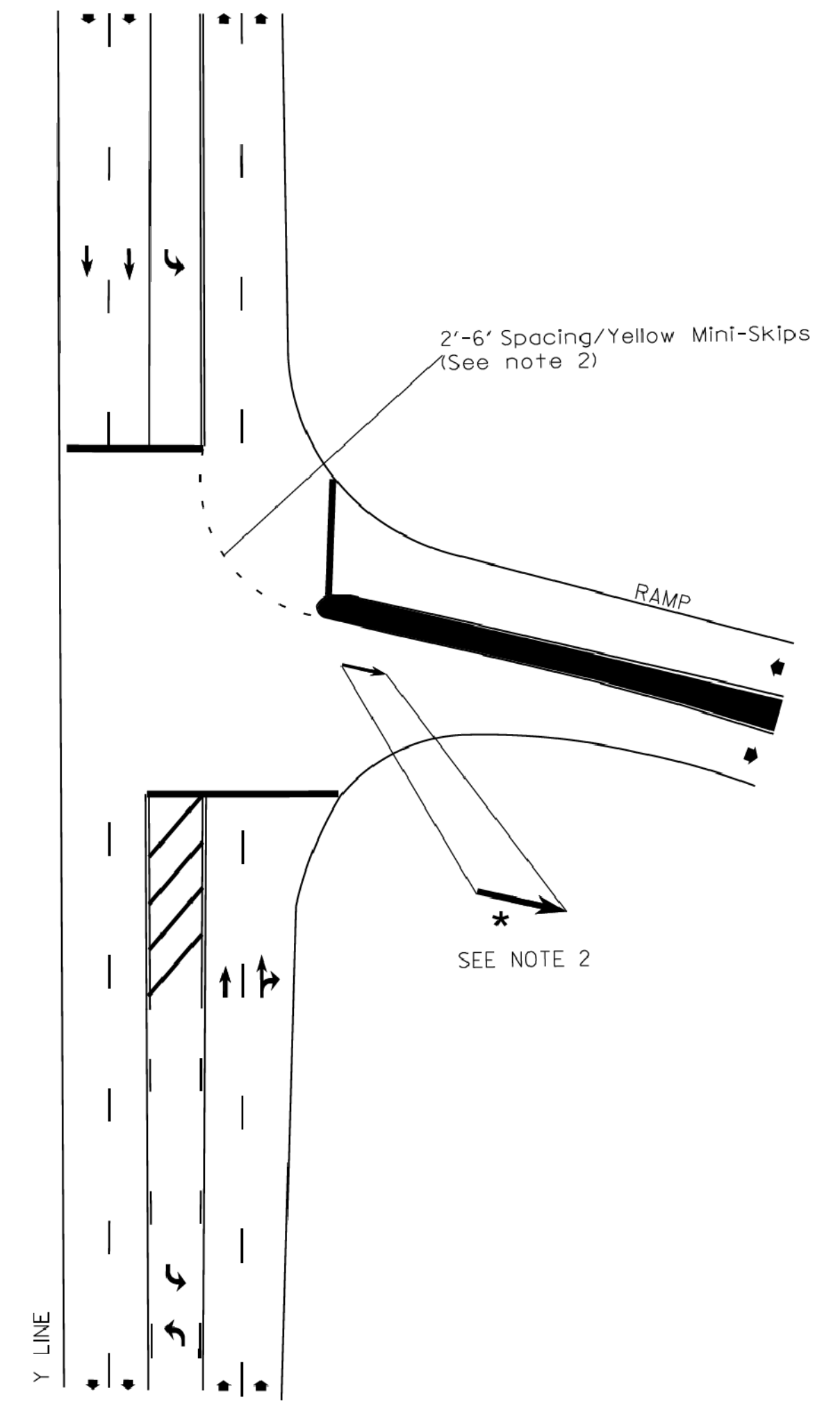
ENGLISH STANDARD DETAIL FOR  
**PAVEMENT MARKINGS**  
 SIDE-BY-SIDE ON/OFF RAMPS  
 PAVEMENT MARKING LANE TREATMENT

SHEET 1 OF 1



**NOTES:**

- REFER TO THE 2012 NCDOT ROADWAY STANDARD DRAWINGS AND THE PAVEMENT MARKING PLANS FOR ADDITIONAL PAVEMENT MARKING GUIDANCE ON THIS SHEET.
- PROPOSED YELLOW MINI-SKIPS AND ELONGATED STRAIGHT ARROW SYMBOL MATERIALS SHALL BE PER THE PAVEMENT MARKING PLAN OR AS DIRECTED BY THE ENGINEER. ELONGATED STRAIGHT ARROW SHALL BE APPROXIMATELY 12' LONG AND SHALL BE PAID AS A SYMBOL.



LEGEND	
	DIRECTION OF TRAFFIC FLOW
	PAVEMENT MARKING SYMBOLS
	OPTIONAL

STATE OF NORTH CAROLINA  
 DEPT. OF TRANSPORTATION  
 DIVISION OF HIGHWAYS  
 RALEIGH, N.C.

**8-16**

ENGLISH STANDARD DETAIL FOR  
**PAVEMENT MARKINGS**  
 SIDE-BY-SIDE ON/OFF RAMP  
 PAVEMENT MARKING LANE TREATMENT

SHEET 1 OF 1

I:\0616\_PM  
 \PMP\U2579C\_PMP\_02.rsd.dgn  
 HNTB

**HNTB** HNTB NORTH CAROLINA, P.C.  
 343 E. SIX FORKS ROAD, SUITE 200  
 RALEIGH, NORTH CAROLINA 27609  
 NC License No: C-1554  
 (919) 546-8997

**PAVEMENT MARKINGS**  
 SIDE BY SIDE ON/OFF RAMP  
 PAVEMENT MARKING LANE TREATMENT