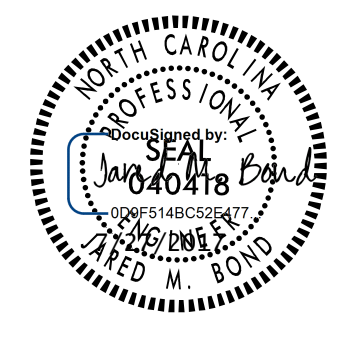

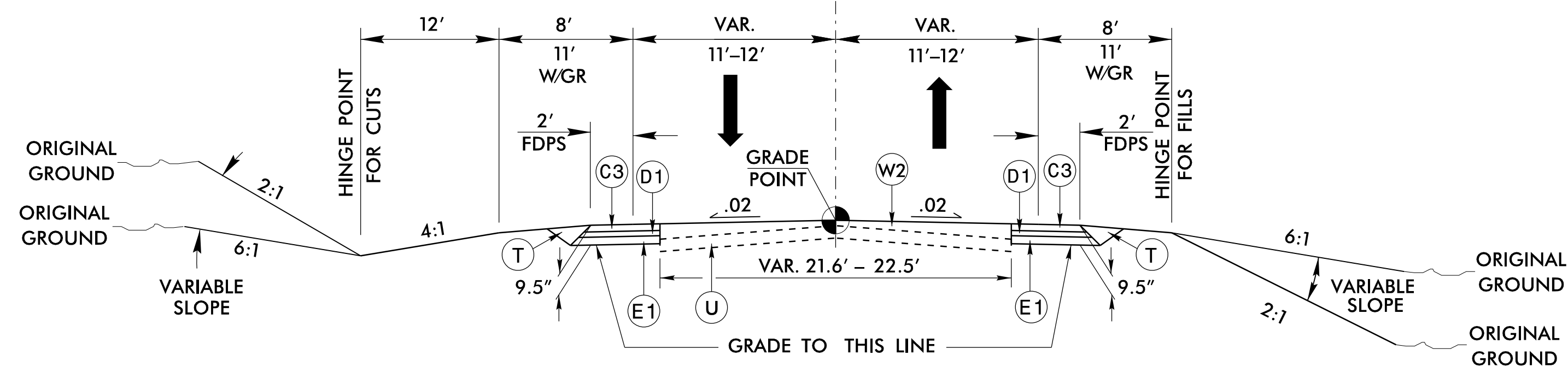


PROJECT REFERENCE NO. U-2579C	SHEET NO. 2A-6
RW SHEET NO.	
ROADWAY DESIGN ENGINEER	PAVEMENT ENGINEER
	
<b>DOCUMENT NOT CONSIDERED FINAL UNLESS ALL SIGNATURES COMPLETED</b>	

CL -Y2- (SR 2381 / WILLISTON RD.)

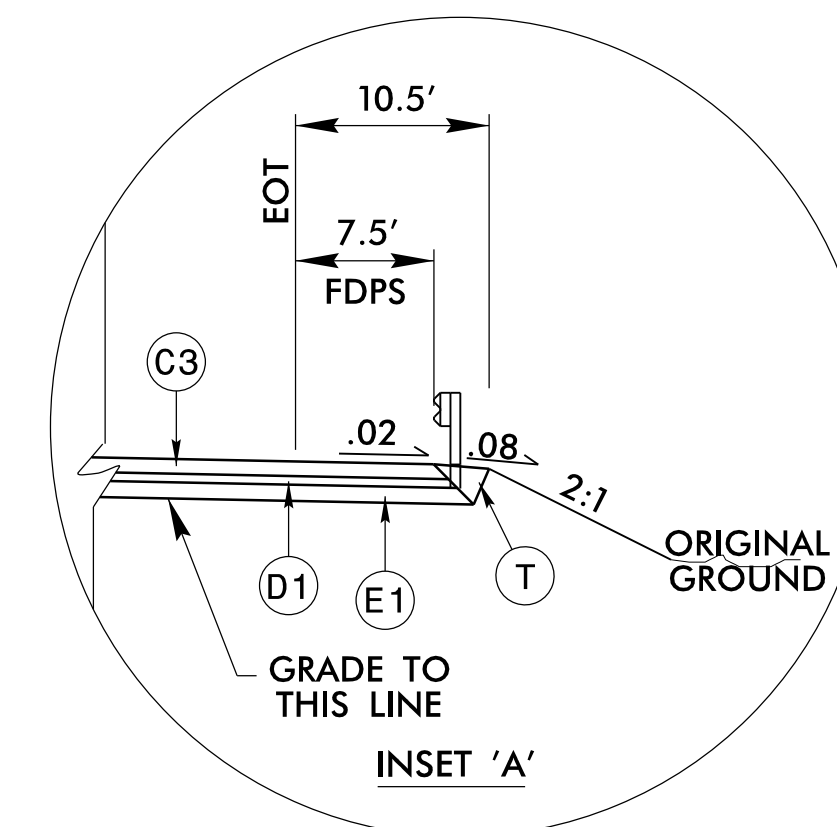


**TYPICAL SECTION NO. 11**

**USE TYPICAL SECTION NO. 11:**

-Y2- STA. 10+00.00 TO STA. 16+75.00  
-Y2- STA. 23+25.00 TO STA. 26+50.00

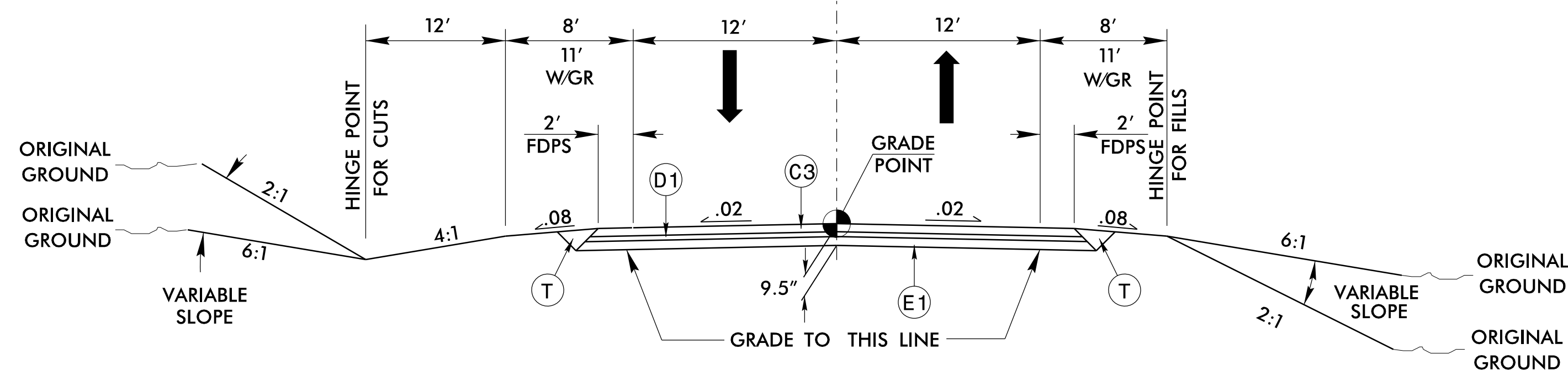
**INSET FOR SHOULDER WIDENING  
FOR FUTURE SIDEWALK  
-Y2- (US 158 / WILLISTON RD.)**



C3	3" S9.5B
D1	2.5" I19.0B
E1	4" B25.0B
T	EARTH MATERIAL
U	EXISTING PAVEMENT
W2	WEDGING



CL -Y2- (SR 2381 / WILLISTON RD.)



**TYPICAL SECTION NO. 12**

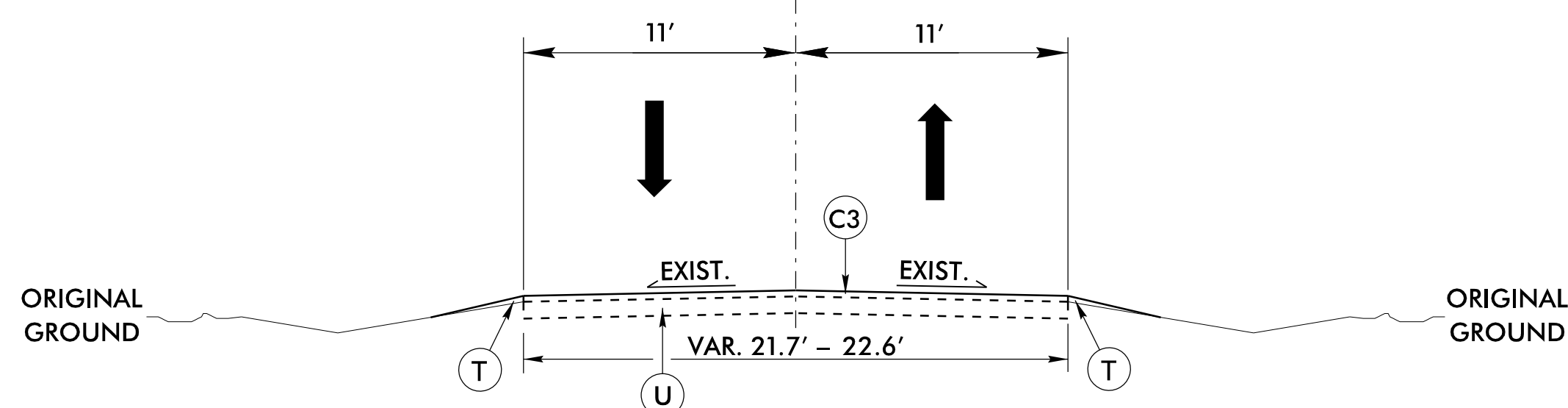
**USE TYPICAL SECTION NO. 12:**

-Y2- STA. 16+75.00 TO STA. 20+18.77 (BEGIN BRIDGE)  
-Y2- STA. 22+40.02 (END BRIDGE) TO STA. 23+25.00

**INSET 'A' RT OF CENTERLINE**

USE IN CONJUNCTION WITH TYPICAL SECTION NO. 11 & 12  
-Y2- STA. 17+15.30 TO STA. 20+18.77 (BEGIN BRIDGE)  
-Y2- STA. 22+40.02 (END BRIDGE) TO STA. 23+87.05

CL -Y2- (SR 2381 / WILLISTON RD.)



**TYPICAL SECTION NO. 13**

**USE TYPICAL SECTION NO. 13:**

-Y2- STA. 26+50.00 TO STA. 28+00.00