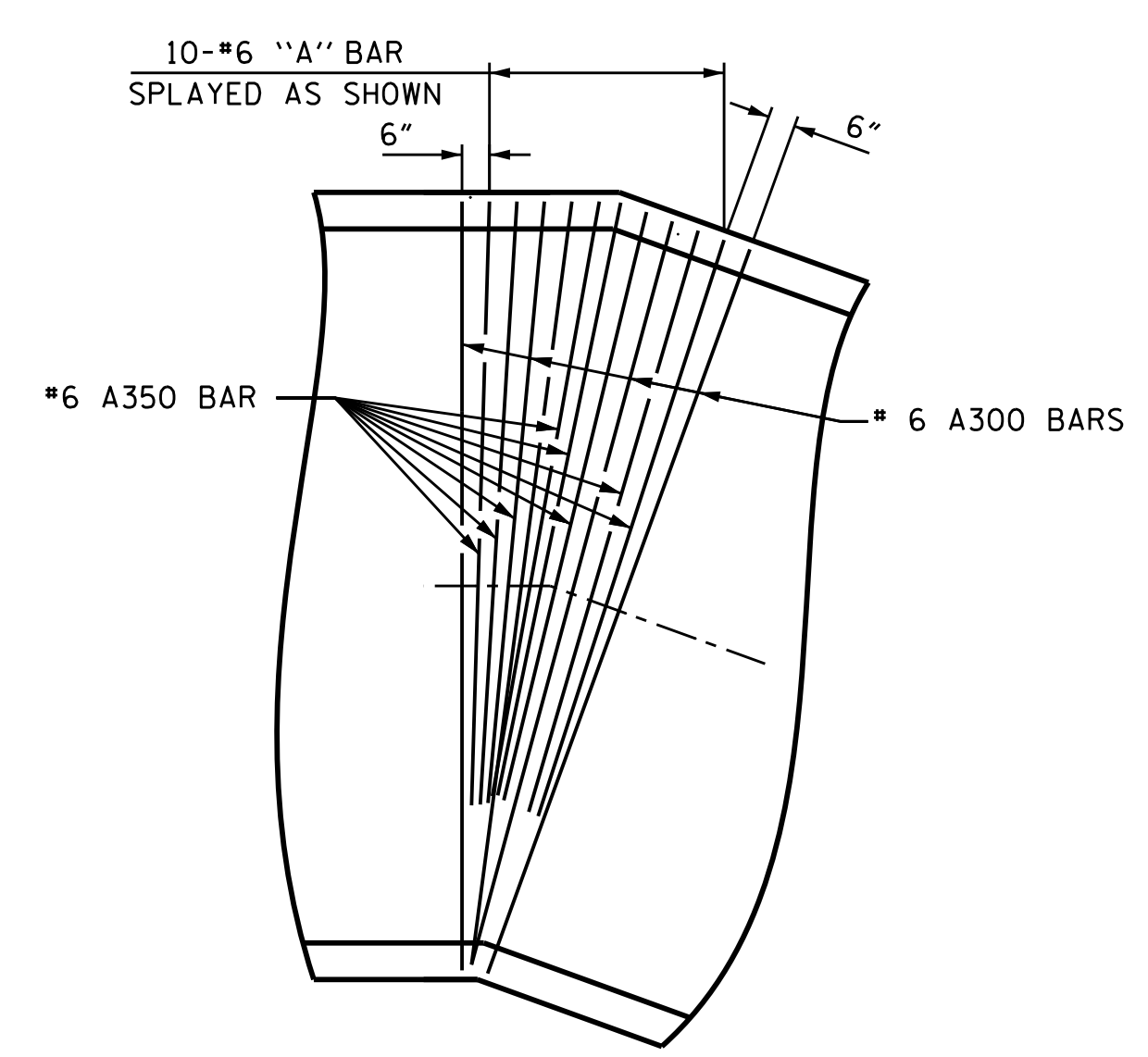


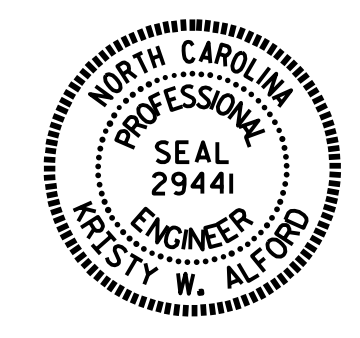
PLAN OF ROOF SLAB
 C2 BARS SHALL BE FIELD BENT AS NECESSARY.



DETAIL A

PROJECT NO. B-5347
ALAMANCE COUNTY
 STATION: 14+14.00 -L-

SHEET 3 OF 8



STATE OF NORTH CAROLINA
 DEPARTMENT OF TRANSPORTATION
 RALEIGH
SINGLE 13' X 7'
CONCRETE BOX CULVERT
ROOF SLAB DETAILS

DRAWN BY : K.W. ALFORD DATE : 3/17
 CHECKED BY : J.D. HAWK DATE : 3/17
 DESIGN ENGINEER OF RECORD: K.W. ALFORD DATE : 3/17

DOCUMENT NOT CONSIDERED
 FINAL UNLESS ALL
 SIGNATURES COMPLETED

REVISIONS						SHEET NO.
NO.	BY:	DATE:	NO.	BY:	DATE:	C-3
1			3			TOTAL SHEETS
2			4			8