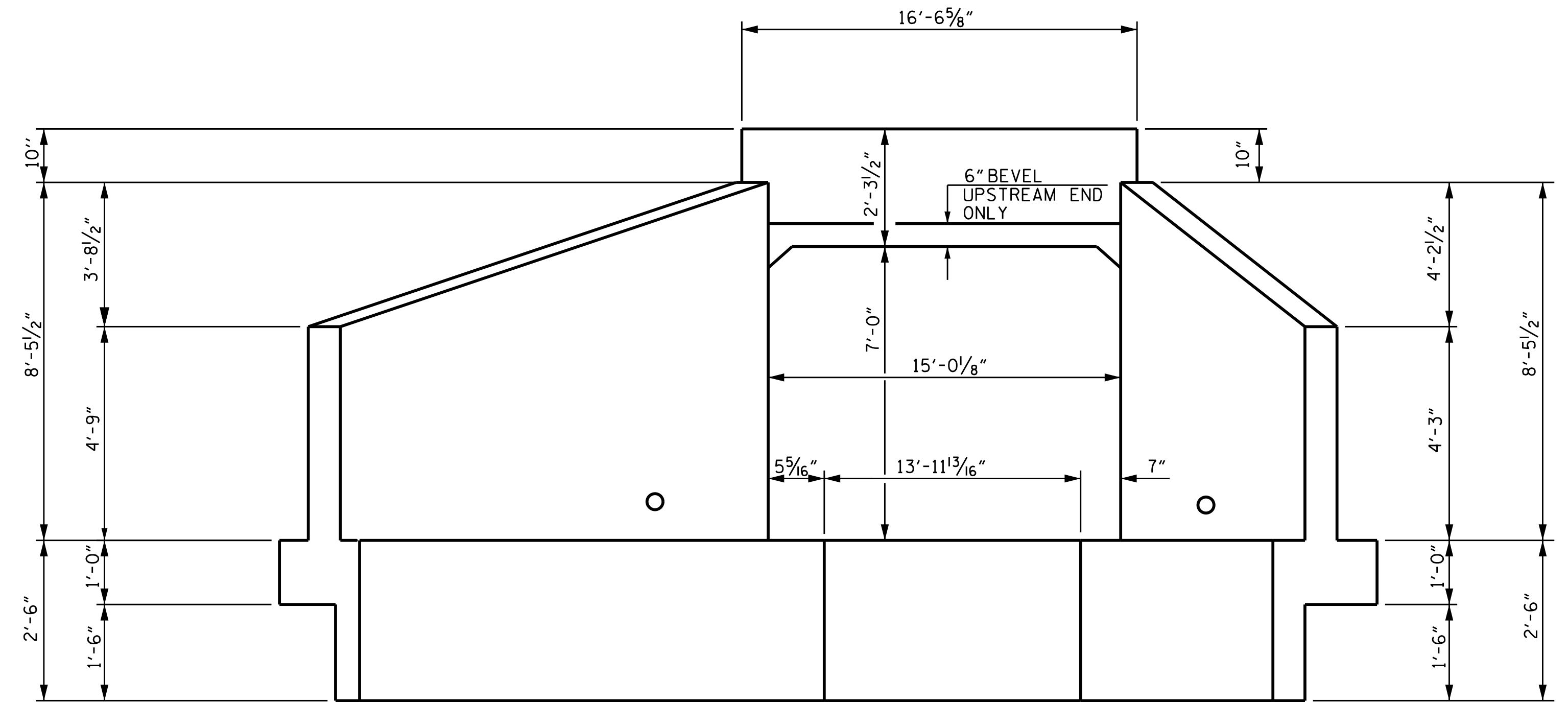


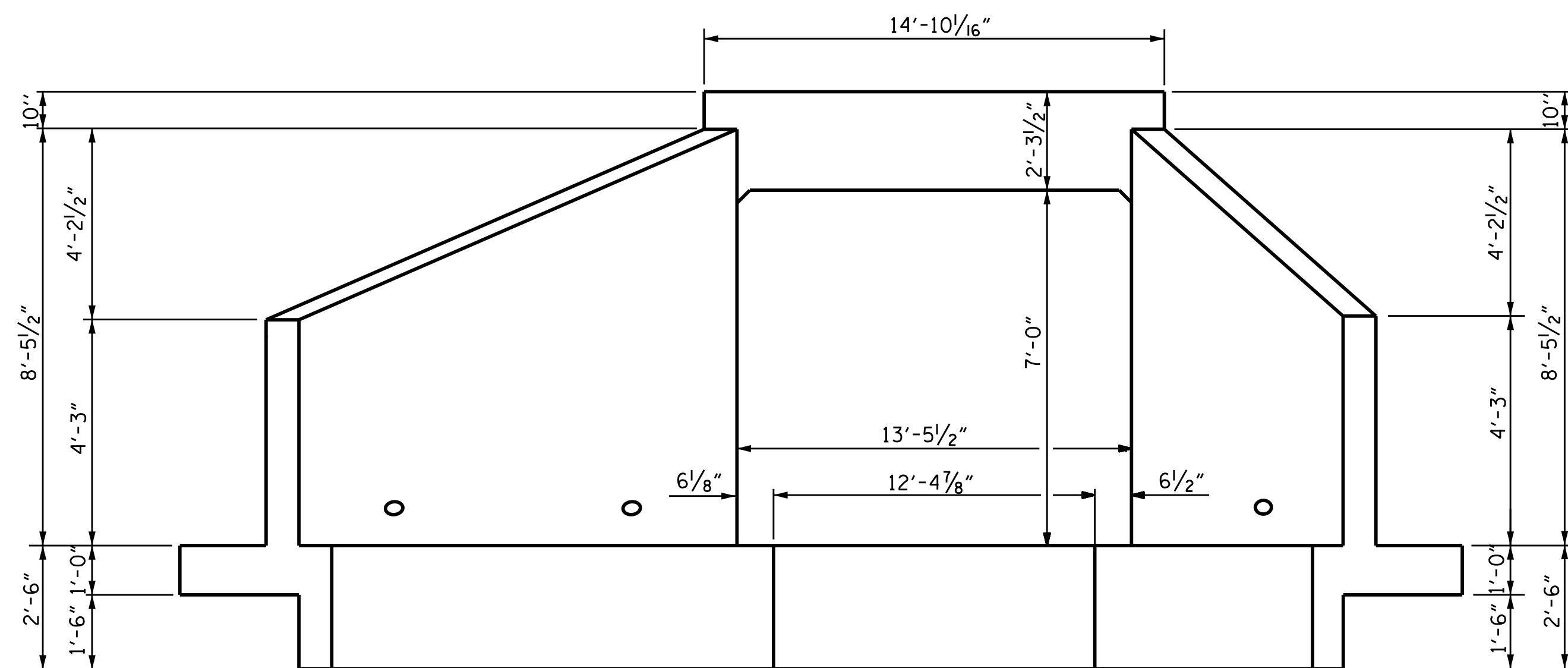
CULVERT SECTION NORMAL TO ROADWAY

OUTLET WINGS SHALL BE BUILT AS STAGE III CONSTRUCTION



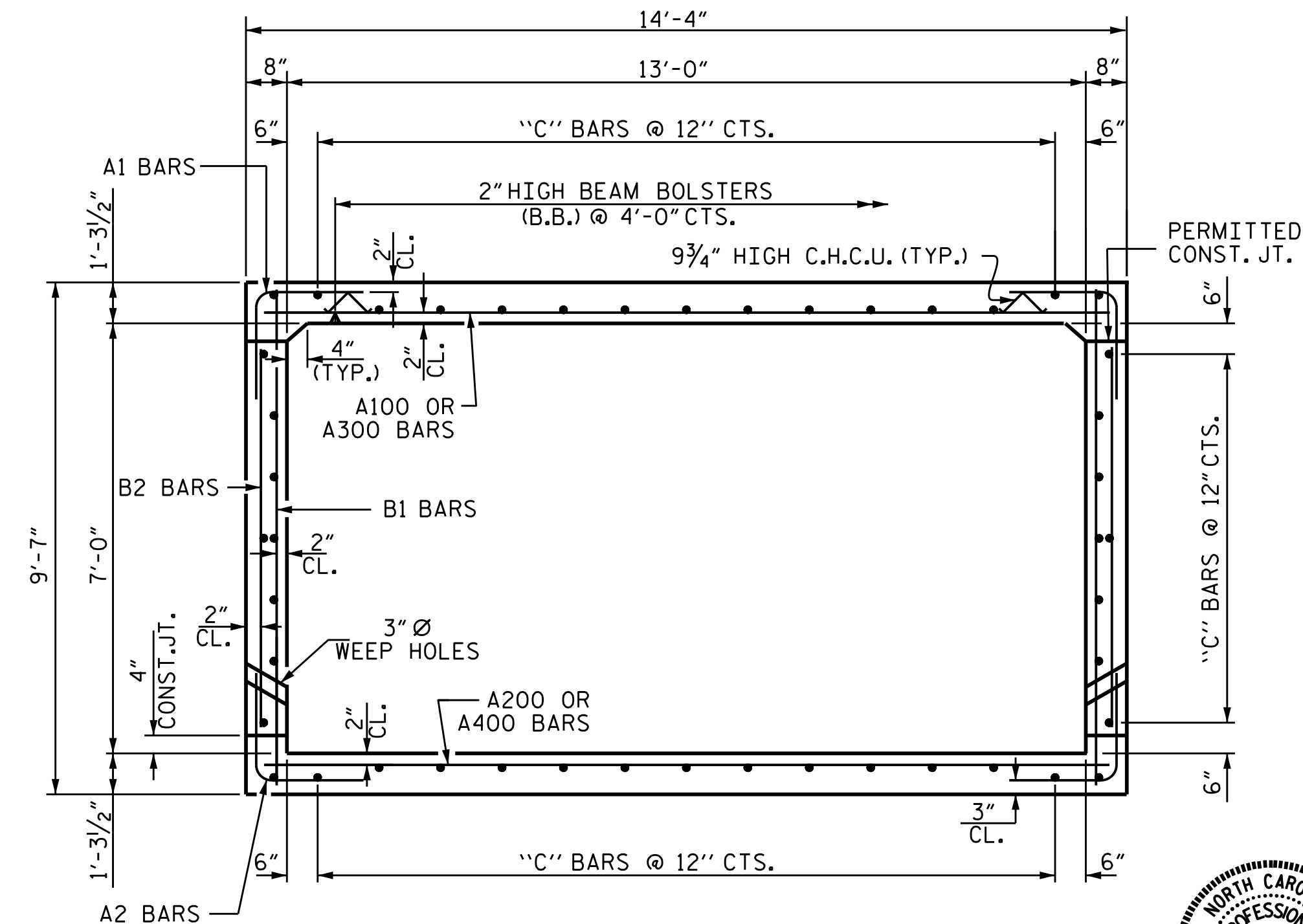
INLET END ELEVATION NORMAL TO SKEW

LOOKING DOWNSTREAM



OUTLET END ELEVATION

LOOKING UPSTREAM



RIGHT ANGLE SECTION OF BARREL

THERE ARE 46 "C" BARS IN SECTION OF BARREL

PROJECT NO. B-5347

ALAMANCE COUNTY

STATION: 14+14.00 -L-

SHEET 2 OF 8

STATE OF NORTH CAROLINA
DEPARTMENT OF TRANSPORTATION
RALEIGH

**SINGLE 13 FT. X 7 FT.
CONCRETE BOX CULVERT
105° SKEW**



DocuSigned by:
K. W. Alford
9/25/2017

DRAWN BY: GHOLAMREZA KOUCHEKI DATE: 8/16
CHECKED BY: K.W. ALFORD DATE: 3/17
DESIGN ENGINEER OF RECORD: GHOLAMREZA KOUCHEKI DATE: 3/17

DOCUMENT NOT CONSIDERED
FINAL UNLESS ALL
SIGNATURES COMPLETED

REVISIONS						SHEET NO.
NO.	BY:	DATE:	NO.	BY:	DATE:	C-2
1			3			TOTAL SHEETS
2			4			8