

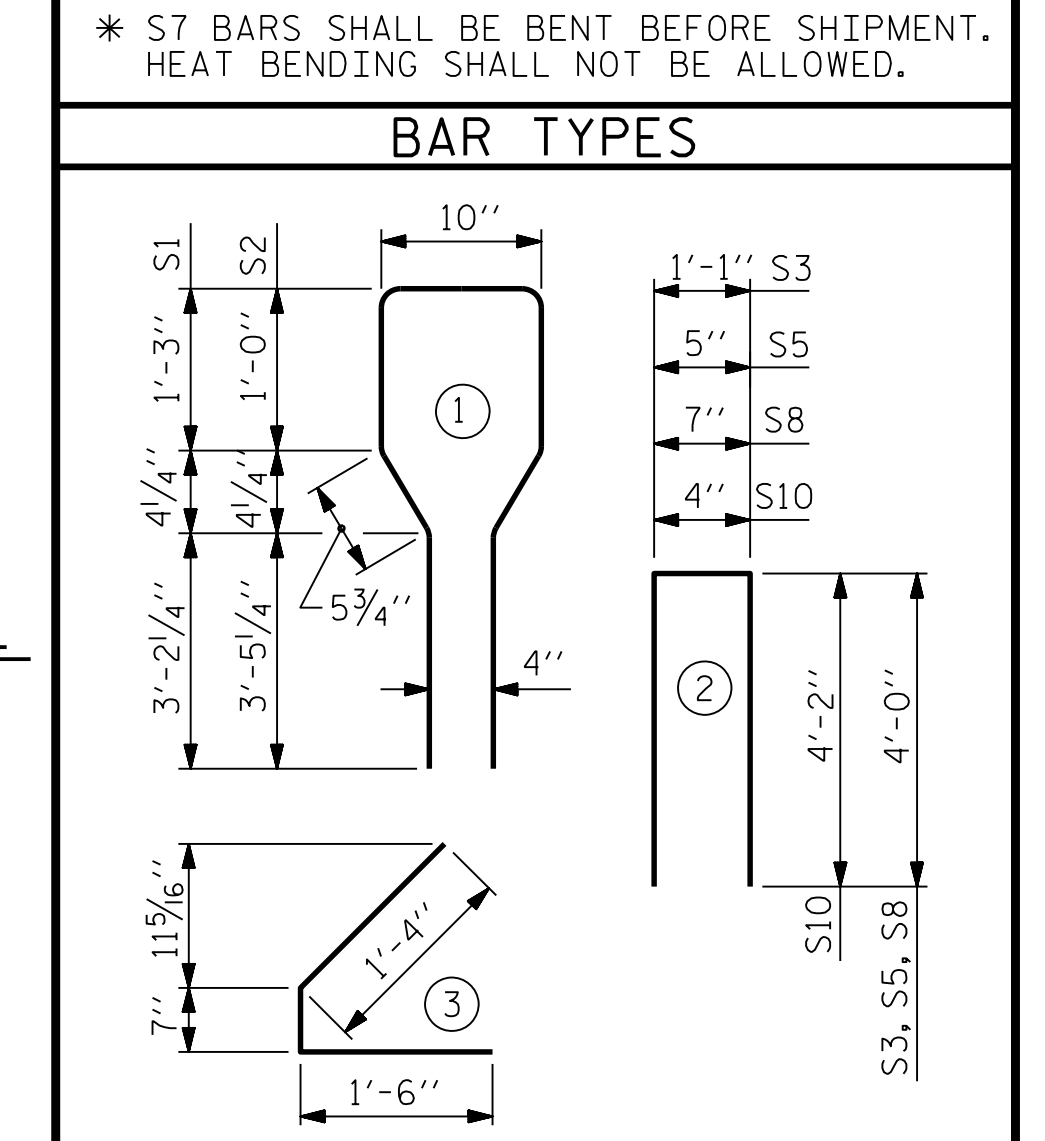
**0.6" Ø L. R. GRADE 270 STRANDS**

AREA (SQUARE INCHES)	ULTIMATE STRENGTH (LBS. PER STRAND)	APPLIED PRESTRESS (LBS. PER STRAND)
0.217	58,600	43,950

**REINFORCING STEEL FOR ONE GIRDER**

BAR	NUMBER	SIZE	TYPE	LENGTH	WEIGHT
S1	71	#4	1	10'-8"	506
S2	18	#6	1	10'-8"	288
S3	4	#4	2	9'-1"	24
S4	100	#4	3	3'-5"	228
S5	6	#4	2	8'-5"	34
*S7	18	#5	STR	3'-8"	69
S8	4	#4	2	8'-7"	23
S9	2	#3	STR	1'-10"	1
S10	2	#5	2	8'-8"	18
S11	5	#4	STR	7'-0"	23
S12	1	#3	STR	1'-4"	1

\* S7 BARS SHALL BE BENT BEFORE SHIPMENT. HEAT BENDING SHALL NOT BE ALLOWED.

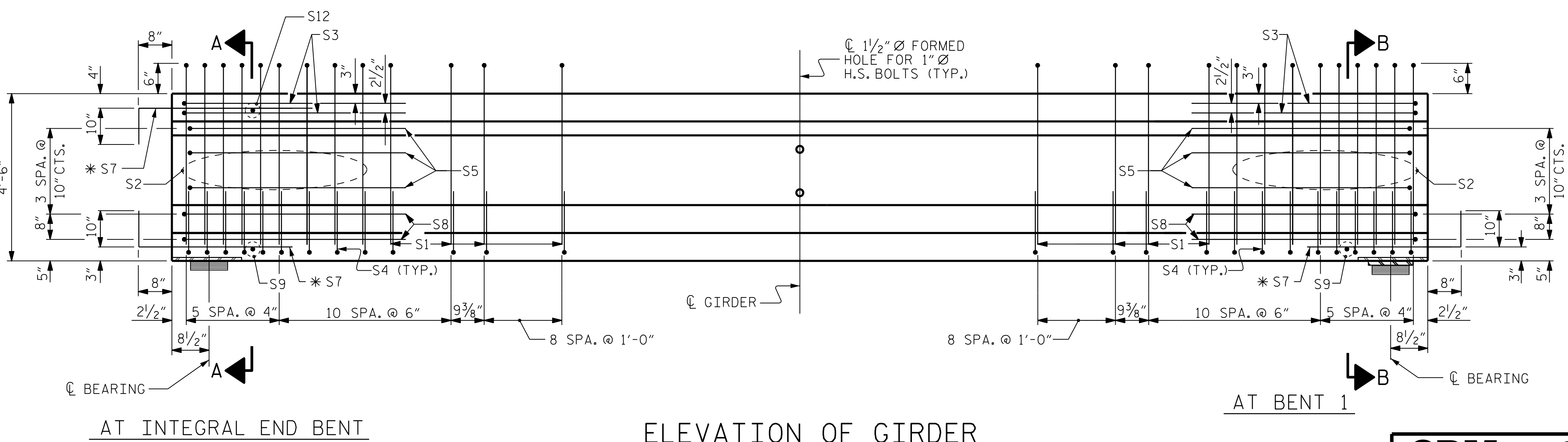
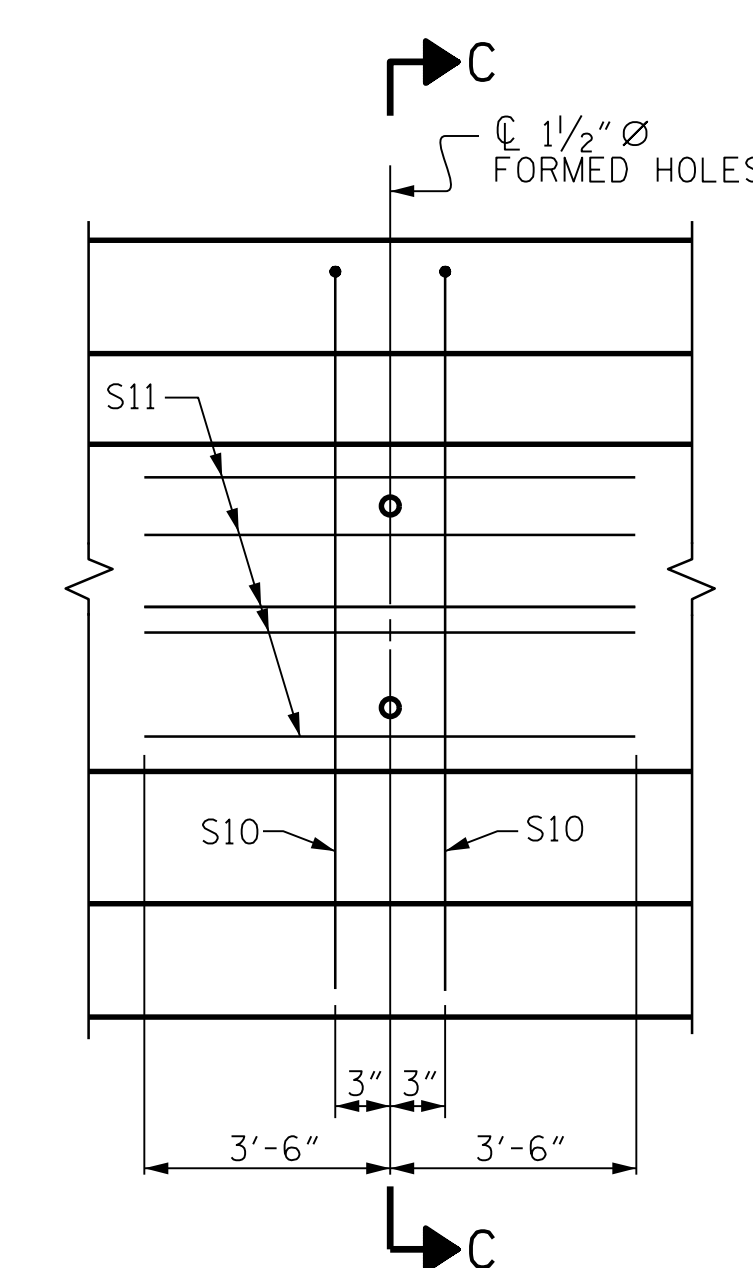
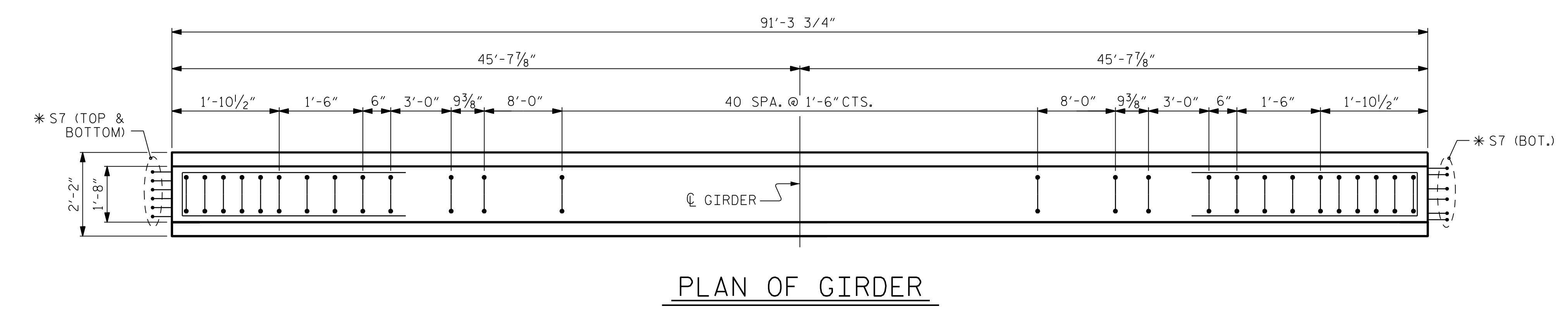


**QUANTITIES FOR ONE GIRDER**

REINFORCING STEEL LB.	7,500 PSI CONCRETE C.Y.	0.6" Ø L. R. STRANDS No.
1217	18.5	36

**GIRDERS REQUIRED**

NUMBER	LENGTH	TOTAL LENGTH
SPAN A	4	91.31
SPAN B	4	91.31
TOTAL	8	730.50



PROJECT NO. R-5752  
ROBESON COUNTY  
 STATION: 30+39.23 -Y-  
 SHEET 1 OF 2

STATE OF NORTH CAROLINA  
 DEPARTMENT OF TRANSPORTATION  
 RALEIGH

STANDARD  
 AASHTO TYPE IV  
 PRESTRESSED CONCRETE GIRDER  
 CONTINUOUS FOR LIVE LOAD  
 SPANS A & B

REVISIONS

NO.	BY:	DATE:	NO.	BY:	DATE:
1			3		
2			4		

SHEET NO. **S-10**  
 TOTAL SHEETS **24**

**CDM Smith**  
 CDM SMITH  
 5400 Glenwood Avenue, Suite 400  
 Raleigh, NC 27612-3228  
 NC COA No. F-1255

DRAWN BY: A.L. STROUD DATE: 03/17  
 CHECKED BY: J.B. TAYLOR DATE: 03/17  
 DESIGN ENGINEER: J.B. TAYLOR DATE: 03/17

DWG. No.

DOCUMENT NOT CONSIDERED FINAL UNLESS ALL SIGNATURES COMPLETED

7/10/2017

**SEAL**  
 33698  
 ENGINEER  
 JOSHUA B. TAYLOR

DocuSigned by: Joshua B. Taylor

FILE: c:\cdm\sm\proj\031717\01\_019\_85752\_SMU\_GI\_010\_770512.dgn  
 DATE: 7/10/2017 2:10:59 PM