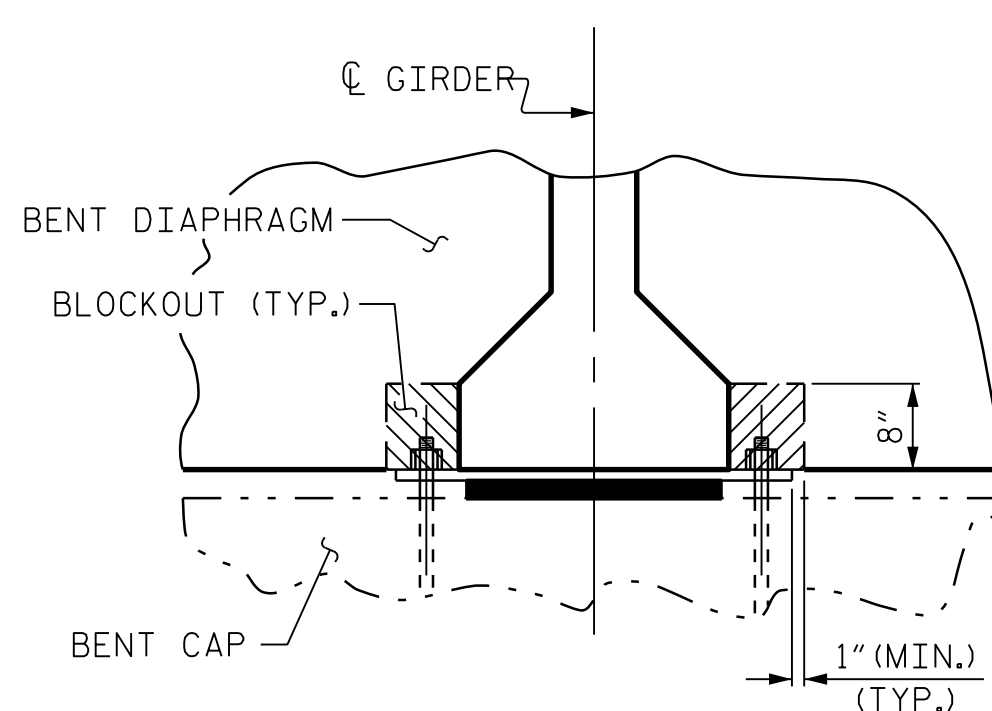
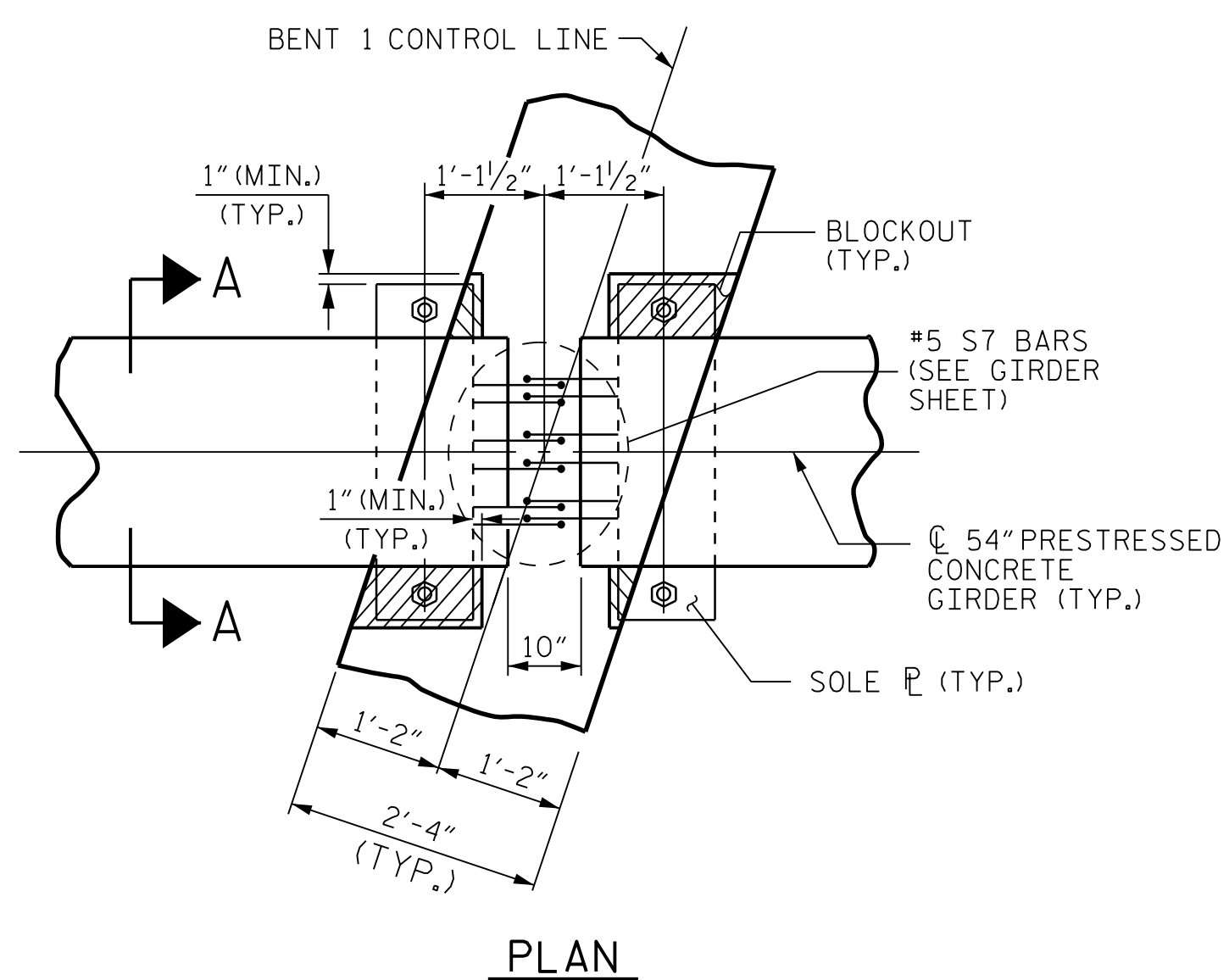


SECTION THRU INTEGRAL END BENT

* THE TOP SURFACE OF THE END BENT CAP AND LOWER WINGS, EXCLUDING THE BEARING AREA, SHALL BE RAKED TO A DEPTH OF 1/4"

** #4 S5 LOCATED AT OUTSIDE OF INTEGRAL END BENT DIAPHRAGM. SEE PLAN OF SPANS AND TYPICAL SECTION FOR PLACEMENT DETAILS.



BENT DIAPHRAGM BLOCK-OUT DETAIL

PROJECT NO. R-5752
ROBESON COUNTY
 STATION: 30+39.23 -Y-

SHEET 2 OF 2

STATE OF NORTH CAROLINA
 DEPARTMENT OF TRANSPORTATION
 RALEIGH

SUPERSTRUCTURE
 TYPICAL SECTION
 DETAILS

REVISIONS

NO.	BY:	DATE:	NO.	BY:	DATE:	SHEET NO.
1			3			S-06
2			4			TOTAL SHEETS 24

CDM Smith
 CDM SMITH
 5400 Glenwood Avenue, Suite 400
 Raleigh, NC 27612-3228
 NC COA No. F-1255

DWG. No. _____
 DRAWN BY : A.L. STROUD DATE : 03/17
 CHECKED BY : J.B. TAYLOR DATE : 03/17
 DESIGN ENGINEER : J.B. TAYLOR DATE : 03/17

DOCUMENT NOT CONSIDERED
 FINAL UNLESS ALL
 SIGNATURES COMPLETED

7/16/2017
 SEAL
 33698
 ENGINEER
 JOSHUA B. TAYLOR
 Joshua B. Taylor