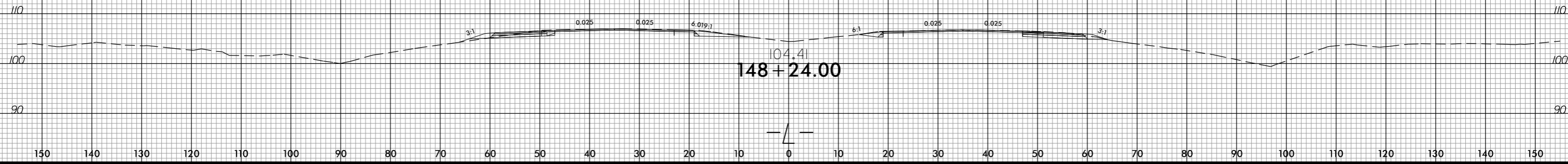


6/23/16

0 5 10	PROJ. REFERENCE NO.	SHEET NO.
	R-5752	X-36

150 140 130 120 110 100 90 80 70 60 50 40 30 20 10 0 10 20 30 40 50 60 70 80 90 100 110 120 130 140 150



-SYSTEM-
 j:\R00000000\XSC\RS752_Rdu_xpl.dgn
 USER:PERSTANK