

04-MAY-2017 14:54
 S:\Contracts\2012\Special Details\Standard Drawings\2012 Standard Drawings\Details in Lieu of Standards\Division 8\62d03\62d03\62d03.dgn
 J:\howerton\N\ CSP-24293

STATE OF
 NORTH CAROLINA
 DEPT. OF TRANSPORTATION
 DIVISION OF HIGHWAYS
 RALEIGH, N.C.

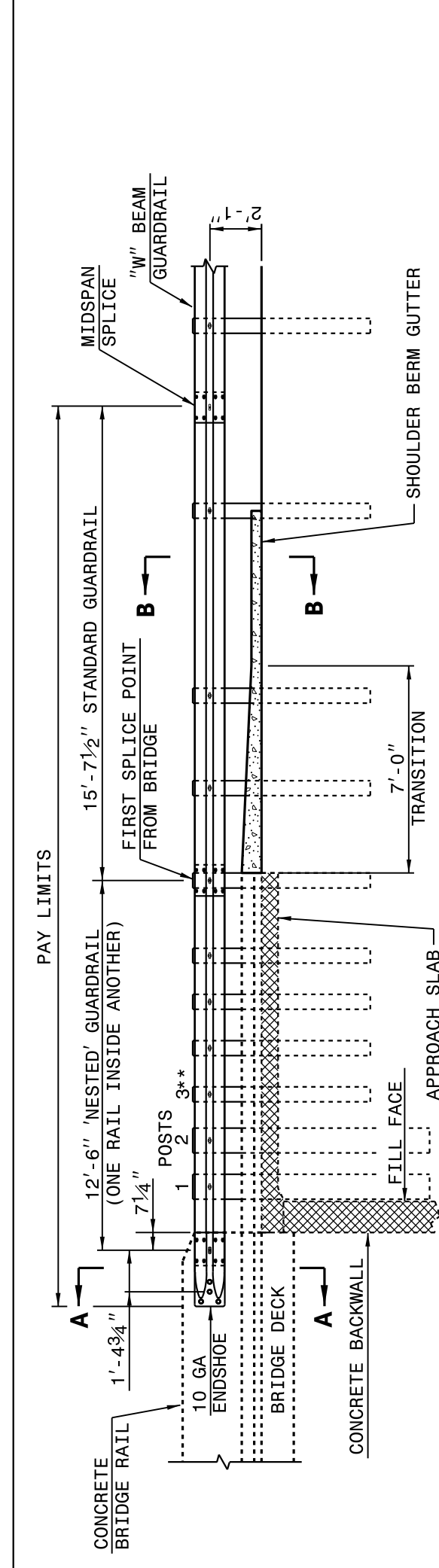
ROADWAY DETAIL DRAWING FOR
STRUCTURE ANCHOR UNITS
 GUARDRAIL ANCHOR UNIT TYPE B-83

SHEET 6 OF 7
862D03

STATE OF
 NORTH CAROLINA
 DEPT. OF TRANSPORTATION
 DIVISION OF HIGHWAYS
 RALEIGH, N.C.

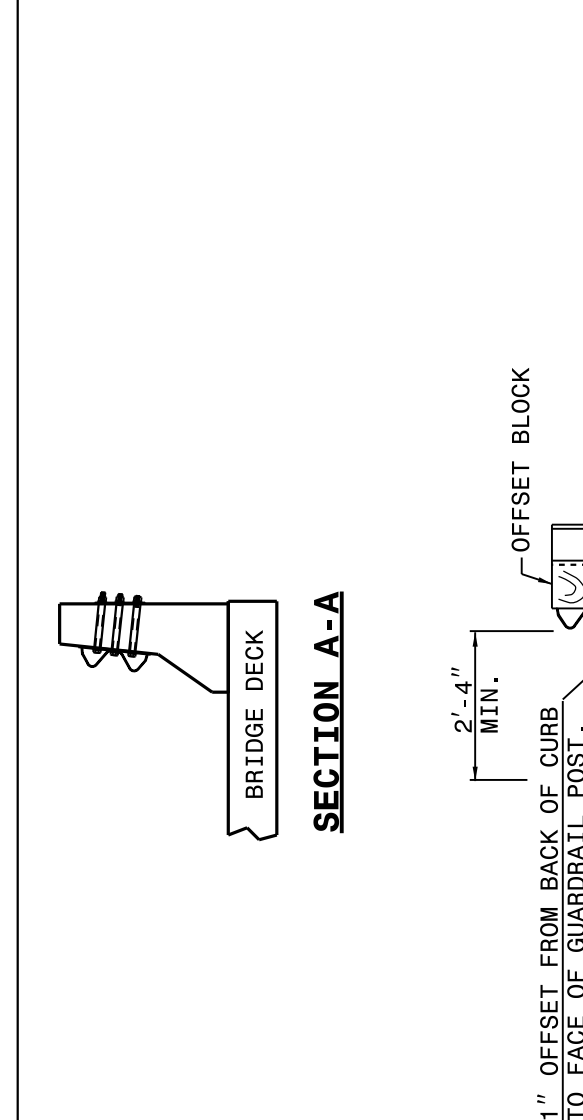
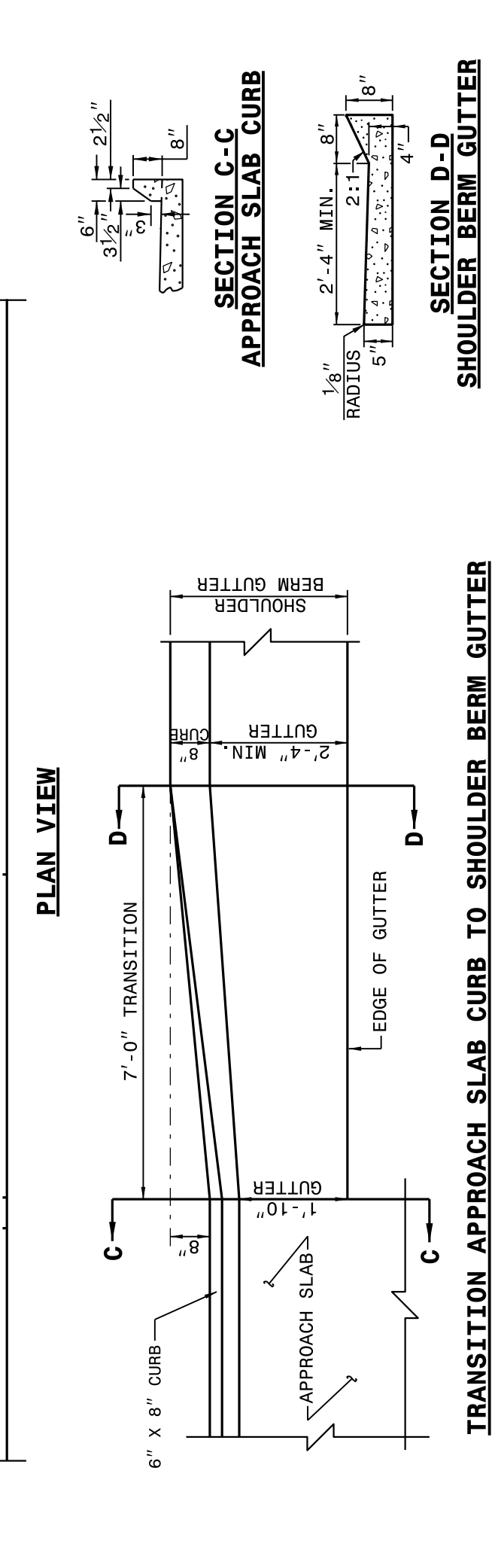
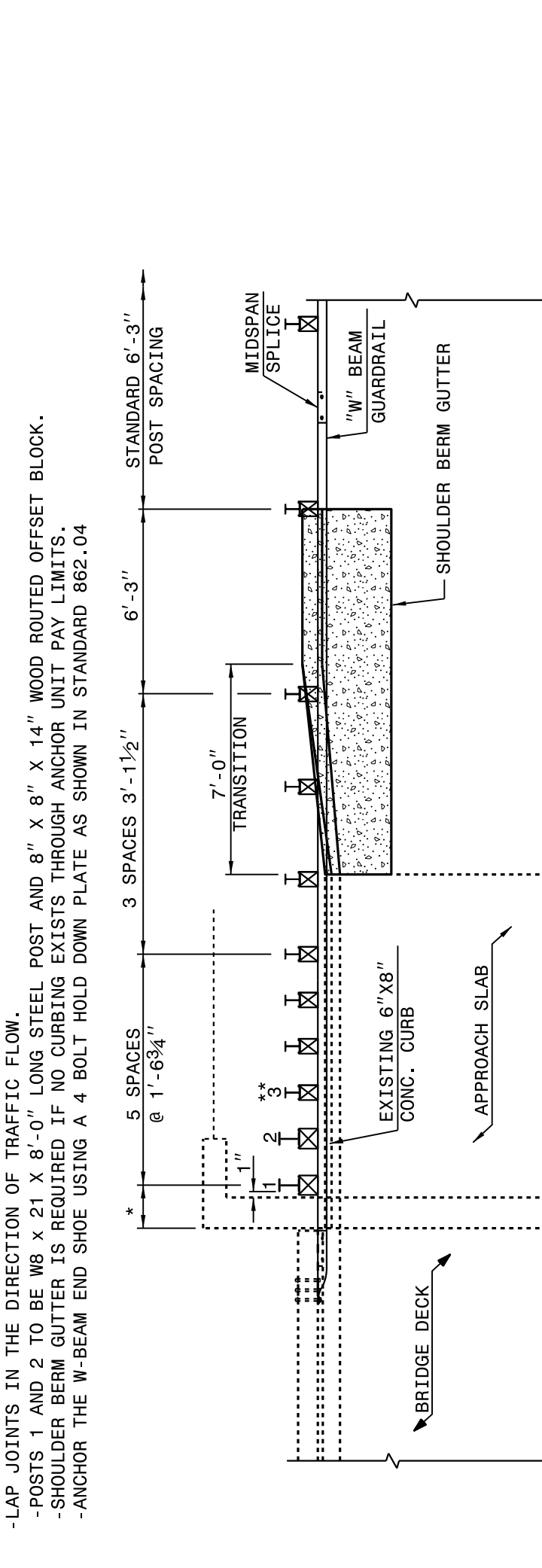
ROADWAY DETAIL DRAWING FOR
STRUCTURE ANCHOR UNITS
 GUARDRAIL ANCHOR UNIT TYPE B-83

SHEET 6 OF 7
862D03

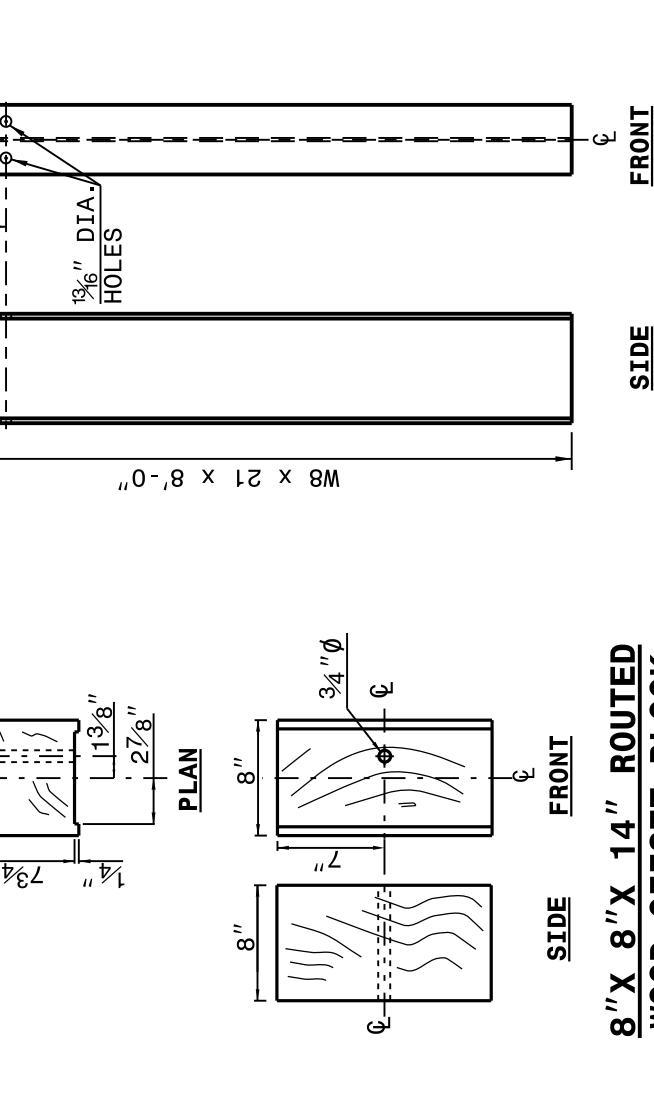
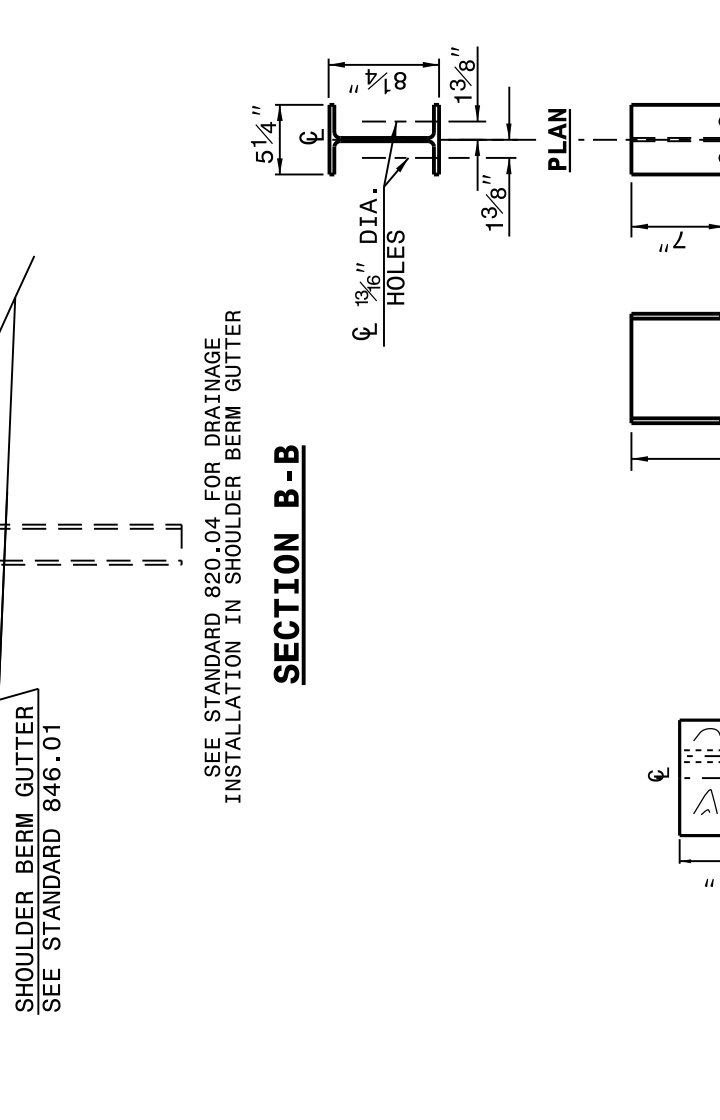


ELEVATION VIEW

NOTE:
 **ELIMINATE POST 3 AND SHIFT POSTS 1 & 2 ON SKEW ANGLES GREATER THAN 150° OR LESS THAN 30° UNLESS OTHERWISE DIRECTED BY THE ENGINEER.
 *MEASURE GUARDRAIL HEIGHT FROM THE TOP OF ADJACENT SURFACE (SHOULDER, BERM, OR GUTTER).
 -USE NO WOOD POSTS WITHIN THE GUARDRAIL ANCHOR UNIT LIMITS.
 -POSTS 1 AND 2 ARE TO BE 21' X 8\"/>



1\"/>
 SEE STANDARD 846-01



8\"/>
 WOOD OFFSET BLOCK

8\"/>
 STEEL POST

STATE OF
 NORTH CAROLINA
 DEPT. OF TRANSPORTATION
 DIVISION OF HIGHWAYS
 RALEIGH, N.C.

ROADWAY DETAIL DRAWING FOR
STRUCTURE ANCHOR UNITS
 GUARDRAIL ANCHOR UNIT TYPE B-83

SHEET 6 OF 7
862D03

STATE OF
 NORTH CAROLINA
 DEPT. OF TRANSPORTATION
 DIVISION OF HIGHWAYS
 RALEIGH, N.C.

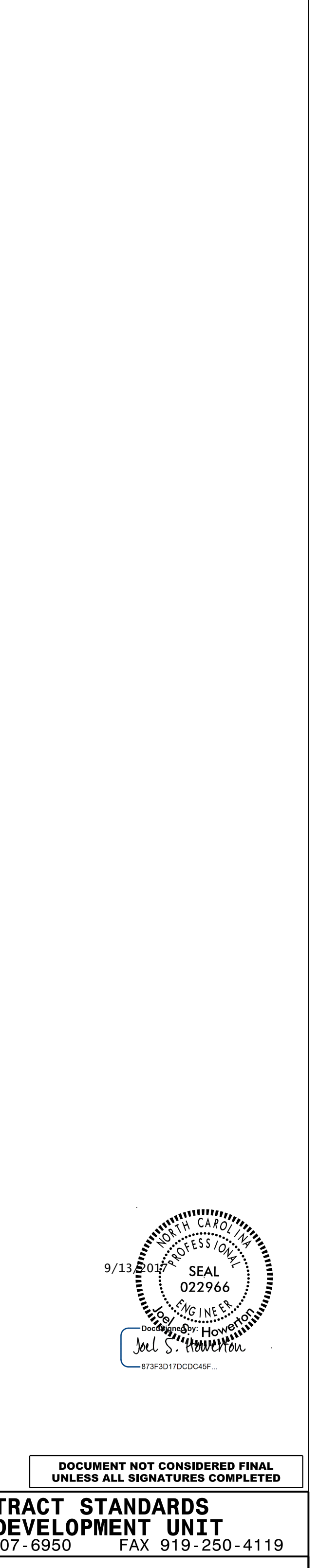
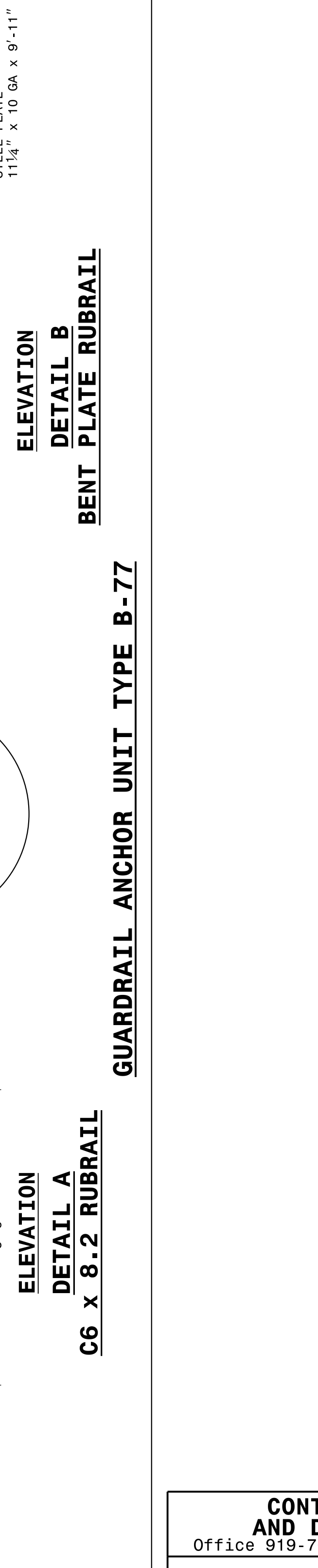
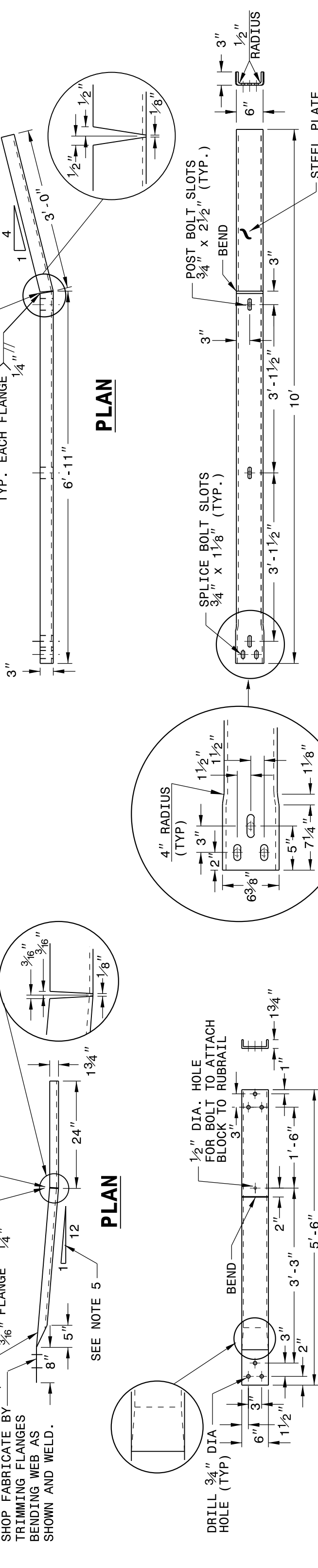
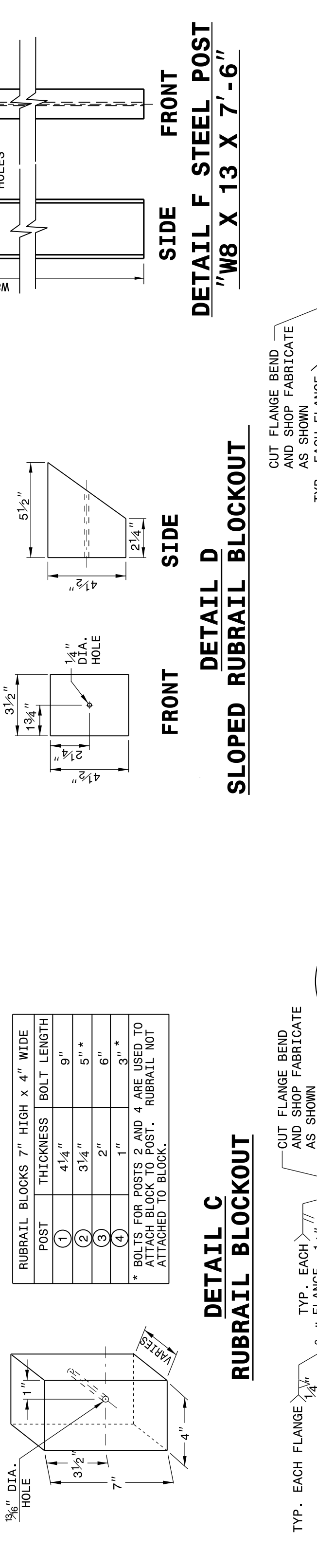
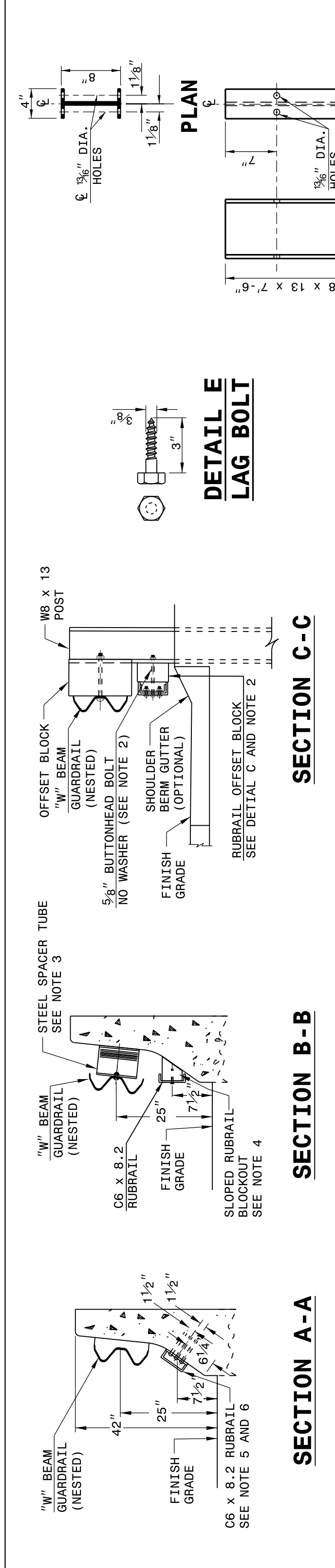
ROADWAY DETAIL DRAWING FOR
STRUCTURE ANCHOR UNIT
 GUARDRAIL ANCHOR UNIT TYPE B-77
 FOR F-SHAPE BARRIER

SHEET 5 OF 7
862D03

STATE OF
 NORTH CAROLINA
 DEPT. OF TRANSPORTATION
 DIVISION OF HIGHWAYS
 RALEIGH, N.C.

ROADWAY DETAIL DRAWING FOR
STRUCTURE ANCHOR UNIT
 GUARDRAIL ANCHOR UNIT TYPE B-77
 FOR F-SHAPE BARRIER

SHEET 5 OF 7
862D03



STATE OF
 NORTH CAROLINA
 DEPT. OF TRANSPORTATION
 DIVISION OF HIGHWAYS
 RALEIGH, N.C.

ROADWAY DETAIL DRAWING FOR
STRUCTURE ANCHOR UNIT
 GUARDRAIL ANCHOR UNIT TYPE B-77
 FOR F-SHAPE BARRIER

SHEET 5 OF 7
862D03

DOCUMENT NOT CONSIDERED FINAL
 UNLESS ALL SIGNATURES COMPLETED

**CONTRACT STANDARDS
 AND DEVELOPMENT UNIT**
 Office 919-707-6950 FAX 919-250-4119

SEE TITLE BLOCK

ORIGINAL BY: J HOWERTON DATE: 06-22-12
 MODIFIED BY: DATE:
 CHECKED BY: DATE:
 FILE SPEC.:

