

04-MAY-2017 15:14 S:\Contracts\Contract\SS\Special Details\Howerton\Standard Drawings\Details in Lieu of Standards\Drawings\862d01 862d03 862d03\862d01.dgn  
Howerton A:\CS0-2\2595

STATE OF NORTH CAROLINA  
DEPT. OF TRANSPORTATION  
DIVISION OF HIGHWAYS  
RALEIGH, N.C.

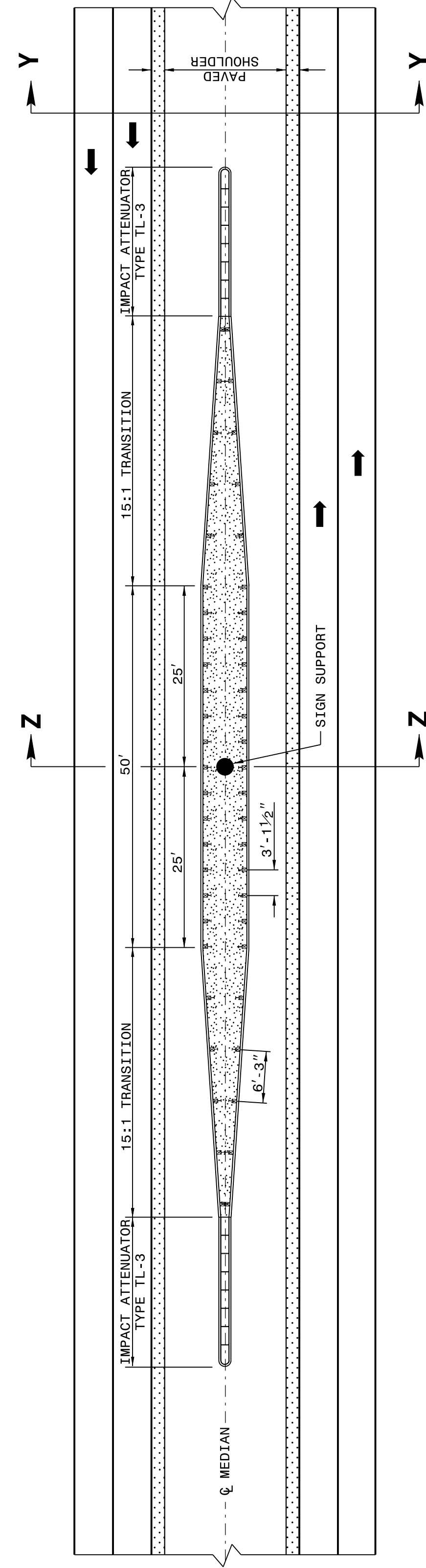
ROADWAY DETAIL DRAWING FOR  
GUARDRAIL PLACEMENT

SHEET 2 OF 11  
862D01

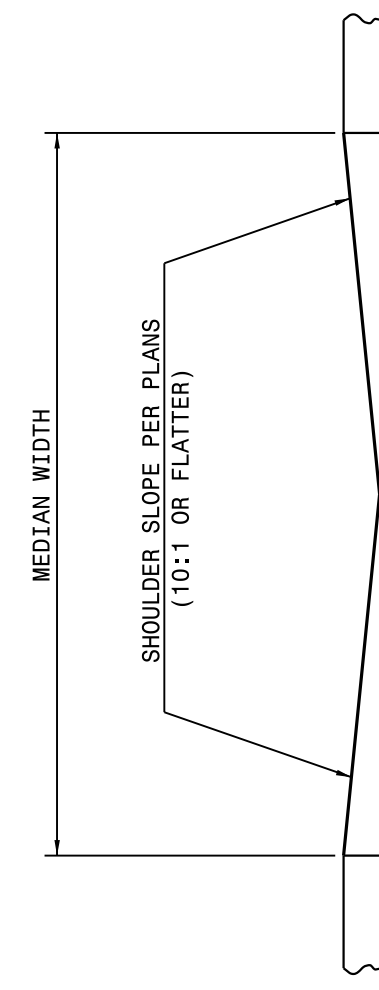
STATE OF NORTH CAROLINA  
DEPT. OF TRANSPORTATION  
DIVISION OF HIGHWAYS  
RALEIGH, N.C.

ROADWAY DETAIL DRAWING FOR  
GUARDRAIL PLACEMENT

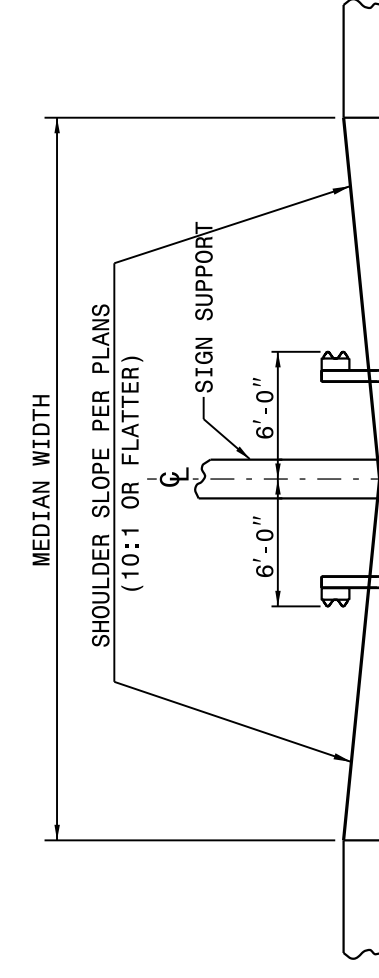
SHEET 2 OF 11  
862D01



NOTE SPECIAL LAYER OF PAVEMENT .....  
USE 3'-1 1/2" POST SPACING ON THE 50' OF GUARDRAIL PARALLEL TO LANES AND 6'-3" POST SPACING ON 15:1 TRANSITION SECTIONS.  
GRADE MEDIAN IN THE VICINITY OF THE SIGN SUPPORT AS ILLUSTRATED IN THE ROADWAY STANDARD DRAWINGS (STANDARD 862D01 SHEET 1 OF 12).



SECT. YY



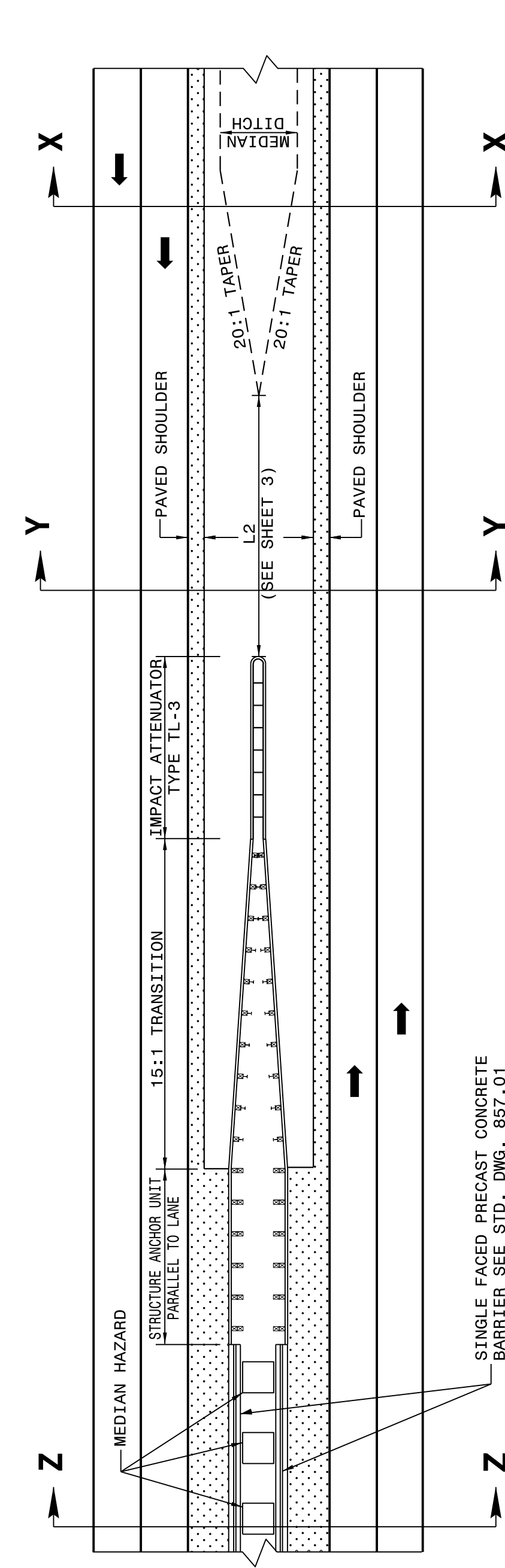
SECT. ZZ

DETAIL OF GUARDRAIL AT MEDIAN SIGN SUPPORT

STATE OF NORTH CAROLINA  
DEPT. OF TRANSPORTATION  
DIVISION OF HIGHWAYS  
RALEIGH, N.C.

ROADWAY DETAIL DRAWING FOR  
GUARDRAIL PLACEMENT

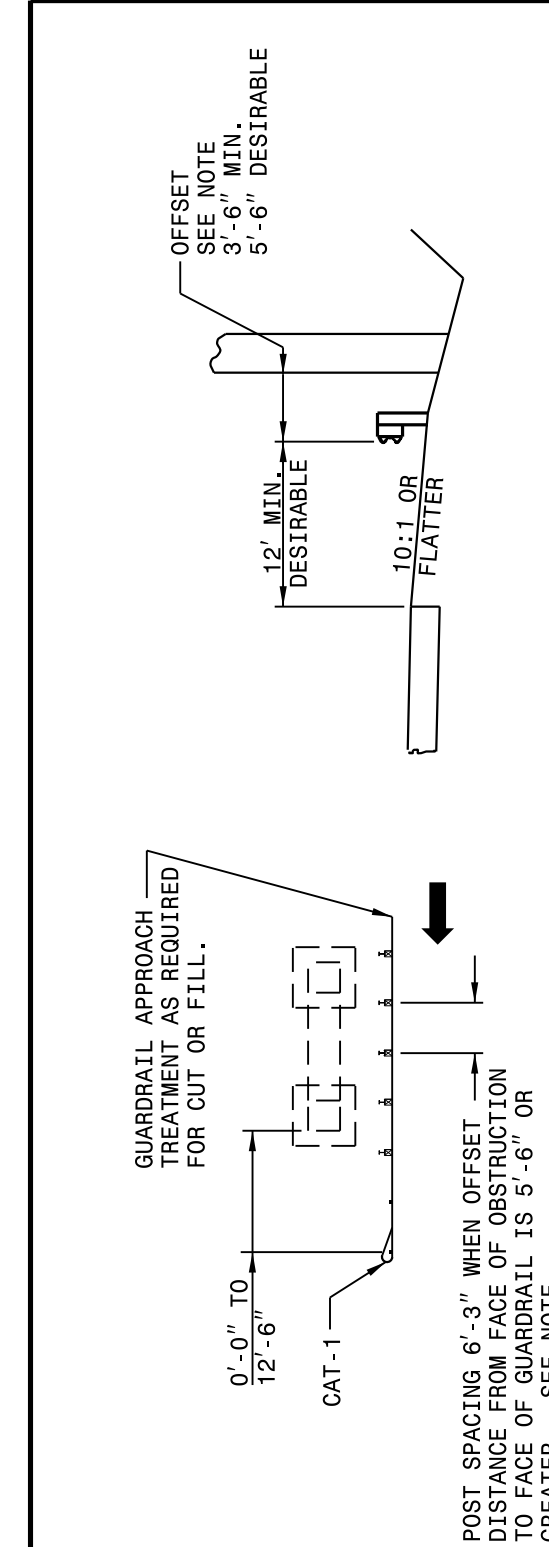
SHEET 1 OF 11  
862D01



SECT. XX

SECT. YY

DETAIL OF MEDIAN TREATMENT AT UNDERPASS



NOTE: WHEN OFFSET DISTANCE FROM FACE OF OBSTRUCTION TO FACE OF GUARDRAIL IS BETWEEN 3'-6" AND 5'-6" BEGIN 3'-1 1/2" POST SPACING AT A POINT 25' BEFORE REACHING THE OBSTRUCTION AND CARRY THROUGHOUT ITS LENGTH. IF THE OFFSET IS LESS THAN 3'-6" USE CONCRETE BARRIER.

DETAIL OF RIGHT SIDE GUARDRAIL AT UNDERPASS

SHEET 1 OF 11  
862D01

CONTRACT STANDARDS  
AND DEVELOPMENT UNIT  
Office 919-707-6950 FAX 919-250-4119

SEE TITLE BLOCK

ORIGINAL BY: J. HOWERTON DATE: 06-22-12  
MODIFIED BY: DATE:  
CHECKED BY: DATE:  
FILE SPEC.: DATE:

DOCUMENT NOT CONSIDERED FINAL  
UNLESS ALL SIGNATURES COMPLETED

