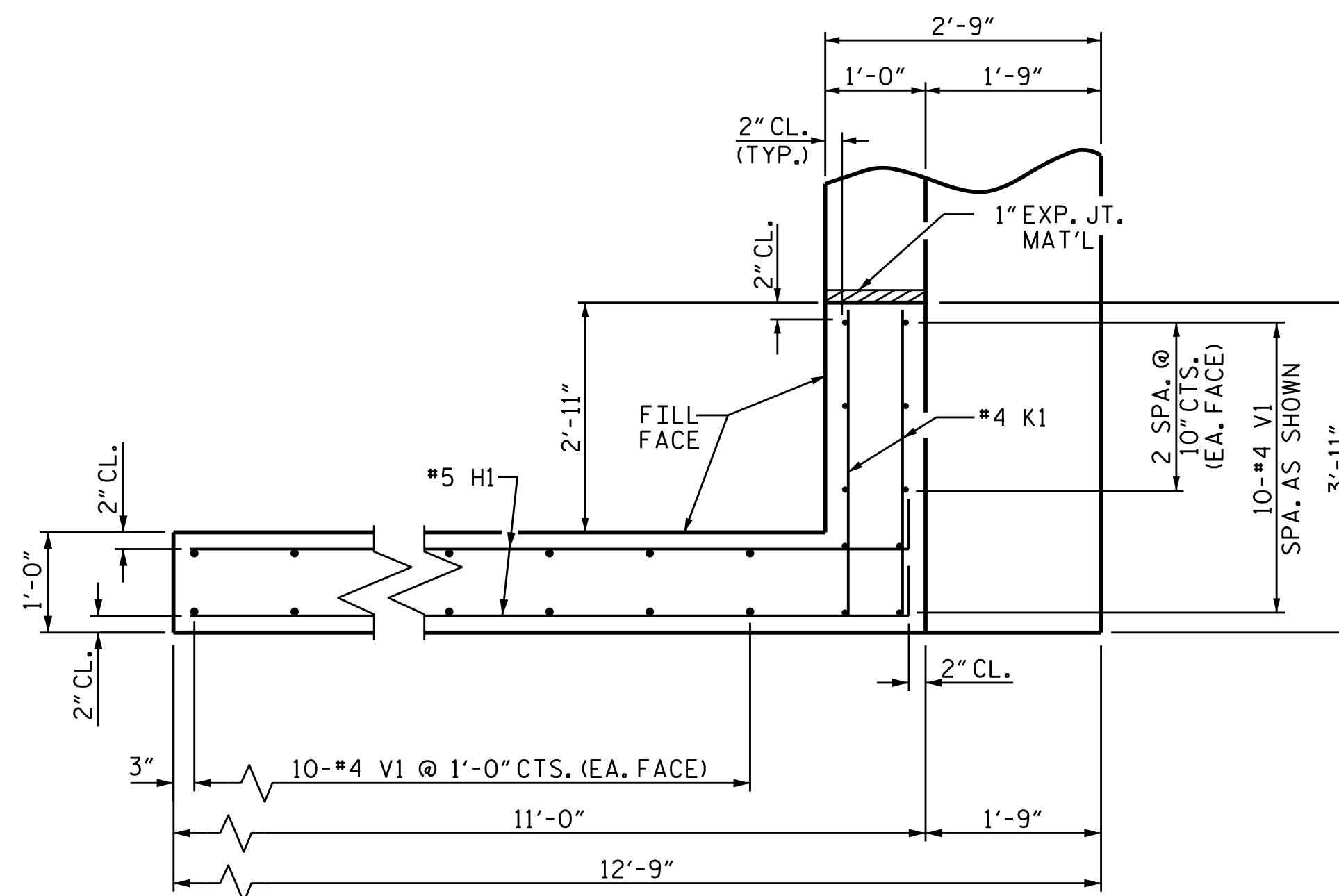
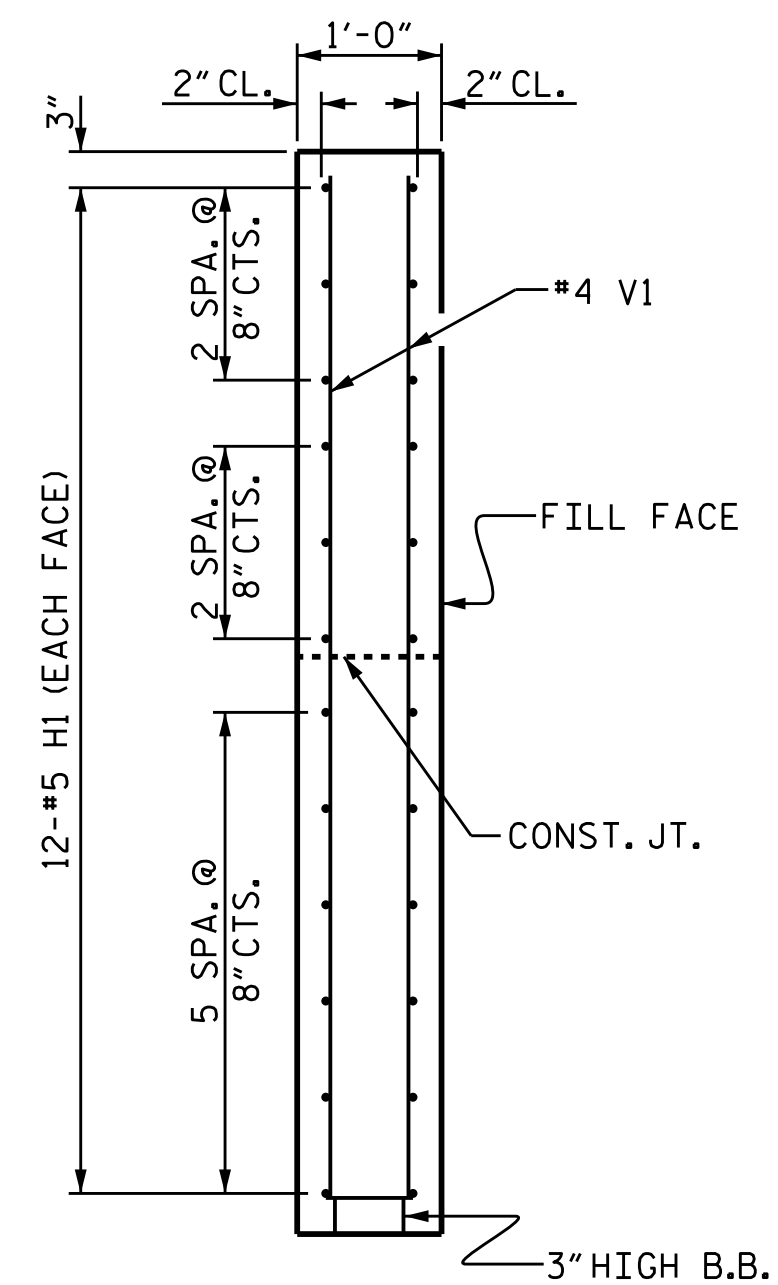


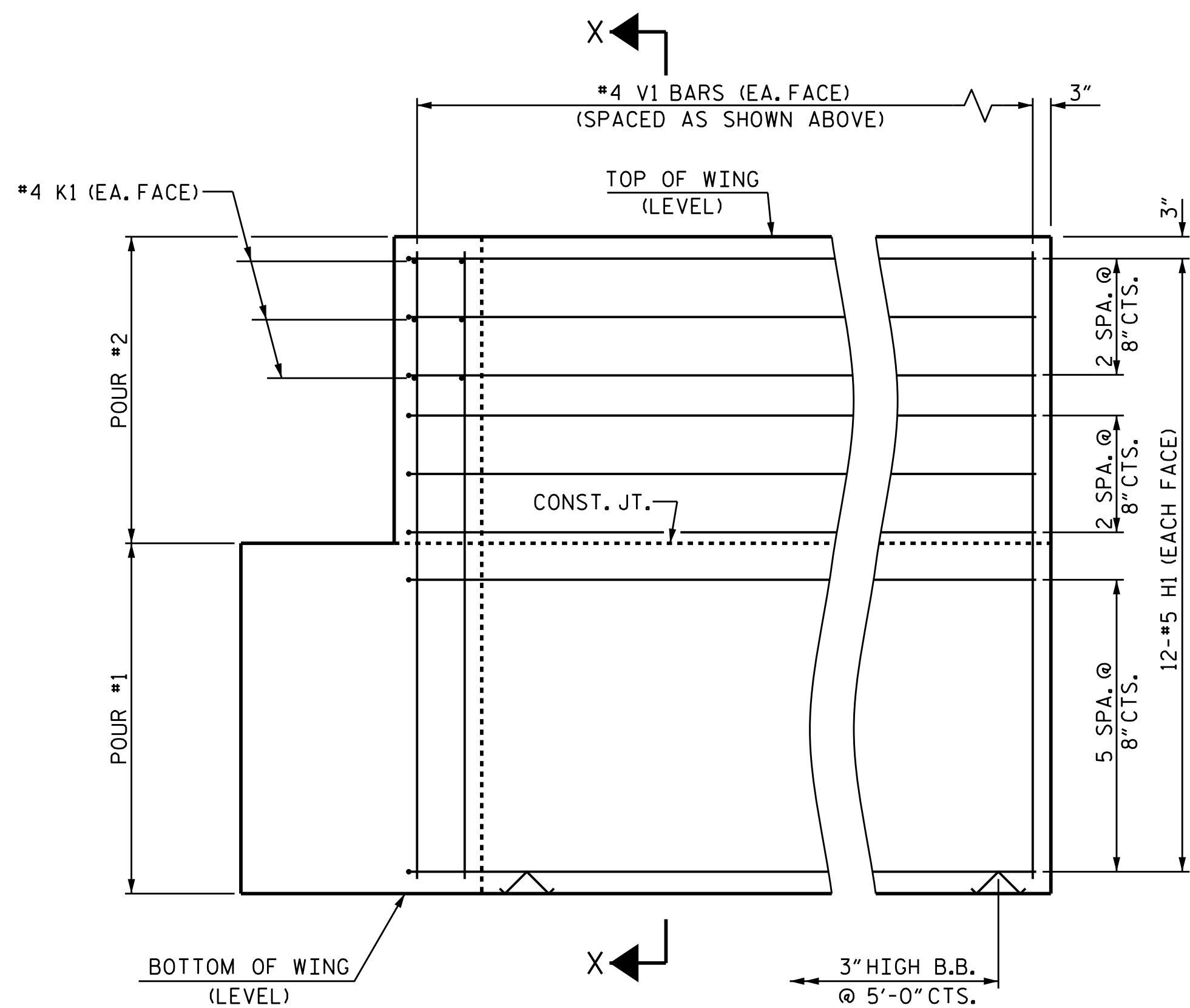
PLAN OF WING (W1)



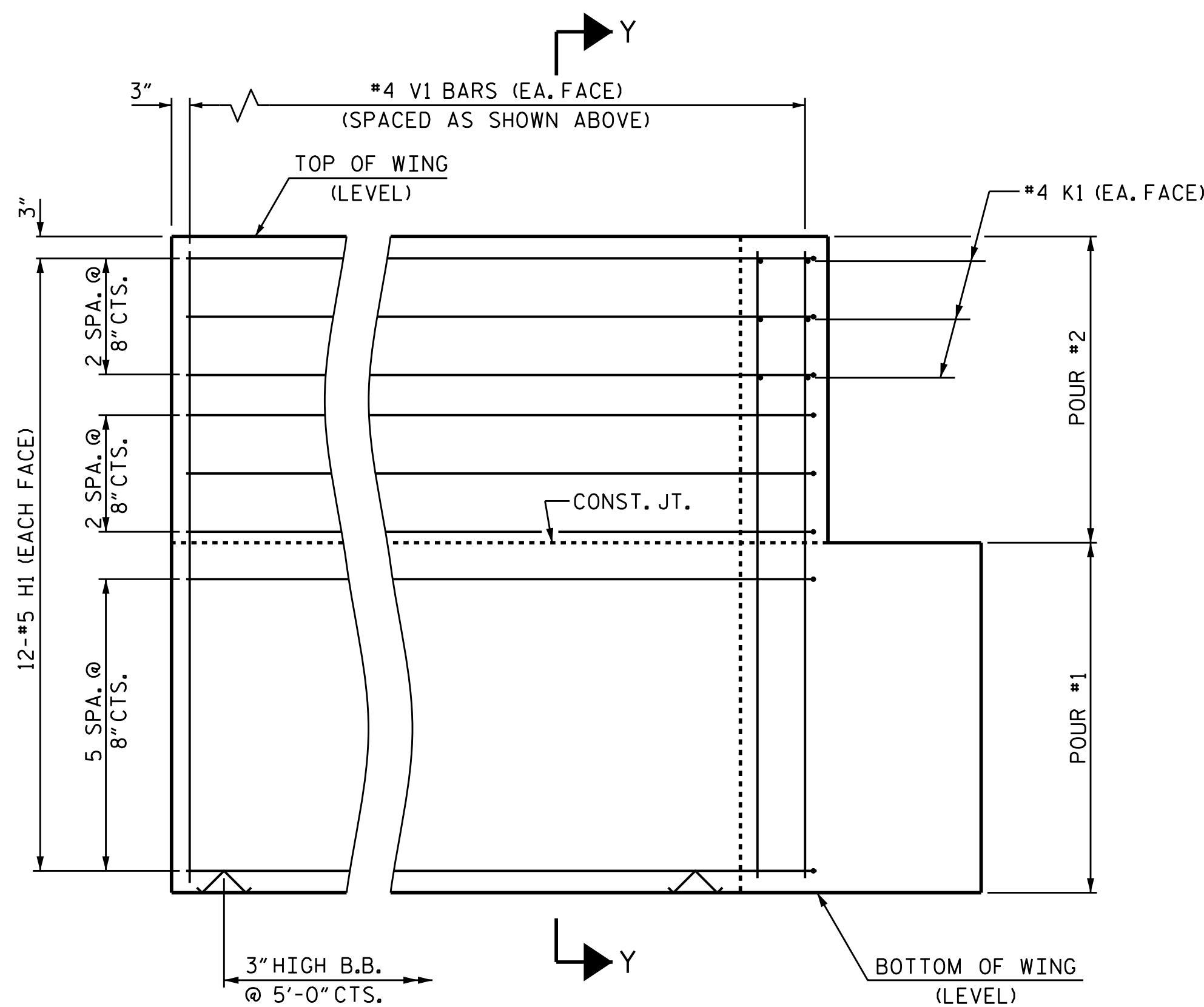
PLAN OF WING (W2)



SECTION X-X

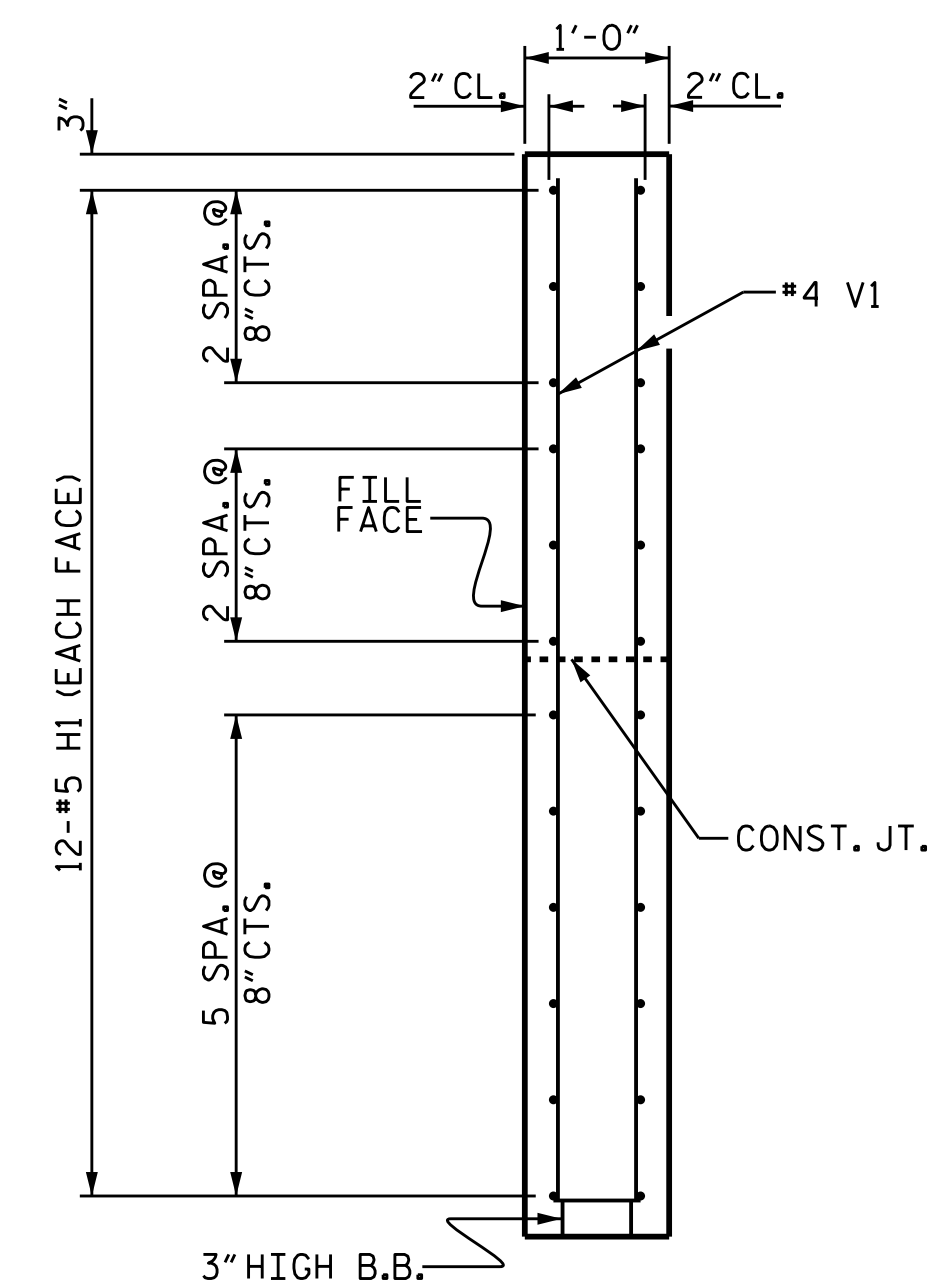


ELEVATION OF WING (W1)



ELEVATION OF WING (W2)

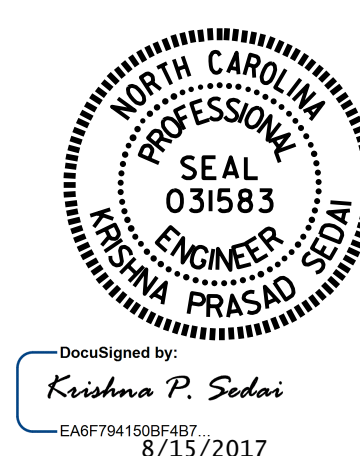
WING DETAILS



SECTION Y-Y

PROJECT NO. B-5362  
 MONTGOMERY COUNTY  
 STATION: 14+87.00 -L-

SHEET 3 OF 4



STATE OF NORTH CAROLINA  
 DEPARTMENT OF TRANSPORTATION  
 RALEIGH

SUBSTRUCTURE  
 END BENT  
 WING DETAILS

ASSEMBLED BY : A. SORSENGINH	DATE : 7/2016
CHECKED BY : E. K. POPE	DATE : 3/2017
DRAWN BY : WJH 12/11	REV. 4/15
CHECKED BY : AAC 12/11	MAA/TMG

DOCUMENT NOT CONSIDERED  
 FINAL UNLESS ALL  
 SIGNATURES COMPLETED

REVISIONS						SHEET NO.
NO.	BY:	DATE:	NO.	BY:	DATE:	S-15
1			3			TOTAL SHEETS
2			4			21