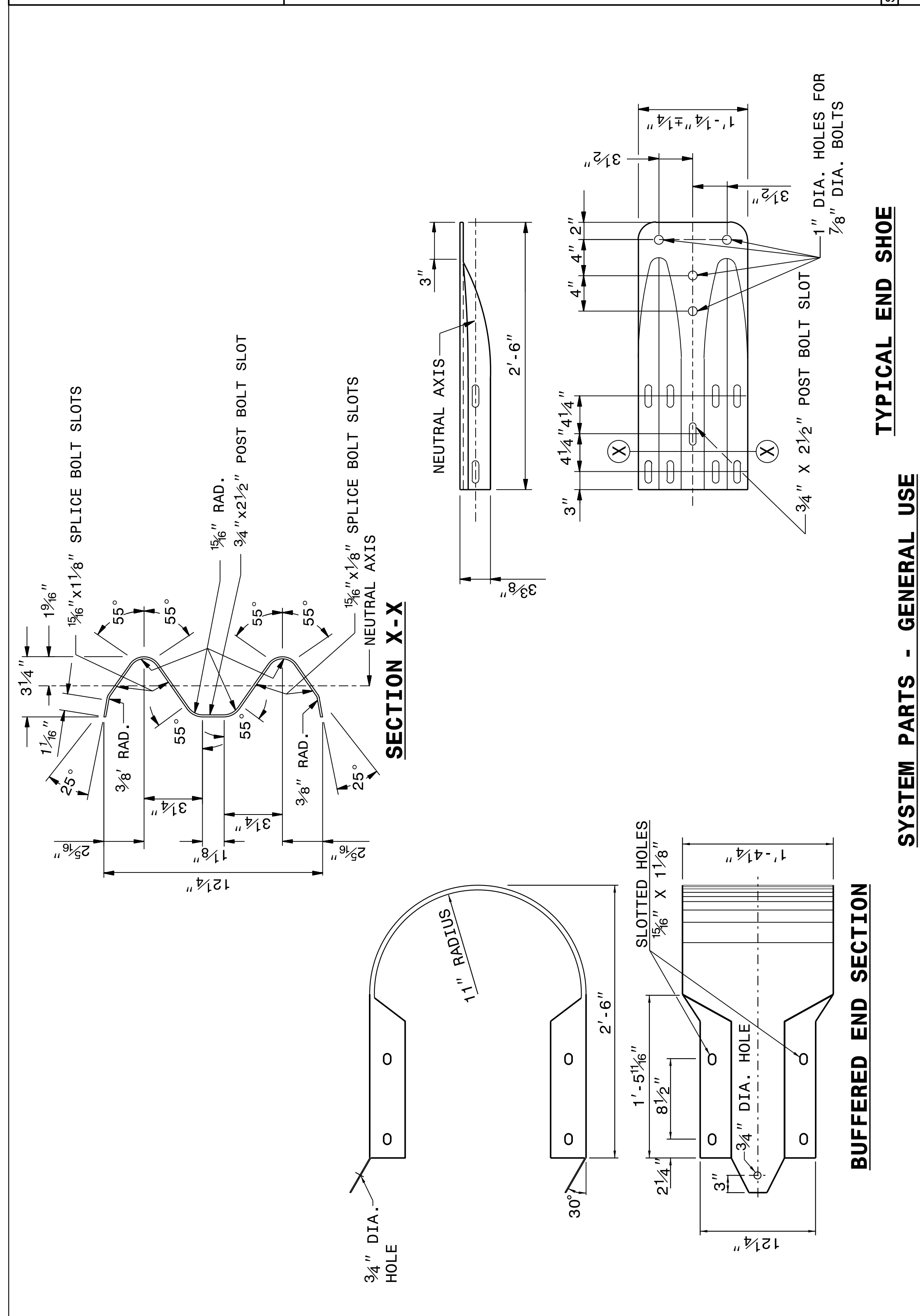


24-MAY-2017 11:54  
 S:\Contracts\Projects\Special Details\Standard Drawings\Division 8\862d01 862d03 862d03\862d02.dgn  
 Jhowerton AT CSU-292595

STATE OF NORTH CAROLINA  
 DEPT. OF TRANSPORTATION  
 DIVISION OF HIGHWAYS  
 RALEIGH, N.C.

ROADWAY DETAIL DRAWING FOR  
**GUARDRAIL INSTALLATION**

SHEET 8 OF 8  
**862D02**



STATE OF NORTH CAROLINA  
 DEPT. OF TRANSPORTATION  
 DIVISION OF HIGHWAYS  
 RALEIGH, N.C.

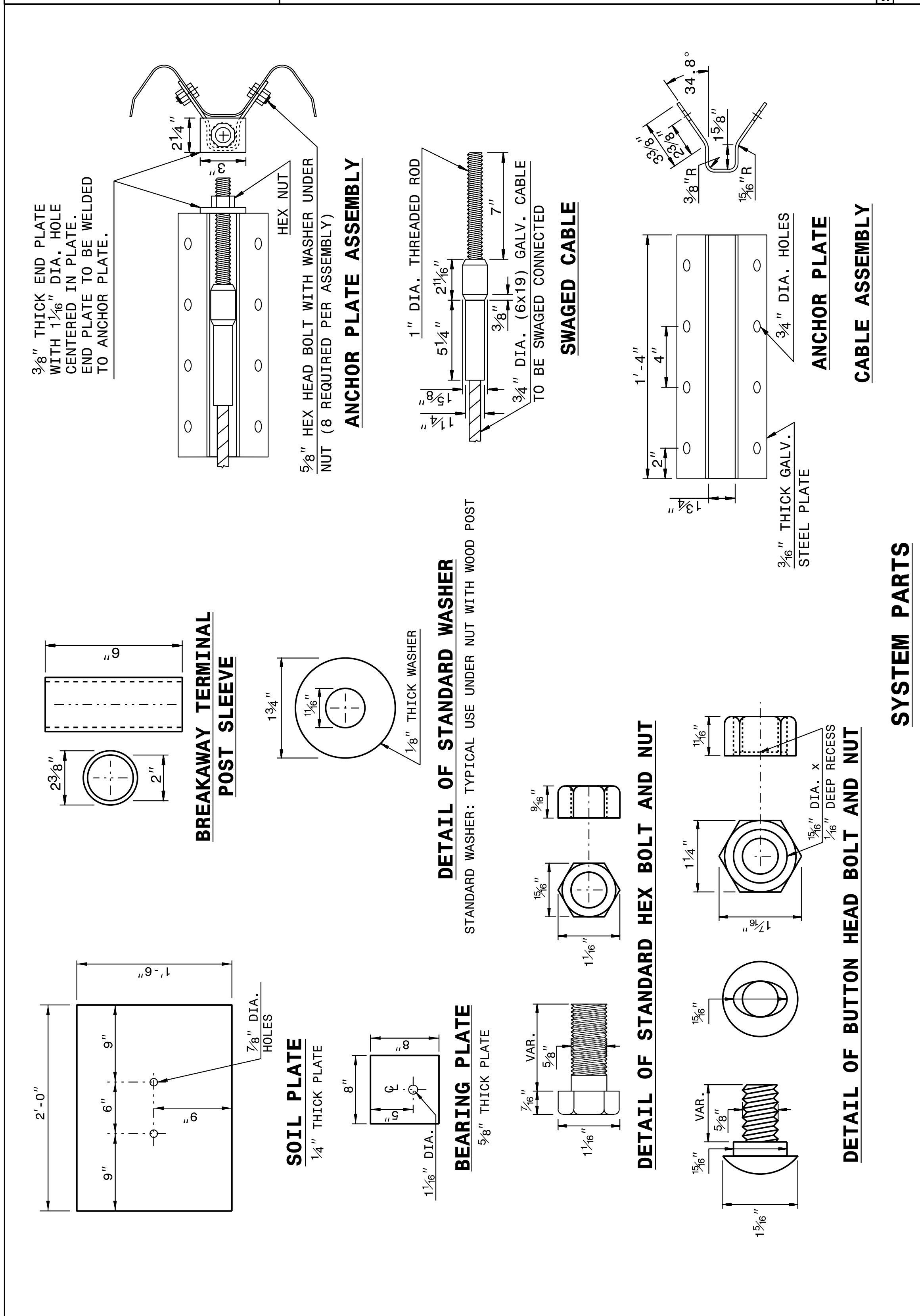
ROADWAY DETAIL DRAWING FOR  
**GUARDRAIL INSTALLATION**

SHEET 8 OF 8  
**862D02**

STATE OF NORTH CAROLINA  
 DEPT. OF TRANSPORTATION  
 DIVISION OF HIGHWAYS  
 RALEIGH, N.C.

ROADWAY DETAIL DRAWING FOR  
**GUARDRAIL INSTALLATION**

SHEET 7 OF 8  
**862D02**



STATE OF NORTH CAROLINA  
 DEPT. OF TRANSPORTATION  
 DIVISION OF HIGHWAYS  
 RALEIGH, N.C.

ROADWAY DETAIL DRAWING FOR  
**GUARDRAIL INSTALLATION**

SHEET 7 OF 8  
**862D02**

DOCUMENT NOT CONSIDERED FINAL  
 UNLESS ALL SIGNATURES COMPLETED

**CONTRACT STANDARDS  
 AND DEVELOPMENT UNIT**  
 Office 919-707-6950 FAX 919-250-4119

SEE TITLE BLOCK

ORIGINAL BY: J HOWERTON	DATE: 06-22-12
MODIFIED BY:	DATE:
CHECKED BY:	DATE:
FILE SPEC.:	

