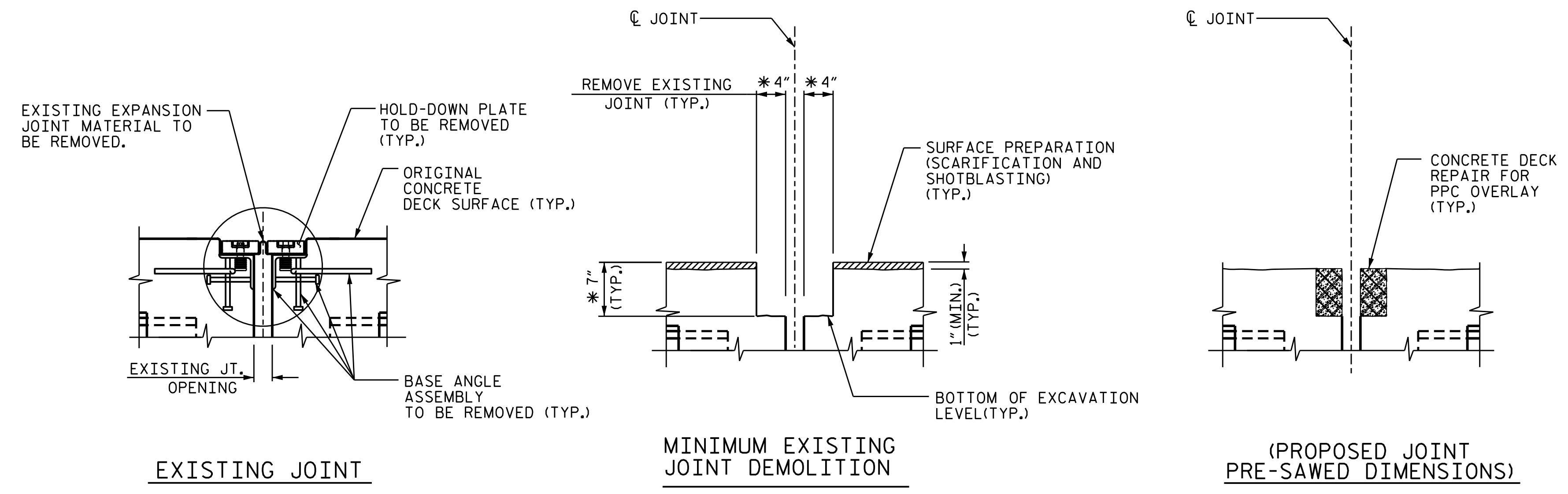
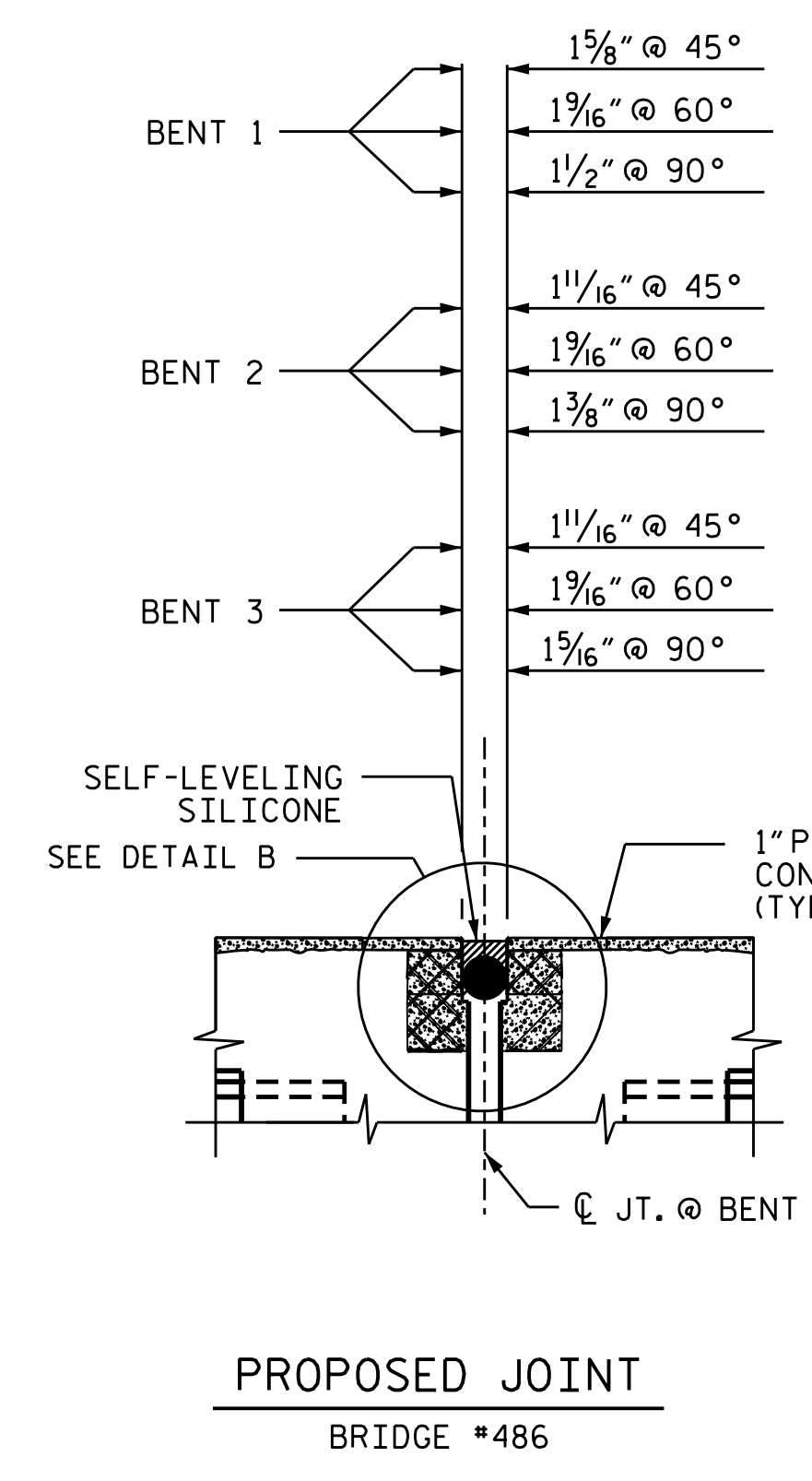


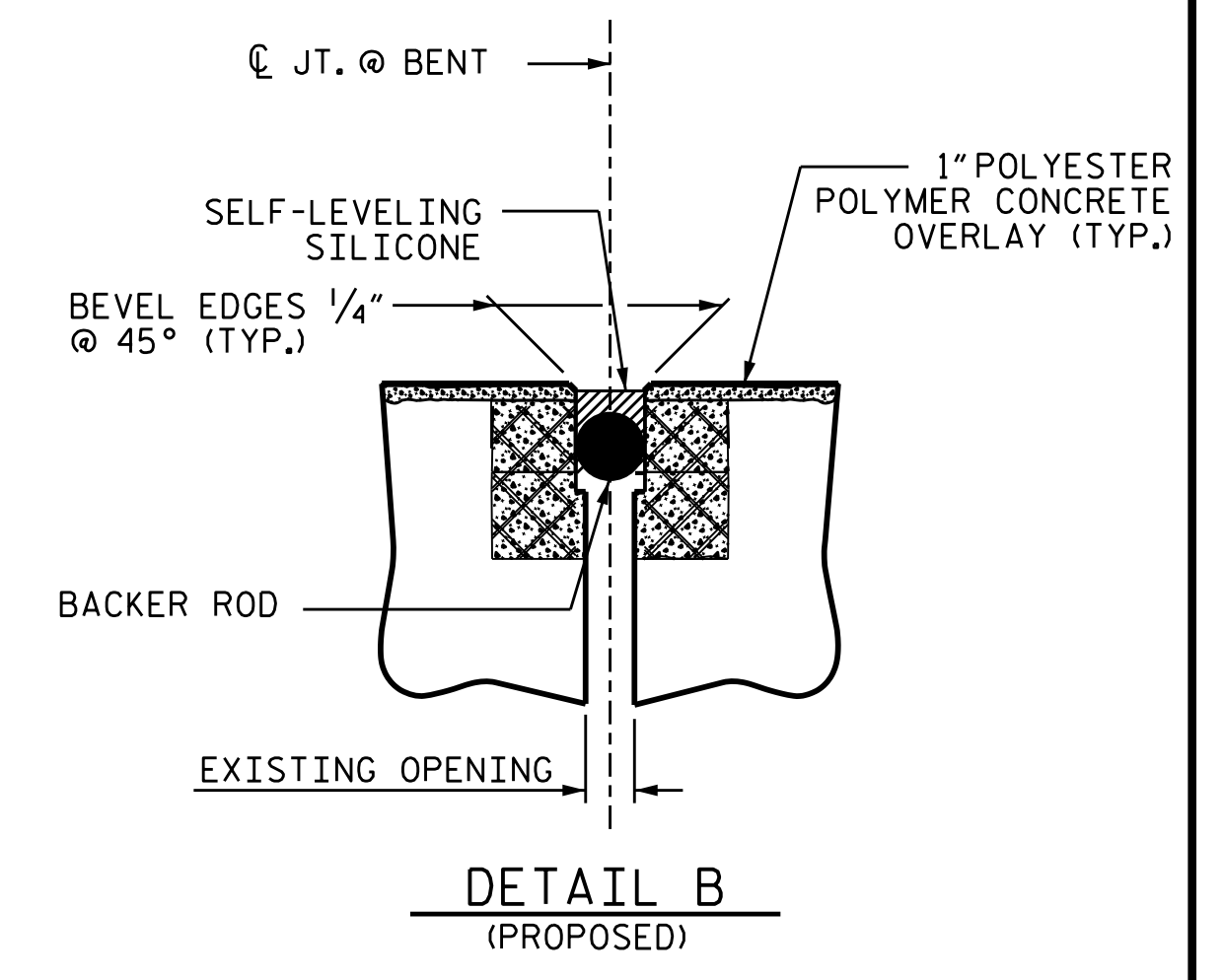
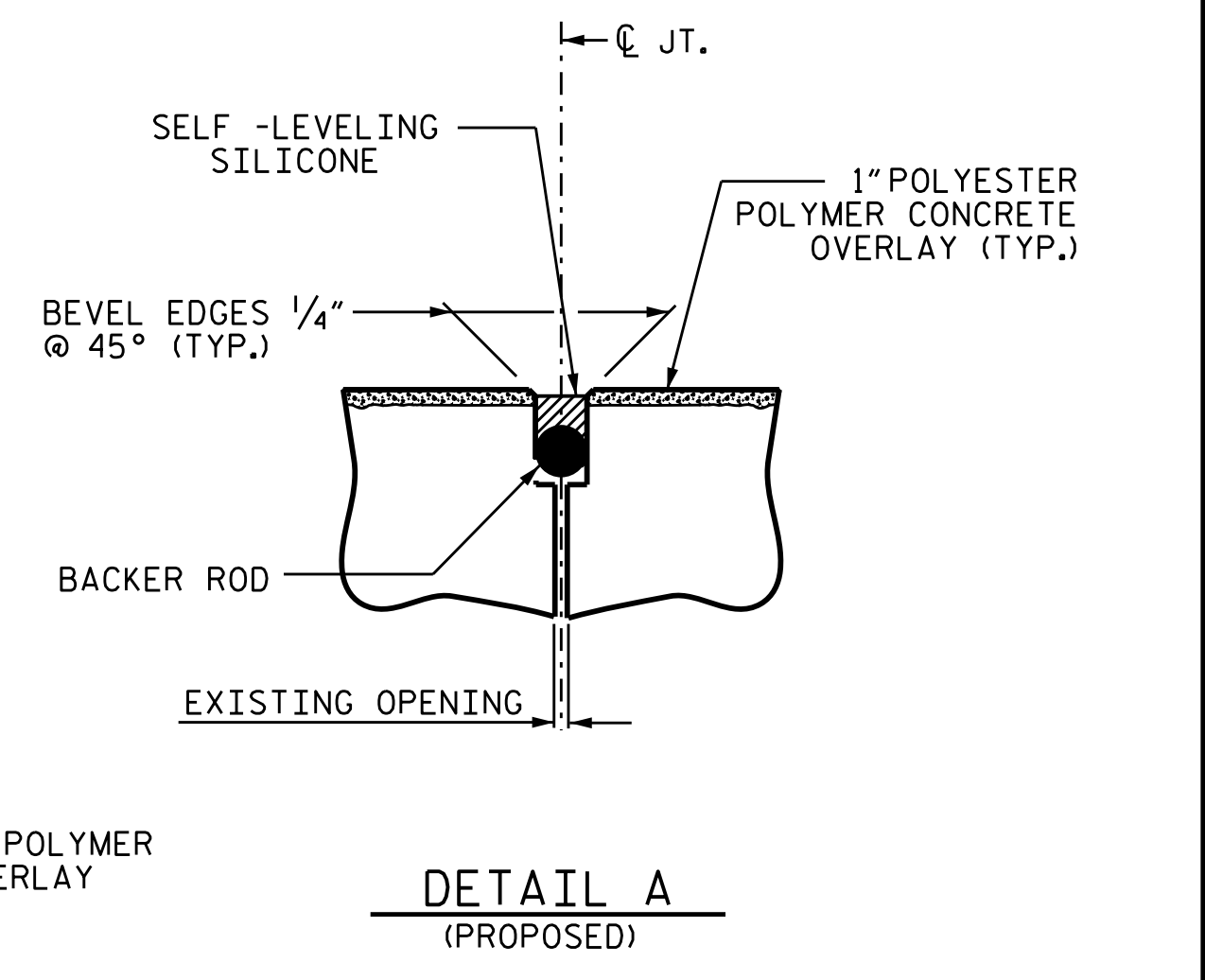
JOINT INSTALLATION SEQUENCE AT END BENTS
 SECTION A-A



JOINT INSTALLATION SEQUENCE AT BENTS
 SECTION B-B

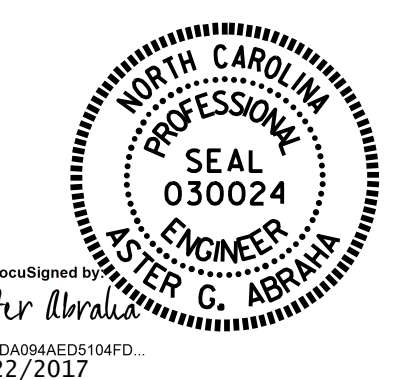
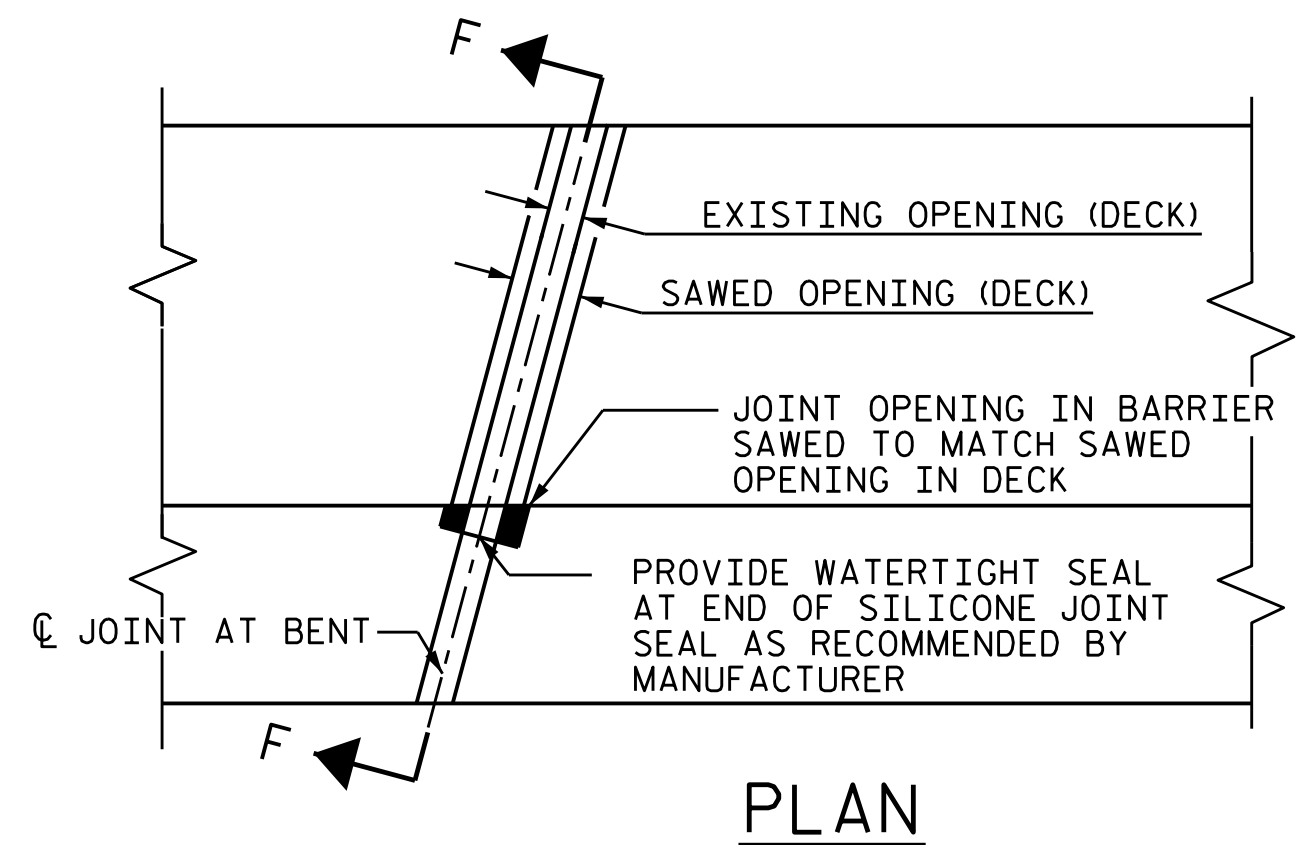
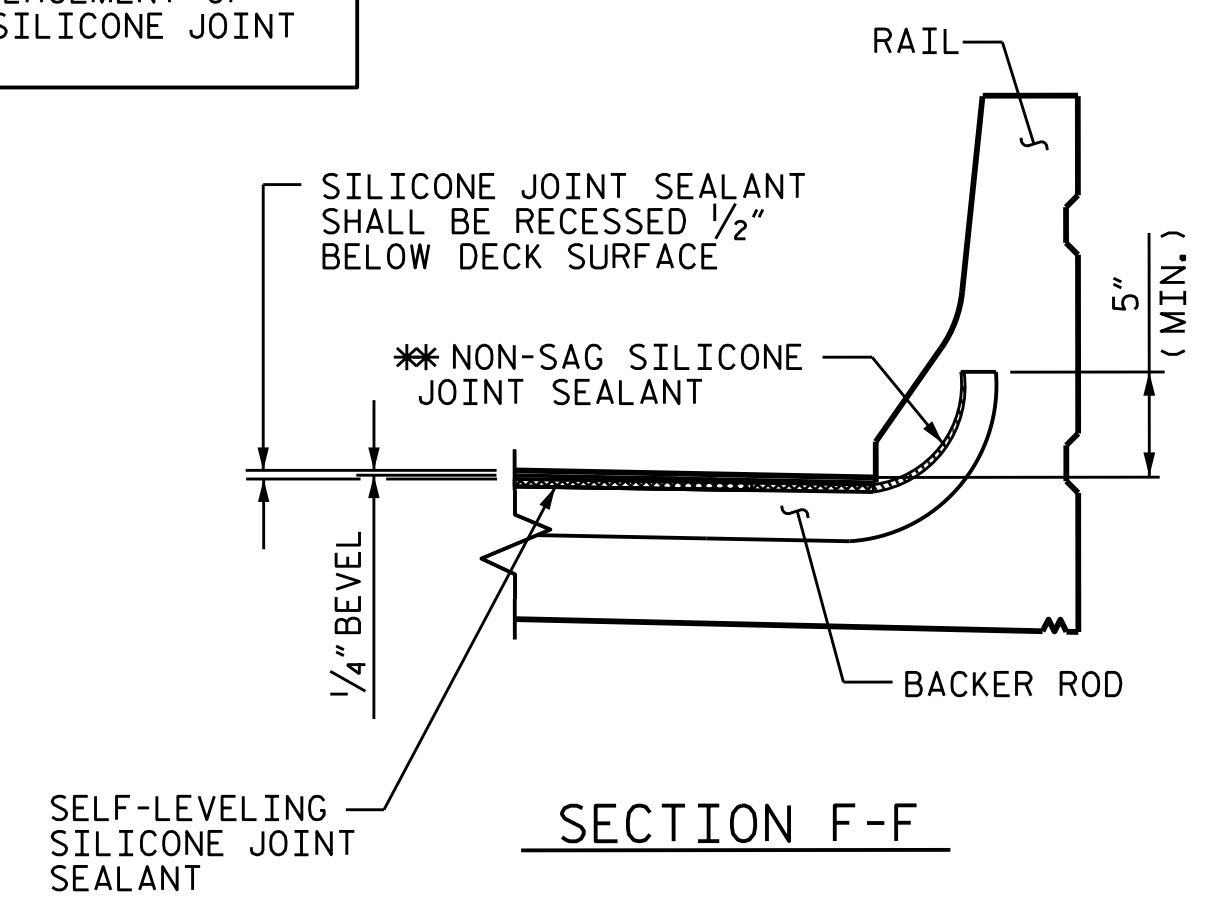


NOTES:
 CONTRACTOR SHALL FIELD VERIFY THE EXISTING FORMED OPENING PRIOR TO OBTAINING JOINT MATERIAL.
 FOR SILICONE JOINT SEALANT, SEE SPECIAL PROVISIONS.
 UNLESS NOTED OTHERWISE RETAIN ALL EXISTING REINFORCING STEEL. CLEAN AND REPAIR AS NEEDED.
 ALL EXPOSED ENDS OF CUT BARS SHALL BE COATED WITH EPOXY PRIOR TO THE NEW JOINT MATERIAL INSTALLATION.
 * DIMENSIONS INDICATED ARE GENERIC. ACTUAL REMOVAL DIMENSIONS SHALL BE SUFFICIENT TO REMOVE THE HOLD-DOWN PLATE AND BASE ANGLES. BASE ANGLE STUDS MAY REMAIN, BUT SHALL BE CUT FLUSH WITH BOTTOM OF EXCAVATION.



PROJECT NO. I-5781
 JOHNSTON COUNTY
 BRIDGE No.: 486 & 487

** NON-SAG SILICONE JOINT SEALANT TO BE PLACED AND ALLOWED TO SET, PRIOR TO PLACEMENT OF SELF-LEVELING SILICONE JOINT SEALANT.



STATE OF NORTH CAROLINA
 DEPARTMENT OF TRANSPORTATION
 RALEIGH
SUPERSTRUCTURE
JOINT DETAILS

DRAWN BY : M. K. BEARD / S. T. SANDOR DATE : 03/2017
 CHECKED BY : W. C. SMITH / A. C. ABRAHA DATE : 05/2017

DOCUMENT NOT CONSIDERED FINAL UNLESS ALL SIGNATURES COMPLETED

REVISIONS						SHEET NO.
NO.	BY:	DATE:	NO.	BY:	DATE:	S-29
1			3			TOTAL SHEETS 69
2			4			