

PLAN
(TOP OF CAP)

NOTES

REPAIR LOCATIONS AND ESTIMATE OF QUANTITIES ARE GIVEN WITH THE BEST INFORMATION AVAILABLE. IF ADDITIONAL REPAIRS NOT SHOWN ON THE DRAWINGS ARE DEEMED NECESSARY BY THE INSPECTOR OR ENGINEER THE CONTRACTOR SHALL NOTE ON THE DRAWINGS THE APPROXIMATE LOCATION AND DESCRIPTION OF THE REPAIRS AND ADJUST THE ACTUAL QUANTITIES ENTERED INTO THE REPAIR QUANTITY TABLE.

FOR CAP AND COLUMN REPAIR DETAILS, SEE "TYPICAL CAP AND COLUMN REPAIR DETAILS" SHEET.

FOR "SHOTCRETE REPAIRS", SEE SPECIAL PROVISIONS.

FOR "EPOXY RESIN INJECTION", SEE SPECIAL PROVISIONS.

FOR "EPOXY COATING", SEE SPECIAL PROVISIONS.

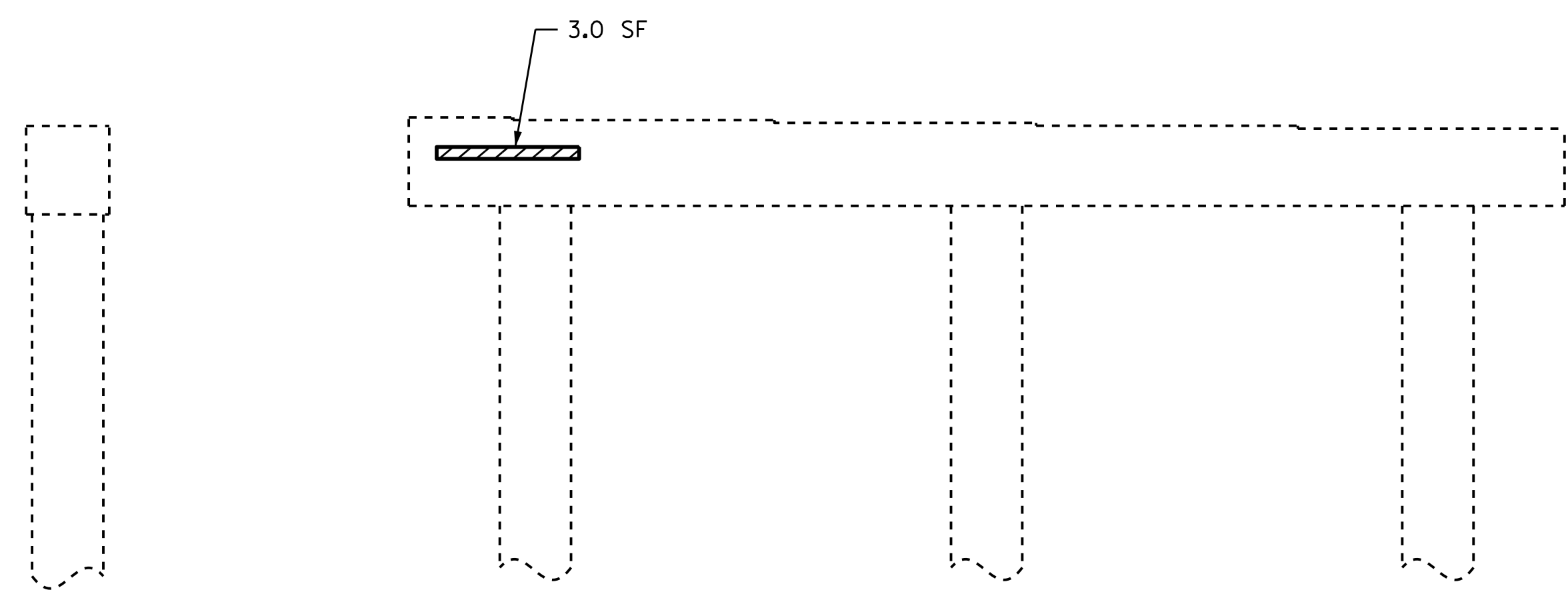
- SHOTCRETE REPAIR

ERI - EPOXY RESIN INJECTION

REPAIR QUANTITY TABLE

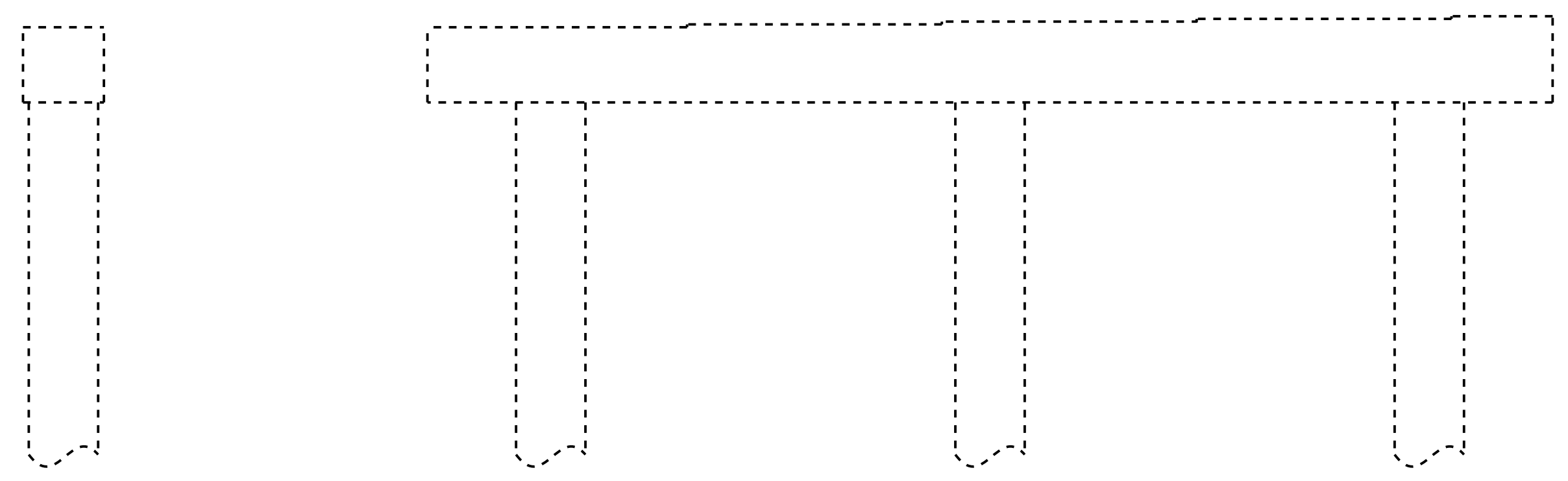
BENT 1	QUANTITIES			
	ESTIMATE		ACTUAL	
SHOTCRETE REPAIRS	AREA SF	VOLUME CF	AREA SF	VOLUME CF
CAP (VERTICAL FACE)	3.0	2.0		
CAP (HORIZONTAL, CORNER)	0.0	0.0		
COLUMN				
FOOTER	0.0	0.0		
EPOXY RESIN INJECTION		LN. FT		LN. FT
CAP		0.0		
COLUMN		0.0		
FOOTER		0.0		
EPOXY COATING	AREA SF			
TOP OF CAP	170.0			

VALUES IN CHART REPRESENT ESTIMATED REPAIR TOTALS AFTER REMOVAL OF UNSOUND CONCRETE, MIN. OF 1" BEHIND REBAR AND MIN. 2" CL. TO SAWCUT. SEE REPAIR DETAILS.



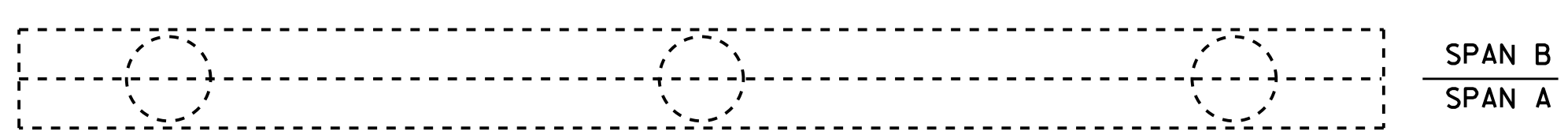
END VIEW
(LEFT SIDE)

ELEVATION
(SPAN A SIDE)



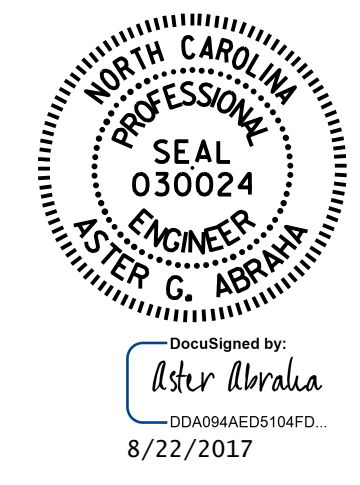
END VIEW
(RIGHT SIDE)

ELEVATION
(SPAN B SIDE)



PLAN
(BOTTOM OF CAP)

PROJECT NO. I-5781
JOHNSTON COUNTY
 BRIDGE NO. 486



STATE OF NORTH CAROLINA
 DEPARTMENT OF TRANSPORTATION
 RALEIGH
SUBSTRUCTURE
 REPAIR
 BENT 1

DRAWN BY : M. K. BEARD / S. T. SANDOR DATE : 06/2017
 CHECKED BY : W. C. SMITH DATE : 06/2017

DOCUMENT NOT CONSIDERED FINAL UNLESS ALL SIGNATURES COMPLETED

NO.	REVISIONS			NO.	REVISIONS			SHEET NO.
	BY:	DATE:			BY:	DATE:		
1				3			S-20	
2				4			TOTAL SHEETS 69	