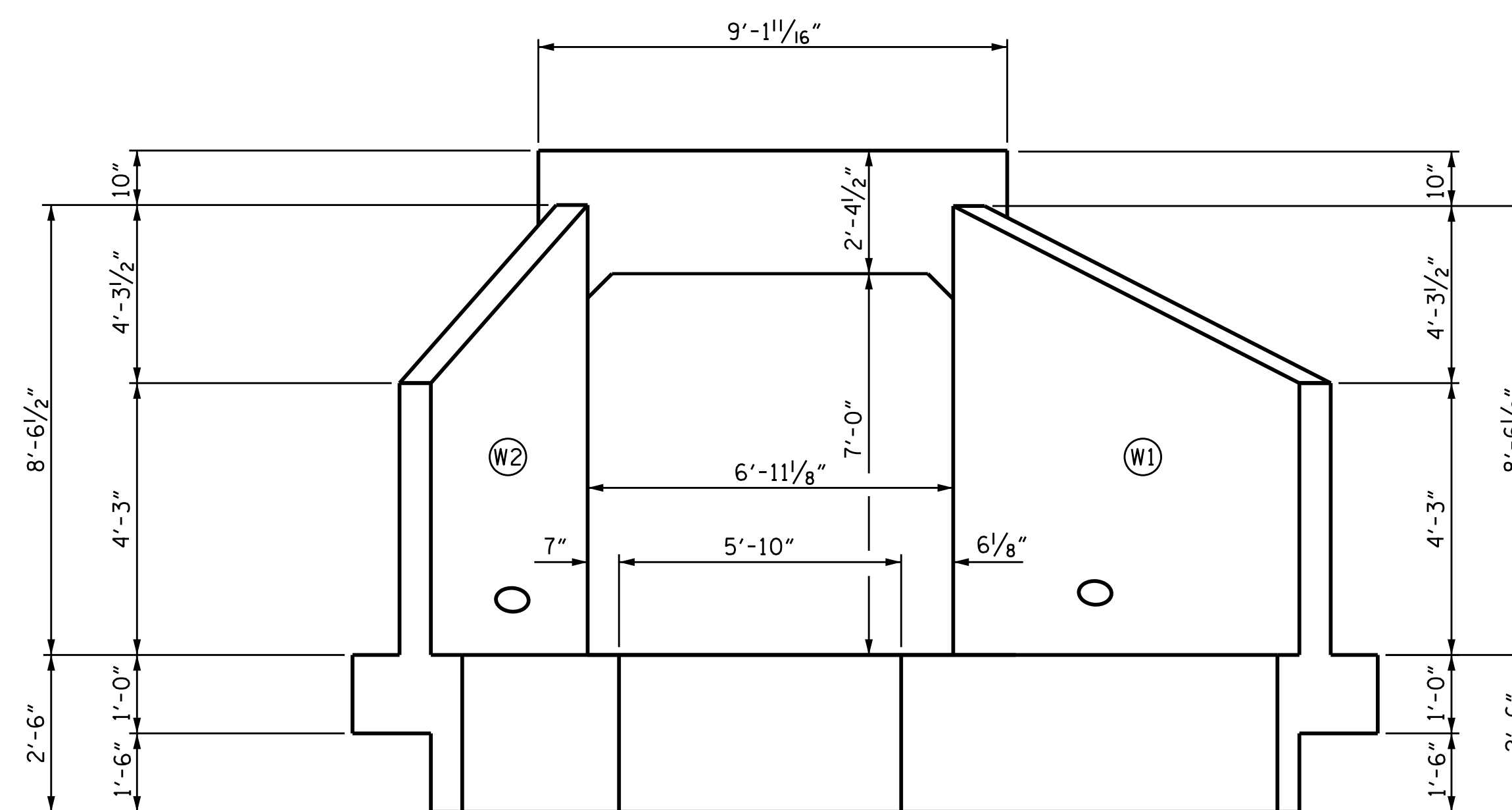
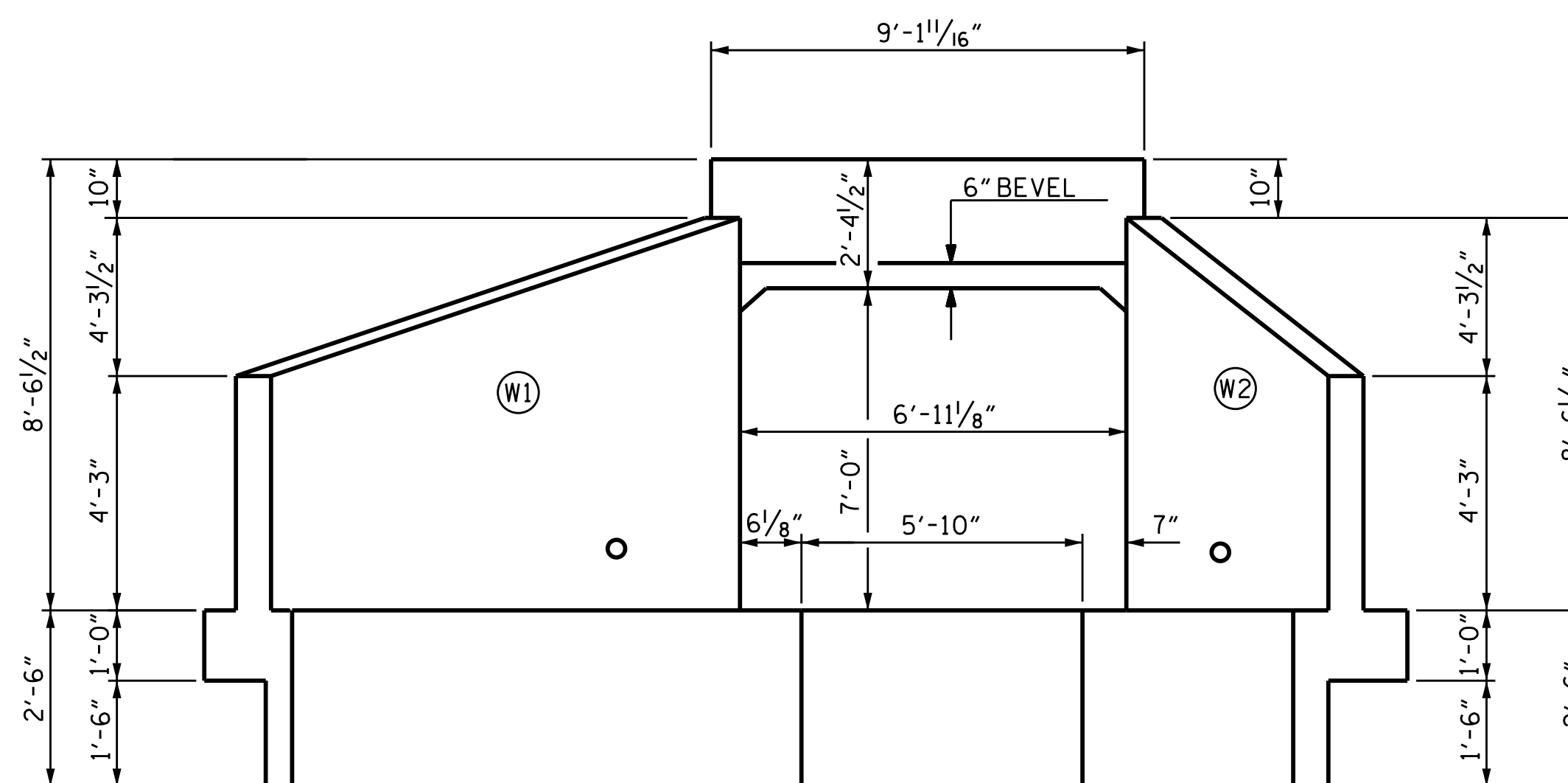


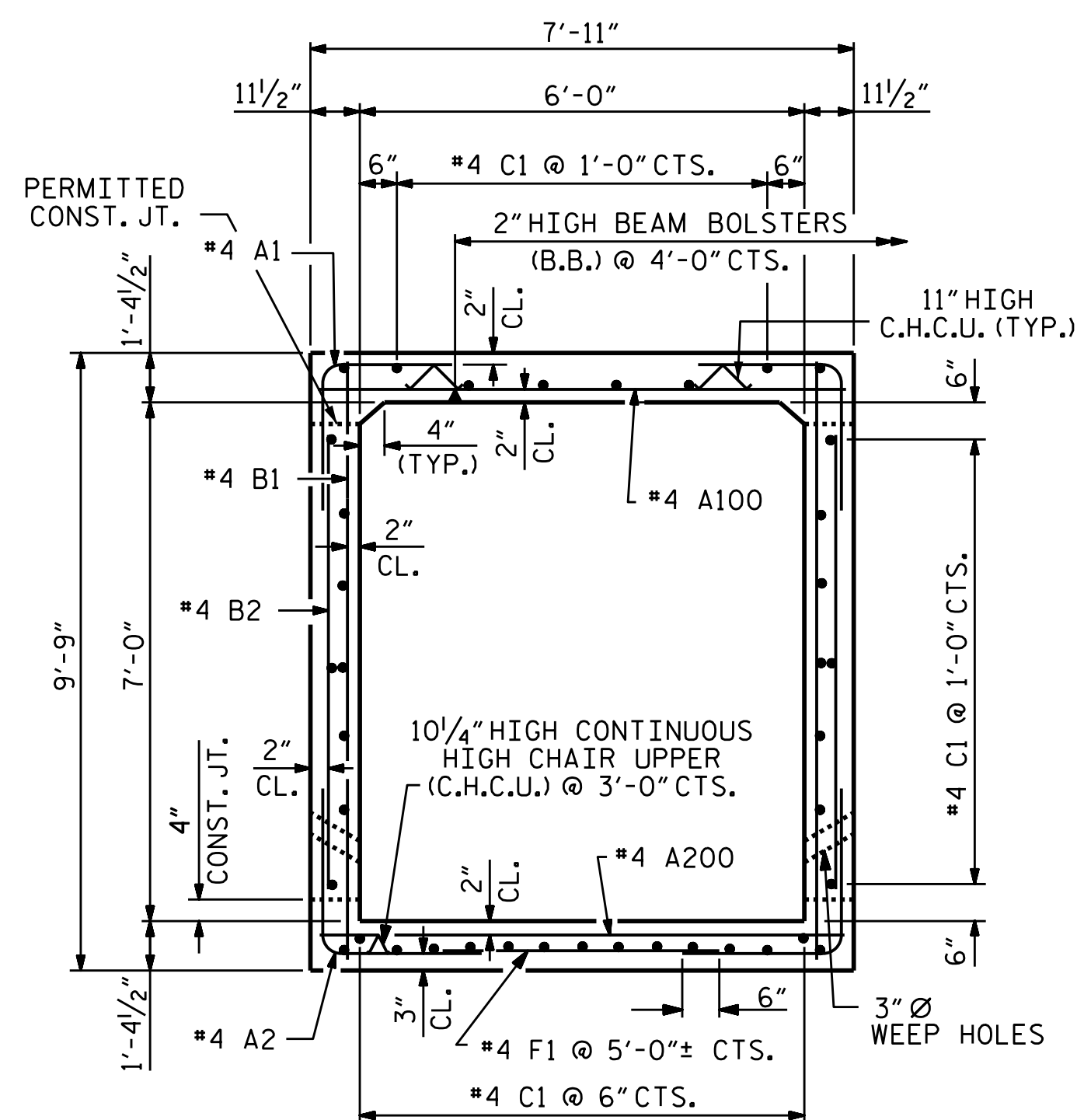
CULVERT SECTION NORMAL TO ROADWAY



OUTLET END ELEVATION NORMAL TO SKEW

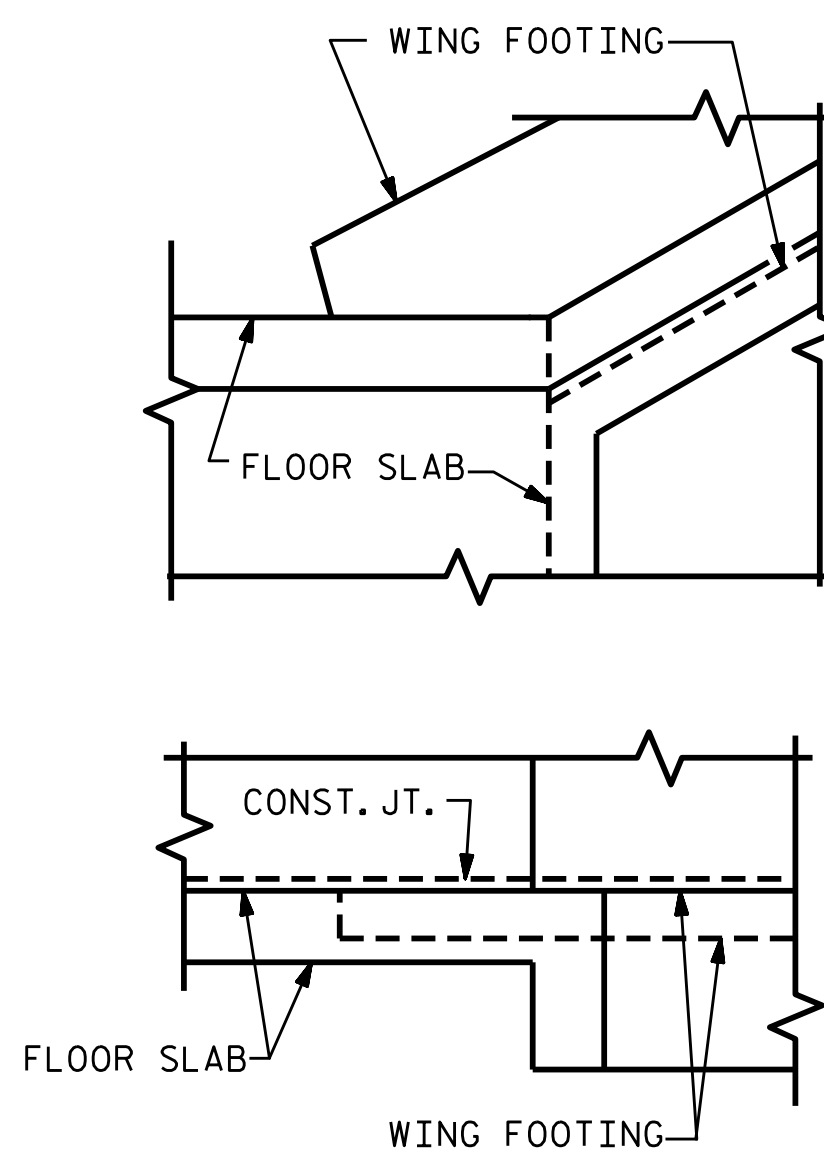


INLET END ELEVATION NORMAL TO SKEW



RIGHT ANGLE SECTION OF BARREL

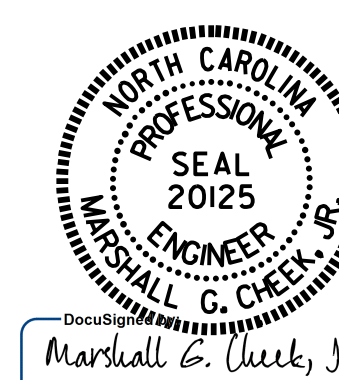
THERE ARE 40 C1 BARS IN SECTION OF BARREL



DETAIL
CONNECTION OF WING FOOTING
AND FLOOR SLAB WHEN SLAB
IS THICKER THAN FOOTING

PROJECT NO. U-2579C
FORSYTH COUNTY
STATION: 397+73.00 -L-

SHEET 3 OF 5



7/27/2017

STATE OF NORTH CAROLINA
DEPARTMENT OF TRANSPORTATION
RALEIGH
SINGLE 6 FT. X 7 FT.
CONCRETE BOX CULVERT

ASSEMBLED BY: N.D. AIUTO DATE: 3/31/16
CHECKED BY: H.A. LOCKLEAR DATE: 4/6/16
DESIGN ENGINEER OF RECORD: J.K. BOWLES DATE: 4/6/16

DOCUMENT NOT CONSIDERED
FINAL UNLESS ALL
SIGNATURES COMPLETED

REVISIONS						SHEET NO.
NO.	BY:	DATE:	NO.	BY:	DATE:	C1-3
1			3			TOTAL SHEETS
2			4			5

STR.#5