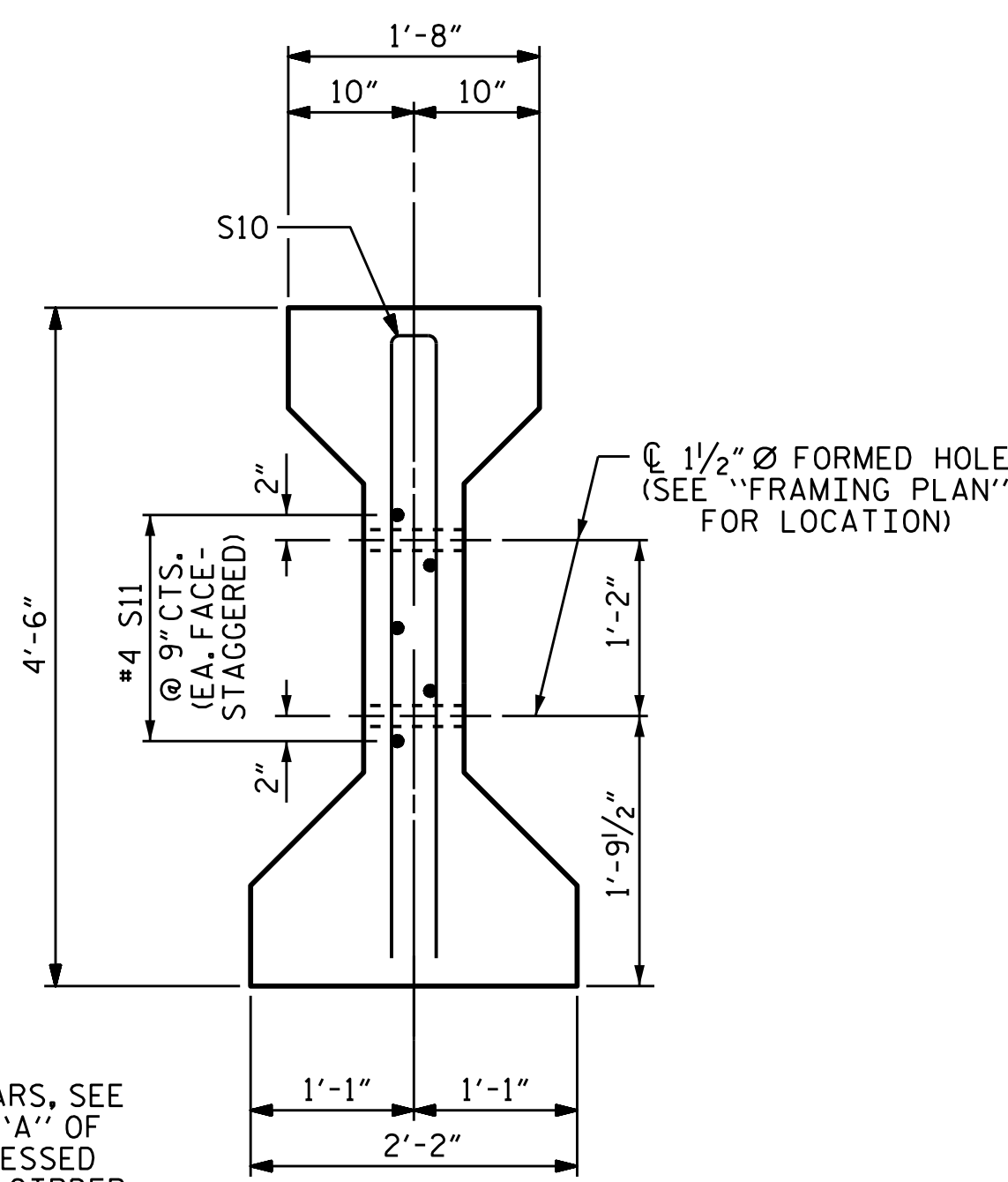


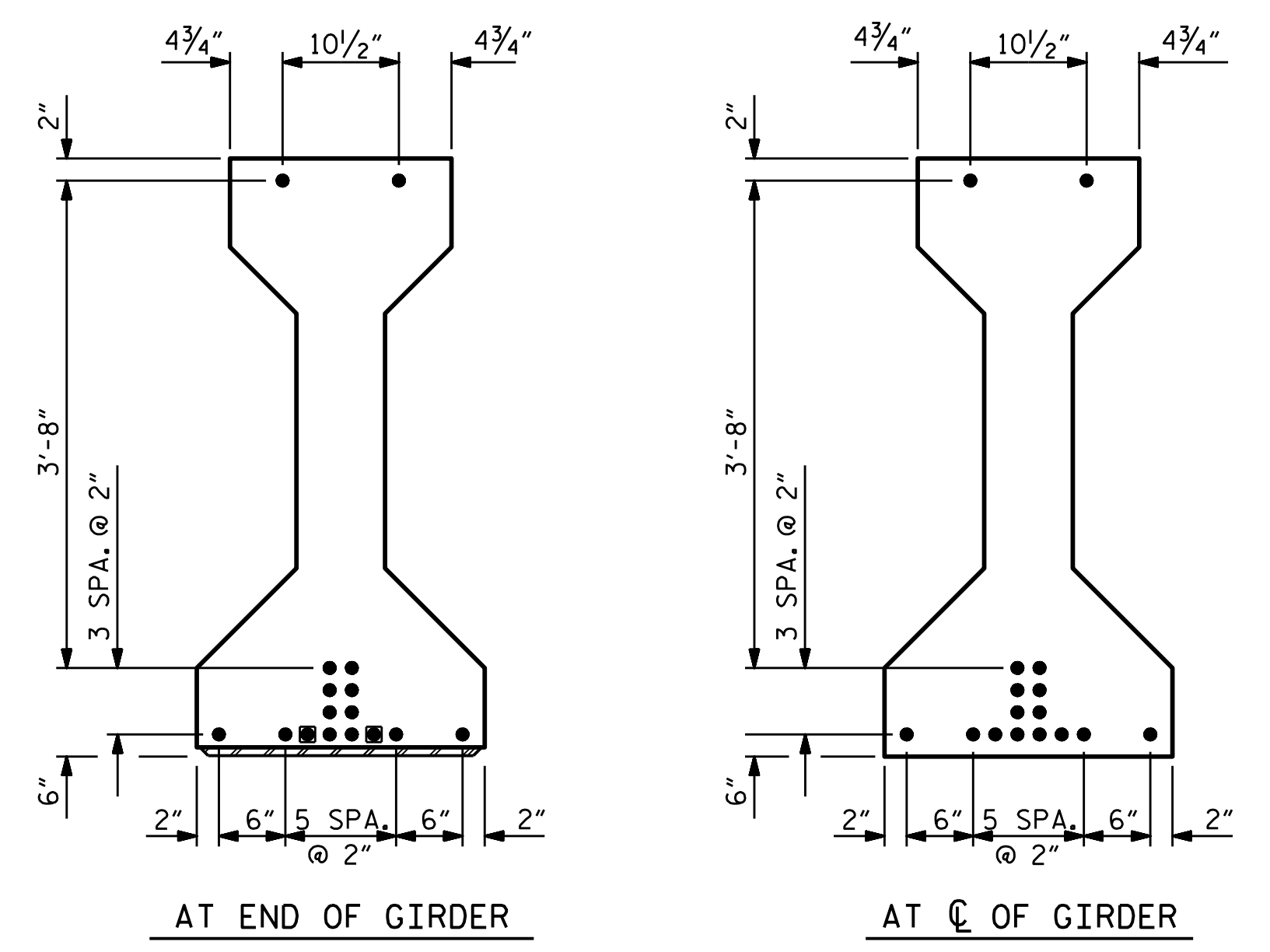
SECTION A-A

SECTION B-B



SECTION C-C
(S1 BARS NOT SHOWN)

* FOR S7 BARS, SEE
DETAIL "A" OF
"PRESTRESSED
CONCRETE GIRDER
CONTINUOUS FOR LIVE
LOAD DETAILS" SHEET



0.6" Ø LOW RELAXATION STRAND LAYOUT

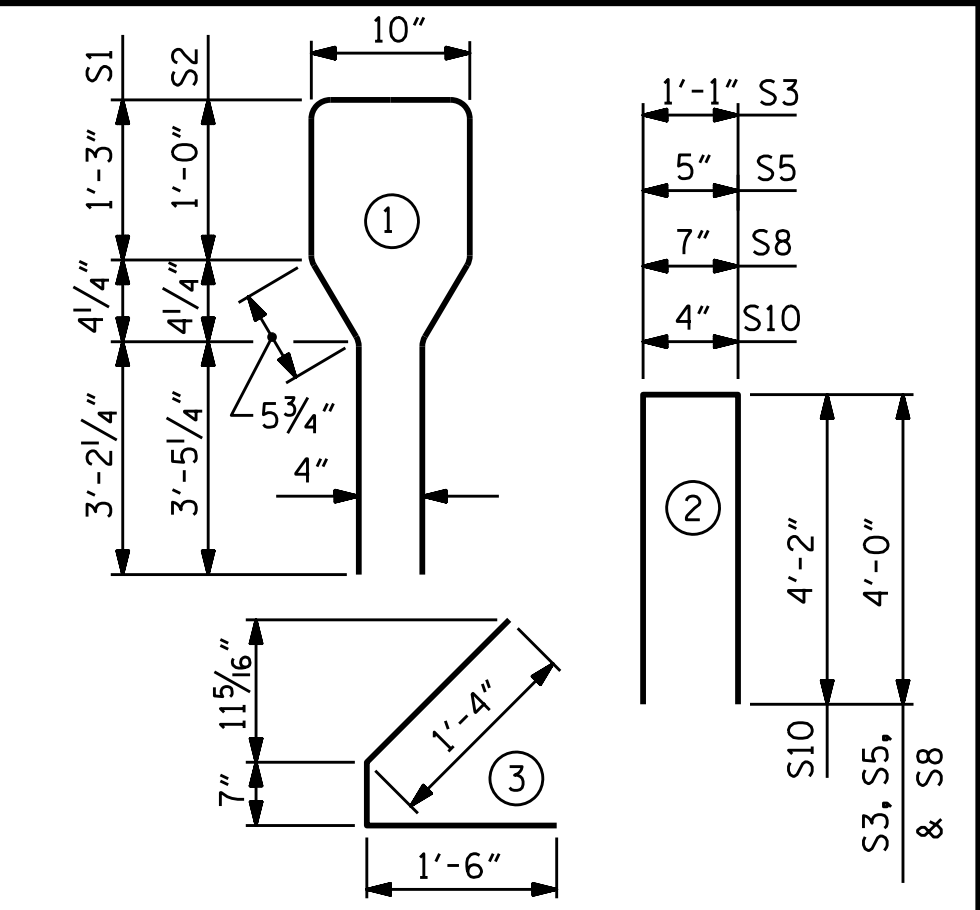
- FULLY BONDED STRANDS
- STRANDS DEBONDED FOR 12'-0" FROM END OF GIRDER

0.6" Ø L. R. GRADE 270 STRANDS		
AREA (SQUARE INCHES)	ULTIMATE STRENGTH (LBS. PER STRAND)	APPLIED PRESTRESS (LBS. PER STRAND)
0.217	58,600	43,950

REINFORCING STEEL FOR ONE GIRDER					
BAR	NUMBER	SIZE	TYPE	LENGTH	WEIGHT
S1	80	#4	1	10'-8"	570
S2	12	#6	1	10'-8"	192
S3	4	#4	2	9'-1"	24
S4	72	#4	3	3'-5"	164
S5	6	#4	2	8'-5"	34
* S7	18	#5	STR	3'-7"	69
S8	4	#4	2	8'-7"	23
S9	2	#3	STR	1'-10"	1
S10	2	#5	2	8'-8"	18
S11	5	#4	STR	7'-0"	23
S13	1	#3	STR	1'-4"	1

* NOTE: S7 BARS SHALL BE BENT BEFORE SHIPMENT. HEAT BENDING SHALL NOT BE ALLOWED.

BAR TYPES

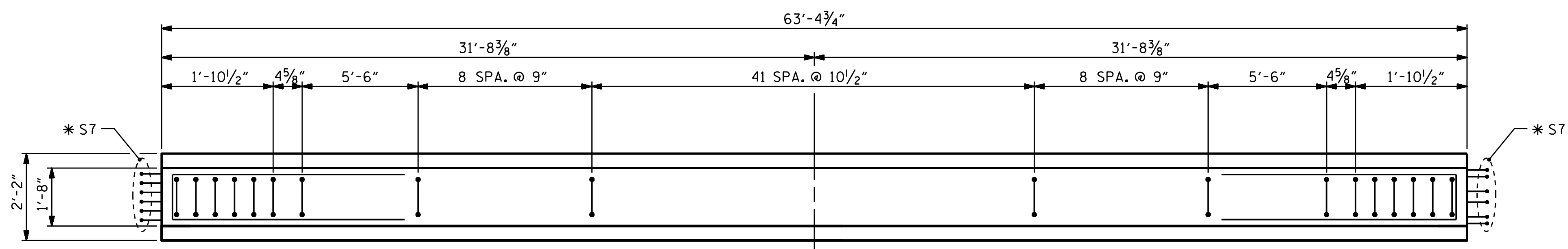


ALL BAR DIMENSIONS ARE OUT-TO-OUT.

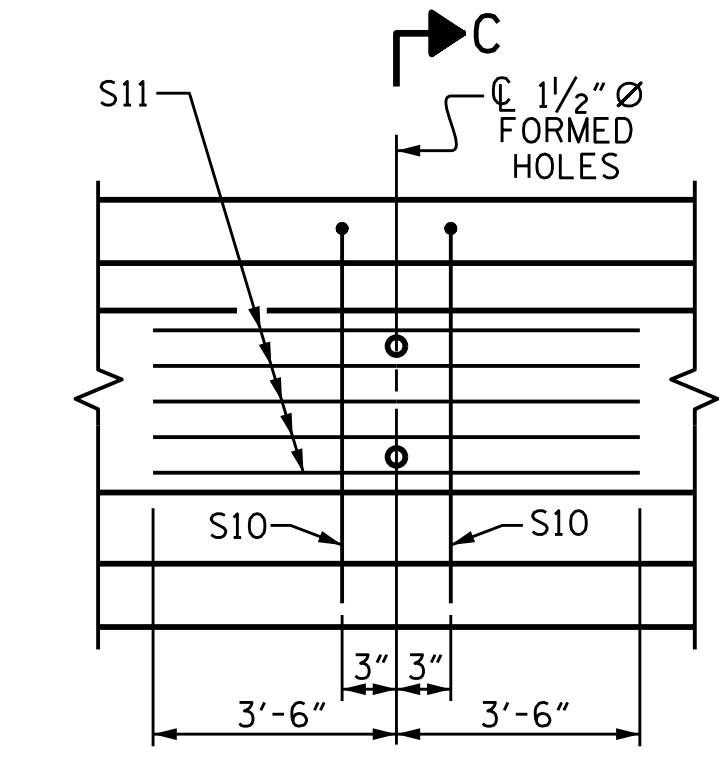
QUANTITIES FOR ONE GIRDER

REINFORCING STEEL	5,000 PSI CONCRETE	0.6" Ø L. R. STRANDS
LBS.	C.Y.	No.
1,119	12.9	16

GIRDERS REQUIRED		
NUMBER	LENGTH	TOTAL LENGTH
9	63'-4 3/4"	570'-6 3/4"

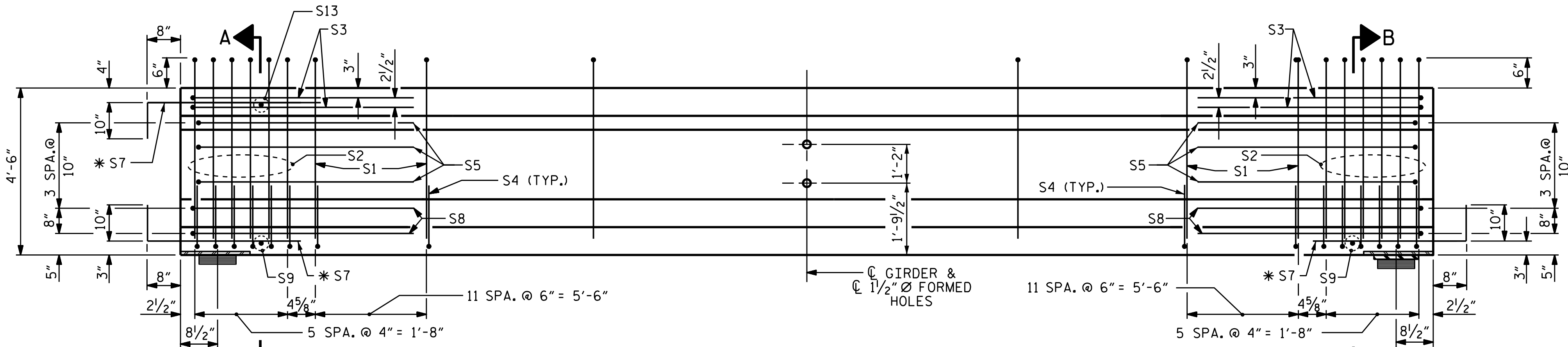


PLAN OF GIRDER



PARTIAL ELEVATION

SHOWING INTERMEDIATE DIAPHRAGM REINFORCING STEEL FOR SPAN A GIRDERS.



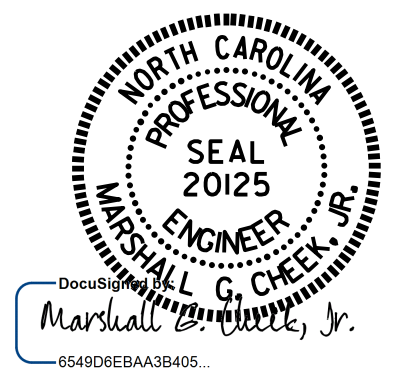
ELEVATION OF GIRDER

(SEE PARTIAL ELEVATION FOR ADDITIONAL "S" BARS)

INTEGRAL END BENT

FIX

ASSEMBLED BY : H. A. LOCKLEAR	DATE : 12-15
CHECKED BY : N. D'AUTO	DATE : 6/15/16
DRAWN BY : ELR 8/91	REV. 5/1/06R TLA/GM
CHECKED BY : GRP 8/91	REV. 10/1/11 MAA/GM
	REV. 1/15 MAA/TMG



8/1/2017

DOCUMENT NOT CONSIDERED FINAL UNLESS ALL SIGNATURES COMPLETED

PROJECT NO. U-2579C
 FORSYTH COUNTY
 STATION: 473+70.00 -L-

SHEET 1 OF 4

STATE OF NORTH CAROLINA
 DEPARTMENT OF TRANSPORTATION
 RALEIGH
 STANDARD
 AASHTO TYPE IV
 PRESTRESSED CONCRETE GIRDER
 CONTINUOUS FOR LIVE LOAD
 SPAN A
 (RIGHT LANE)

REVISIONS						SHEET NO.
NO.	BY:	DATE:	NO.	BY:	DATE:	S4-11
1			3			TOTAL SHEETS 33
2			4			

STR. #4 STD. NO. PCG6