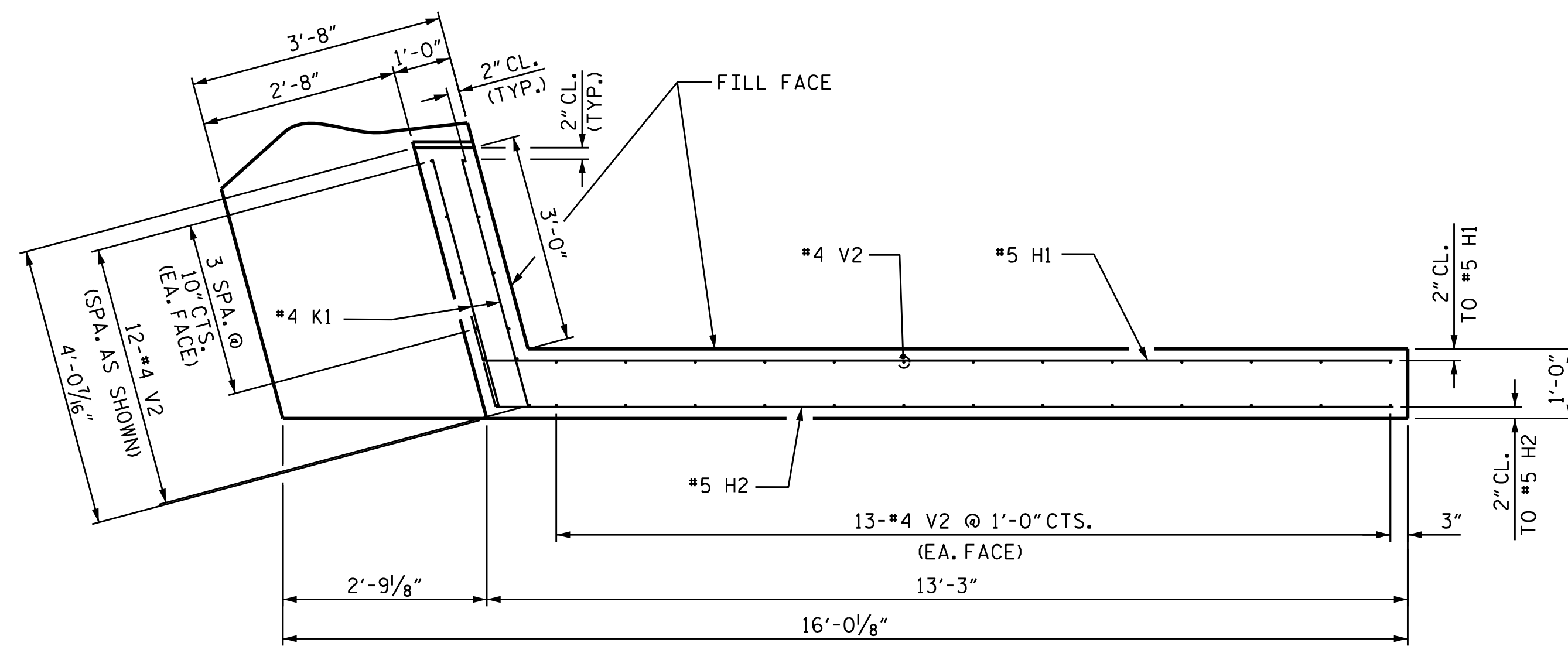
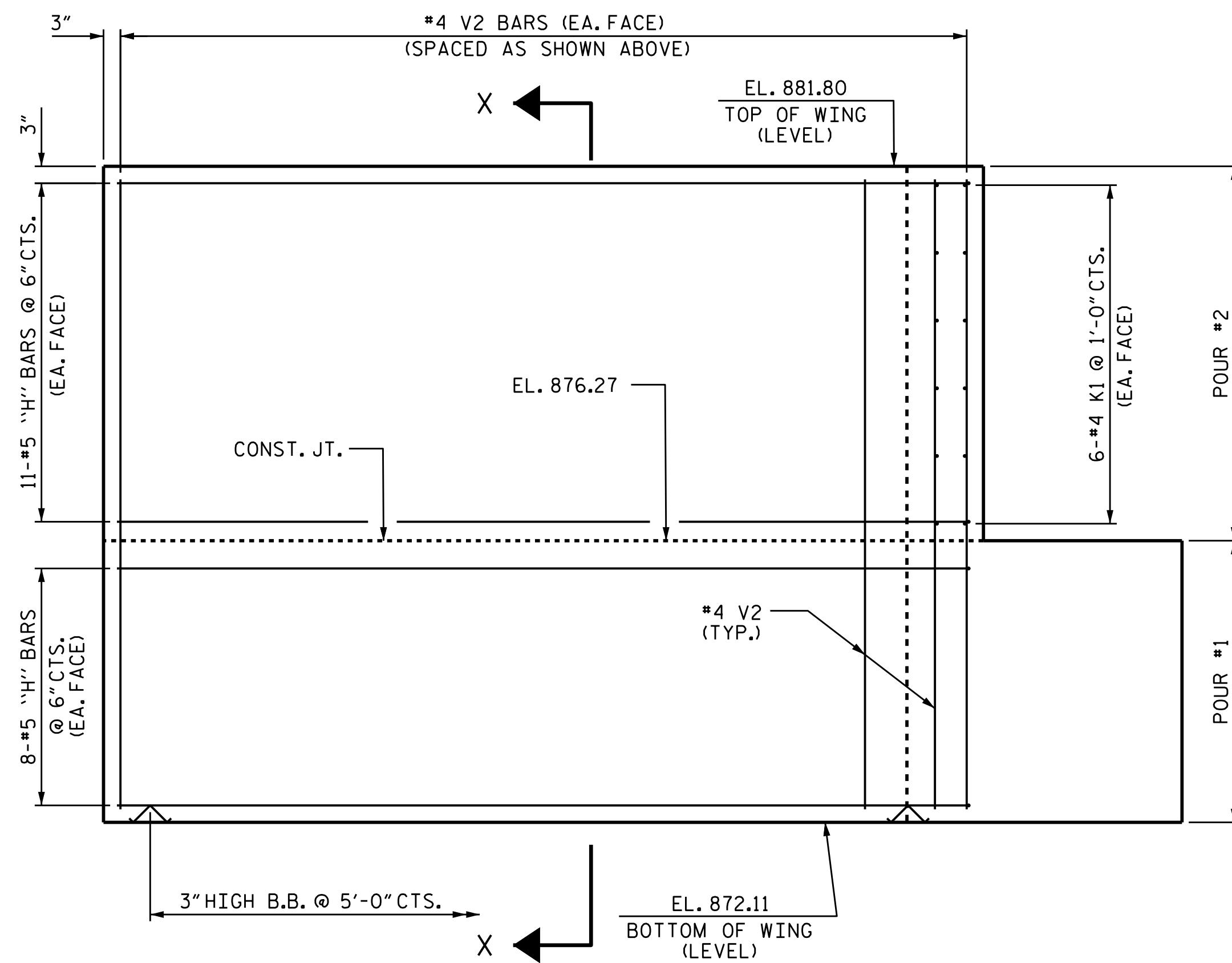


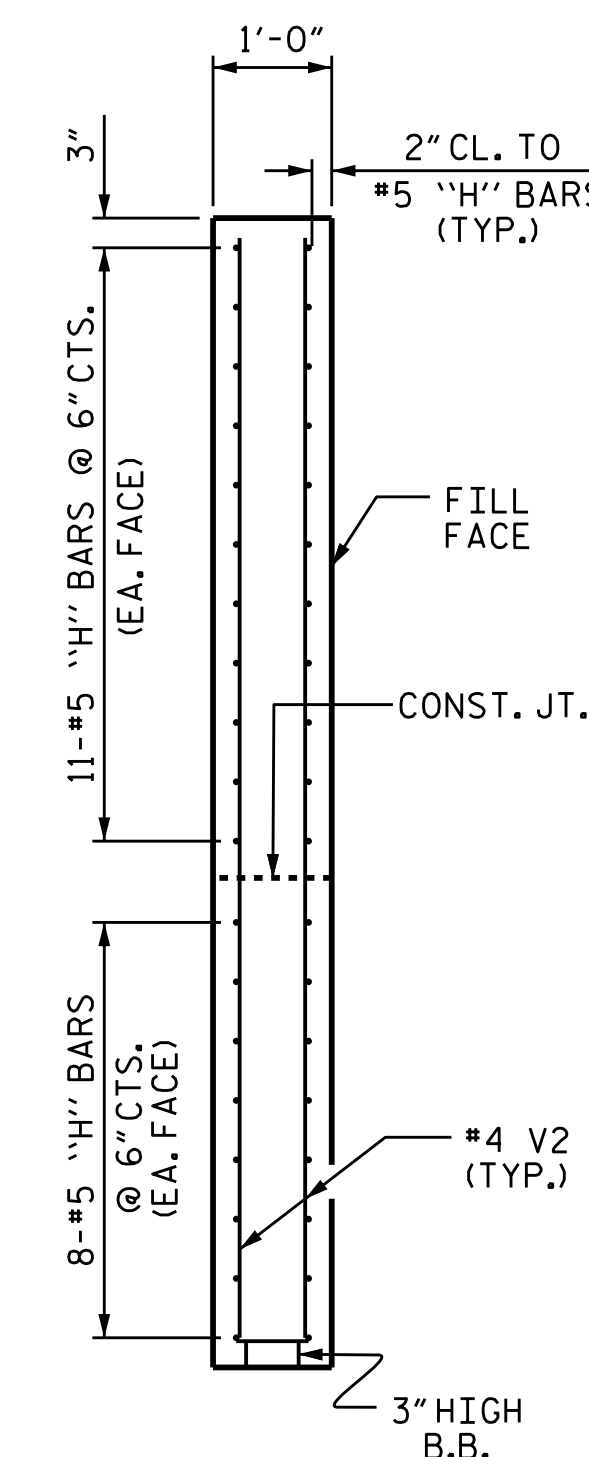
PLAN OF LEFT WING



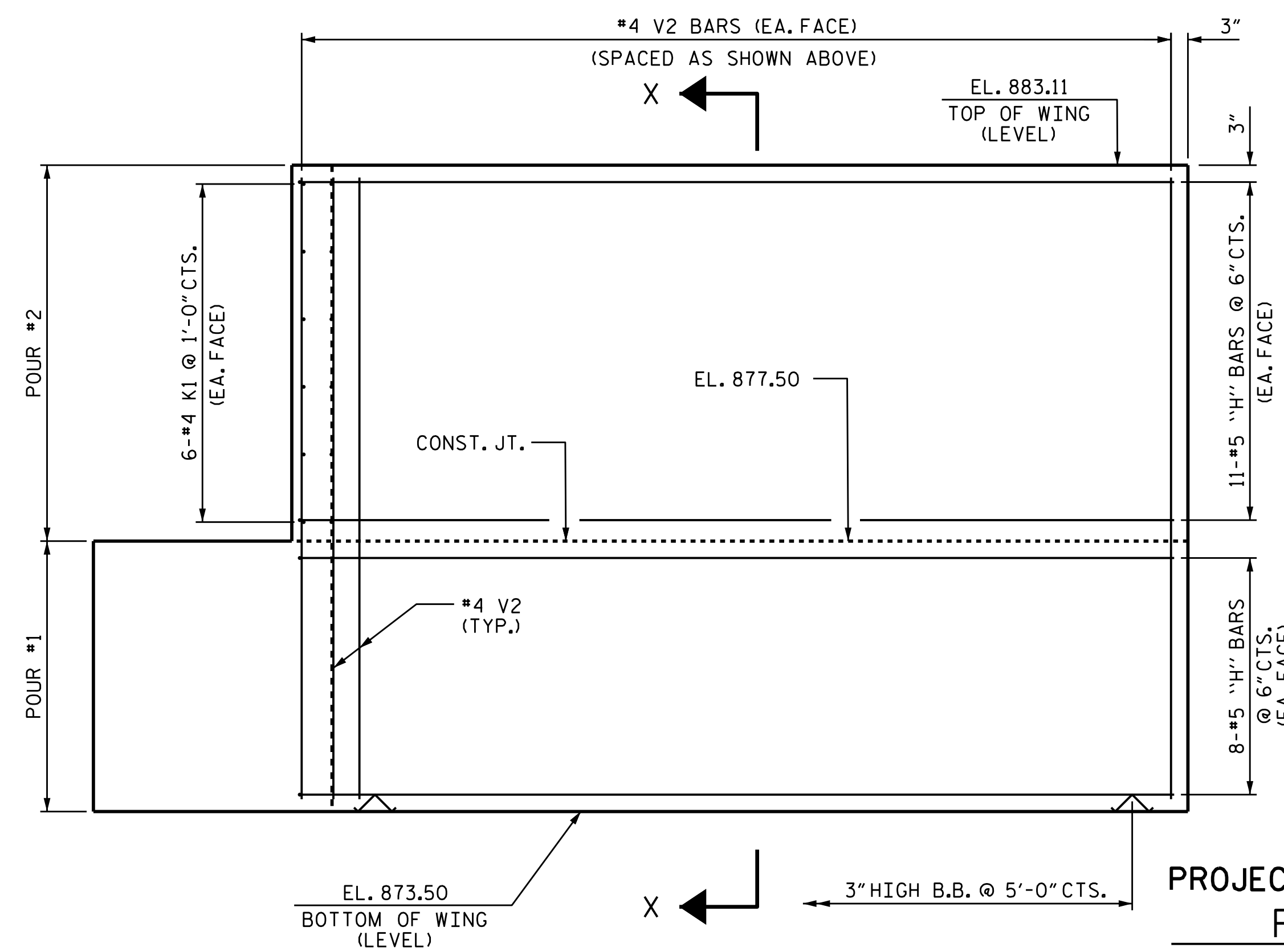
PLAN OF RIGHT WING



ELEVATION OF LEFT WING



SECTION X-X



ELEVATION OF RIGHT WING

PROJECT NO. U-2579C
FORSYTH COUNTY
 STATION: 473+70.00 -L-

SHEET 2 OF 3



STATE OF NORTH CAROLINA
 DEPARTMENT OF TRANSPORTATION
 RALEIGH
 SUBSTRUCTURE
 INTEGRAL
 END BENT 2
 (LEFT LANE)

DRAWN BY: H.A. LOCKLEAR DATE: 6/22/16
 CHECKED BY: K.D. LAYNE DATE: 8/3/16
 DESIGN ENGINEER OF RECORD: H.A. LOCKLEAR DATE: 8/18/16

DOCUMENT NOT CONSIDERED
 FINAL UNLESS ALL
 SIGNATURES COMPLETED

| REVISIONS | | | | | | SHEET NO. | |
|-----------|-----|-------|-----|-----|-------|--------------|--|
| NO. | BY: | DATE: | NO. | BY: | DATE: | TOTAL SHEETS | |
| 1 | | | 3 | | | 33-29 | |
| 2 | | | 4 | | | 33 | |