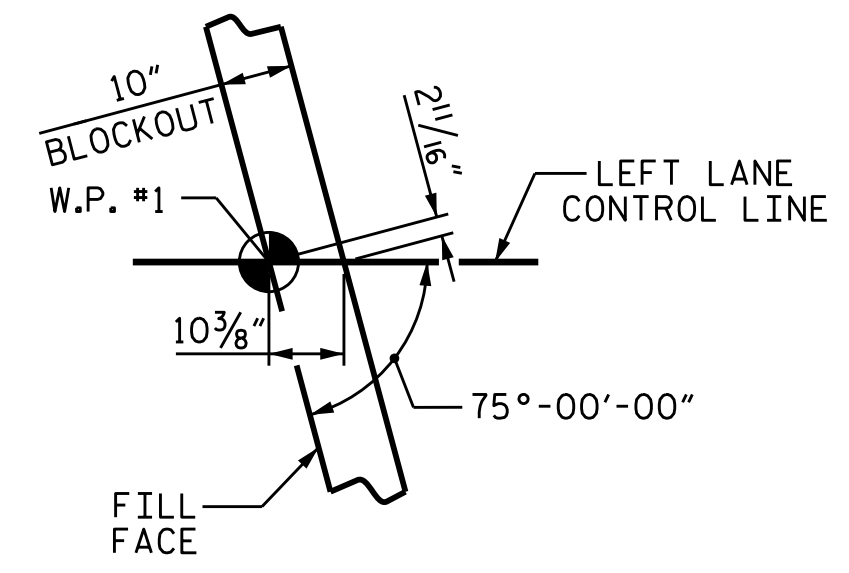


TRANSVERSE CONSTRUCTION JOINT DETAIL

NOTE: REINFORCING STEEL IN SLAB NOT SHOWN. LONGITUDINAL REINFORCING STEEL SHALL BE CONTINUOUS THROUGH JOINT.



DETAIL "A"

PLAN OF SPAN A

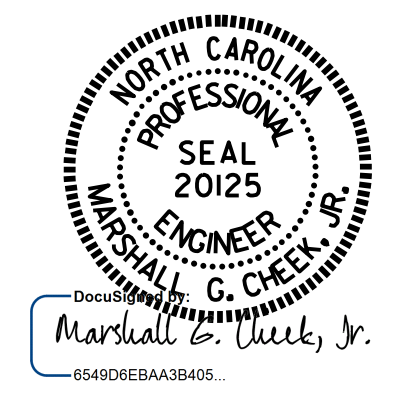
INTERMEDIATE STEEL DIAPHRAGMS NOT SHOWN FOR CLARITY. FOR DETAILS, SEE "INTERMEDIATE STEEL DIAPHRAGMS FOR PRESTRESSED CONCRETE GIRDERS" SHEET.

* 2 BAR RUNS FOR A101 THROUGH A103 & A201 THROUGH A203.

PROJECT NO. U-2579C
 FORSYTH COUNTY
 STATION: 473+70.00 -L-

SHEET 1 OF 3

STATE OF NORTH CAROLINA
 DEPARTMENT OF TRANSPORTATION
 RALEIGH
 SUPERSTRUCTURE
 PLAN OF SPAN A
 (LEFT LANE)



7/27/2017

DRAWN BY: J. K. BOWLES DATE: 1/20/16
 CHECKED BY: N. D'AIUTO DATE: 3/17/16
 DESIGN ENGINEER OF RECORD: H. A. LOCKLEAR DATE: 3/17/16

DOCUMENT NOT CONSIDERED FINAL UNLESS ALL SIGNATURES COMPLETED

REVISIONS						SHEET NO.	
NO.	BY:	DATE:	NO.	BY:	DATE:	S3-7	
1			3			TOTAL SHEETS	
2			4			33	

STR. #3