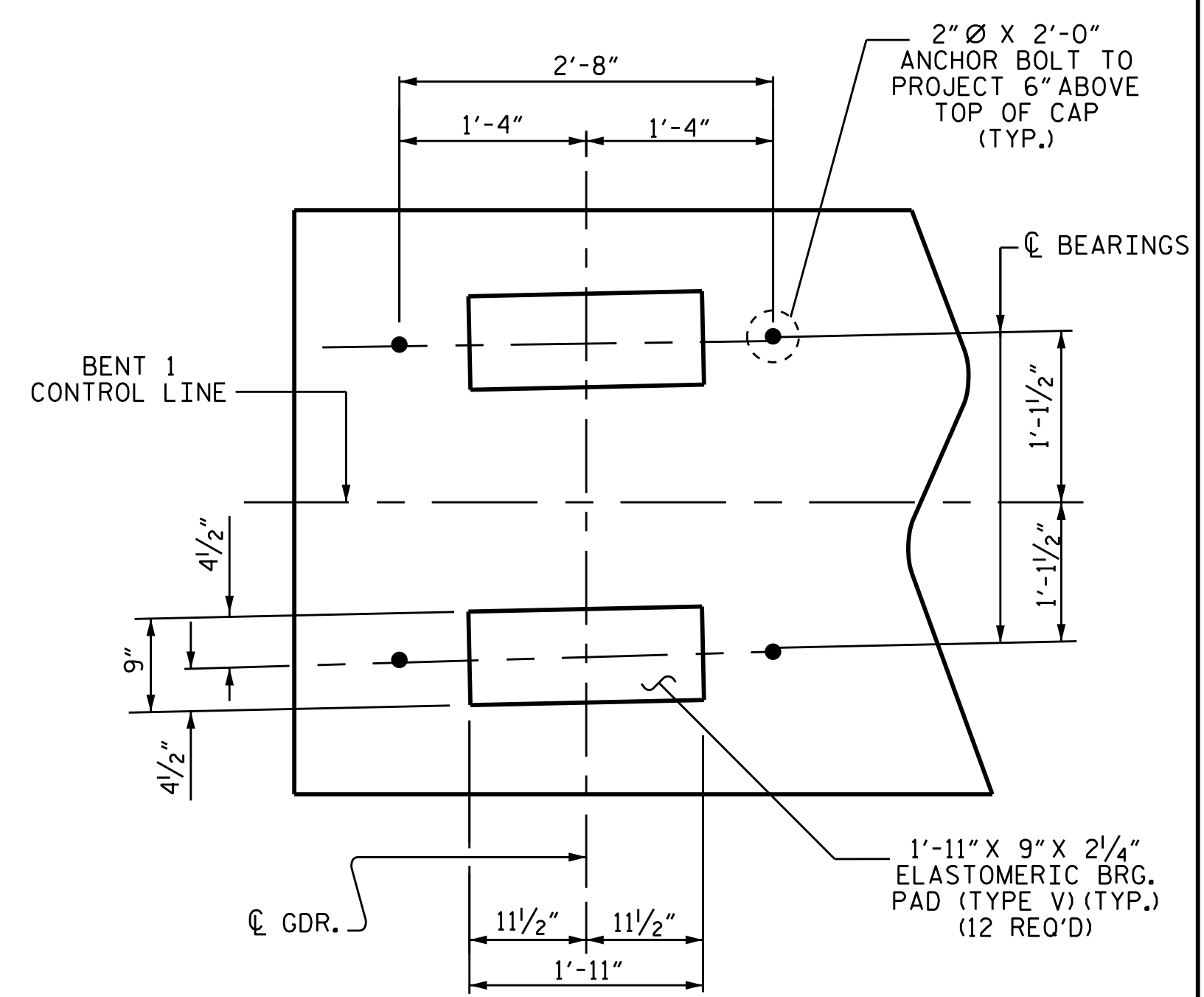


END VIEW

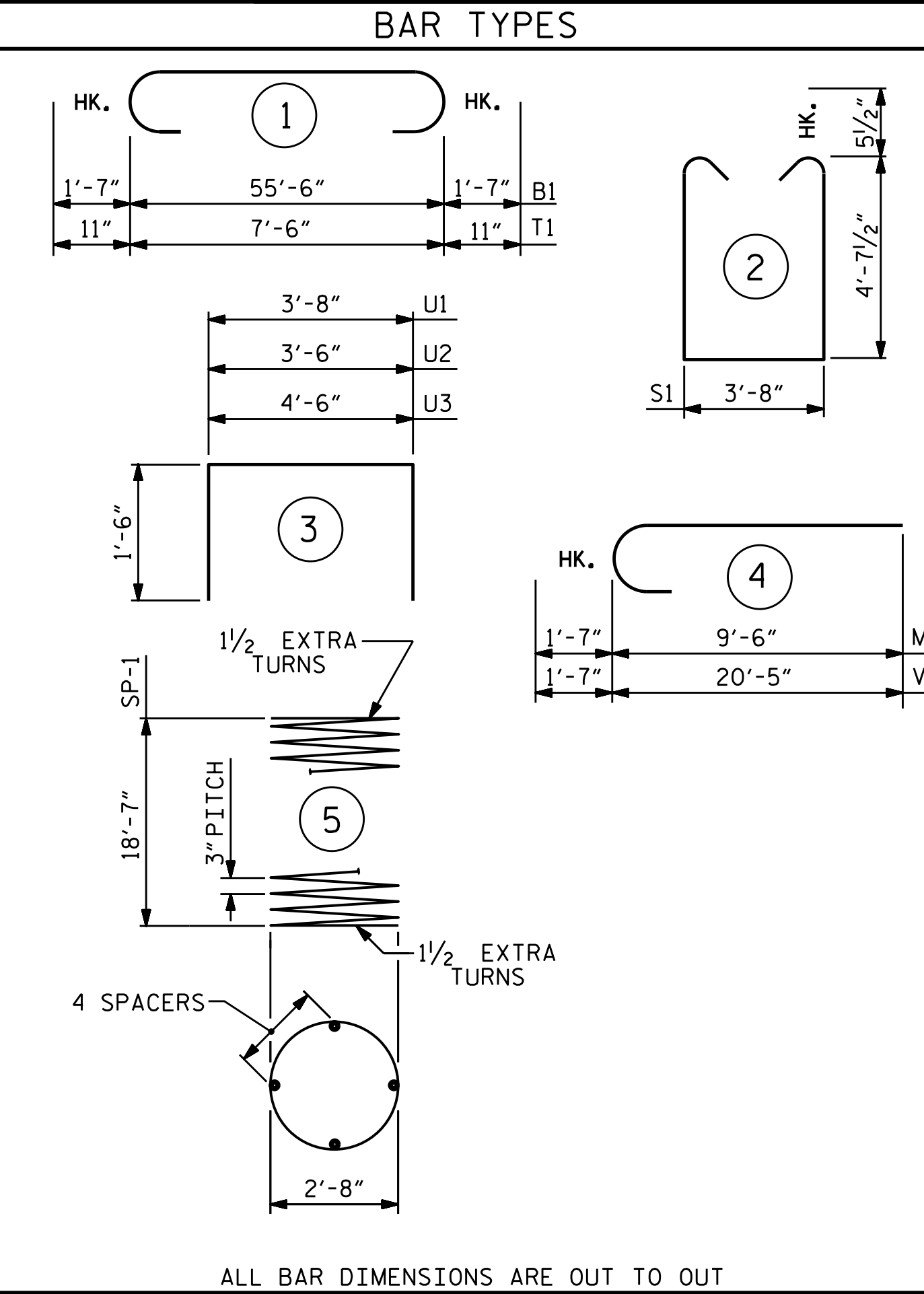
SECTION A-A

\* INVERT ALTERNATE STIRRUPS



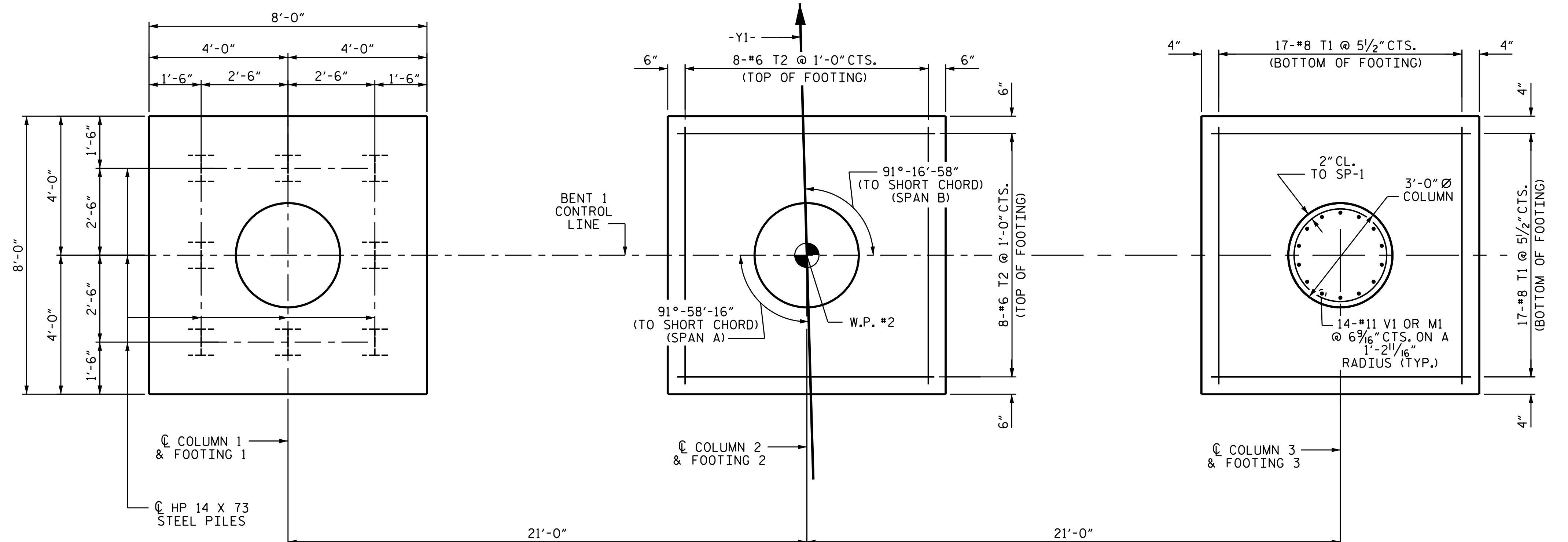
DETAIL "A"

DIMENSIONS ARE TYPICAL FOR EACH BEARING.



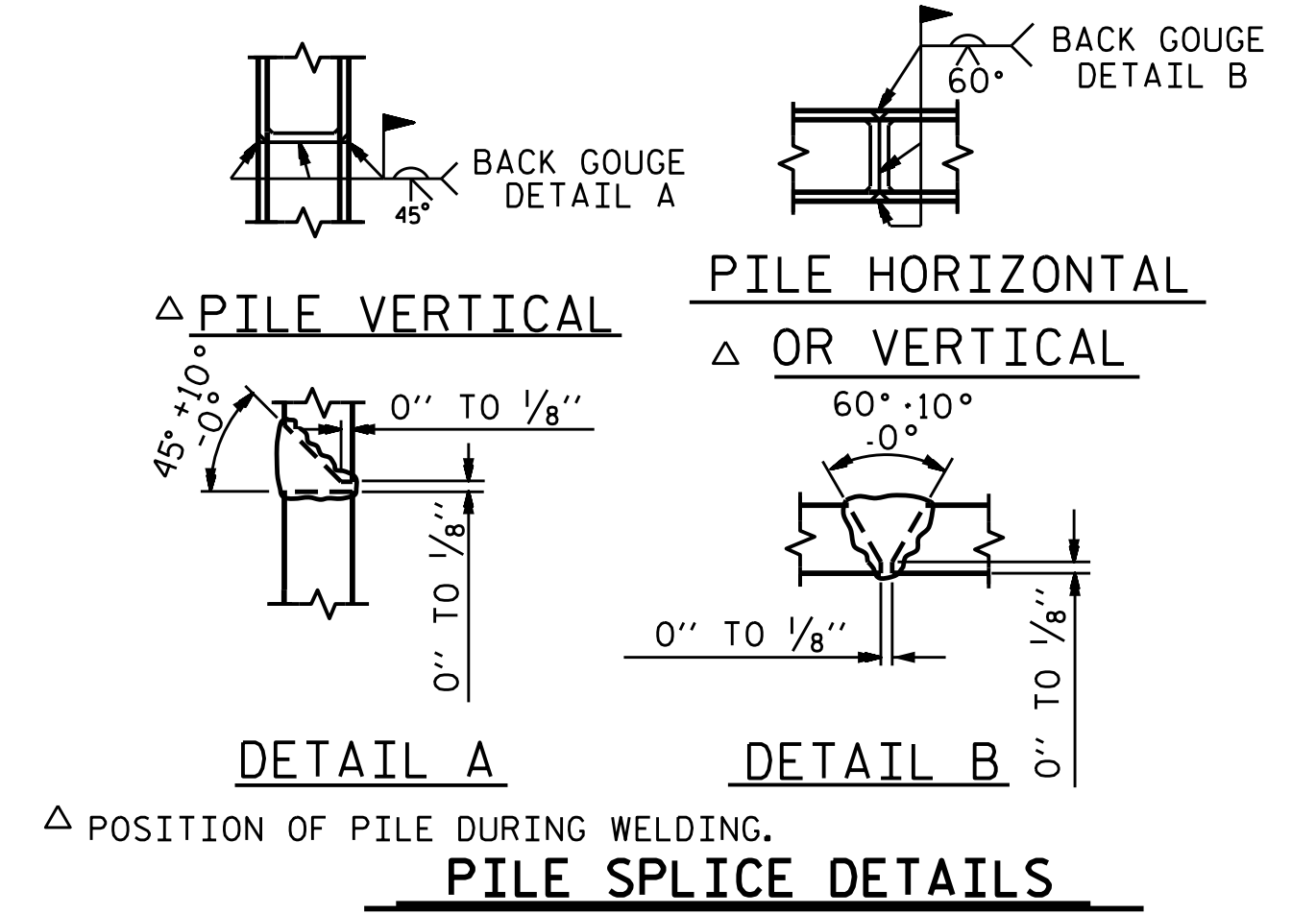
ALL BAR DIMENSIONS ARE OUT TO OUT

| BILL OF MATERIAL  |     |      |      |          |        |
|---|-----|------|------|----------|--------|
| BAR   | NO. | SIZE | TYPE | LENGTH   | WEIGHT |
| B1  | 8   | #11  | 1    | 58'-8"   | 2494   |
| B2  | 6   | #11  | STR  | 55'-8"   | 1775   |
| B3  | 8   | #5   | STR  | 55'-8"   | 464    |
| B4  | 8   | #4   | STR  | 13'-10"  | 74     |
| M1  | 42  | #11  | 4    | 11'-1"   | 2473   |
| S1  | 98  | #5   | 2    | 13'-10"  | 1414   |
| T1  | 102 | #8   | 1    | 9'-4"    | 2542   |
| T2  | 48  | #6   | STR  | 7'-8"    | 553    |
| U1  | 43  | #4   | 3    | 6'-8"    | 191    |
| U2  | 10  | #4   | 3    | 6'-6"    | 43     |
| U3  | 6   | #4   | 3    | 7'-6"    | 30     |
| V1  | 42  | #11  | 4    | 22'-0"   | 4909   |
| REINFORCING STEEL   |     |      |      | LBS.     | 16,962 |
| SP-1  | 3   | *    | 5    | 639'-5"  | 1281   |
| SPIRAL COLUMN REINFORCING STEEL   |     |      |      | LBS.     | 1,281  |
| * THE SP-1 SPIRAL REINFORCING STEEL SHALL BE W20 OR D-20 COLD DRAWN WIRE OR #4 PLAIN OR DEFORMED BAR. |     |      |      |          |        |
| CLASS A CONCRETE  |     |      |      |          |        |
| POUR #1 (FOOTINGS)  |     |      |      | C.Y.     | 23.1   |
| POUR #2 (COLUMNS)   |     |      |      | C.Y.     | 14.4   |
| POUR #3 (CAP)   |     |      |      | C.Y.     | 42.9   |
| TOTAL CLASS A CONCRETE  |     |      |      | C.Y.     | 80.4   |
| FOUNDATION EXCAVATION   |     |      |      | LUMP SUM |        |
| HP 14 X 73 STEEL PILES  |     |      |      |          |        |
| No.: 24   |     |      |      | LIN. FT. | 480    |
| STEEL PILE POINTS   |     |      |      | EA.      | 24     |
| PILE DRIVING EQUIPMENT SETUP FOR HP 14 X 73 STEEL PILES   |     |      |      | EA.      | 24     |



PLAN OF FOOTINGS AND COLUMNS

DIMENSIONS AND REINFORCING STEEL ARE TYPICAL FOR EACH COLUMN & FOOTING



PILE SPLICE DETAILS

PROJECT NO. U-2579C  
 FORSYTH COUNTY  
 STATION: 29+24.97 -Y1-

SHEET 2 OF 2



STATE OF NORTH CAROLINA  
 DEPARTMENT OF TRANSPORTATION  
 RALEIGH  
 SUBSTRUCTURE  
 BENT 1

DRAWN BY: N.D. AIUTO DATE: 4/5/16  
 CHECKED BY: K.D. LAYNE DATE: 4/21/16  
 DESIGN ENGINEER OF RECORD: H.A. LOCKLEAR DATE: 6/20/17

DOCUMENT NOT CONSIDERED FINAL UNLESS ALL SIGNATURES COMPLETED

| REVISIONS |     |       |     |     |       | SHEET NO.    |
|-----------|-----|-------|-----|-----|-------|--------------|
| NO.       | BY: | DATE: | NO. | BY: | DATE: | S1-25        |
| 1         |     |       | 3   |     |       | TOTAL SHEETS |
| 2         |     |       | 4   |     |       | 32           |