

STATE OF NORTH CAROLINA
DEPT. OF TRANSPORTATION
DIVISION OF HIGHWAYS
RALEIGH, N.C.

ENGLISH DETAIL DRAWING FOR
GUIDE FOR PAVING
SHOULDERS UNDER BRIDGES
METHOD III

SHEET 1 OF 1
610D03

STATE OF NORTH CAROLINA
DEPT. OF TRANSPORTATION
DIVISION OF HIGHWAYS
RALEIGH, N.C.

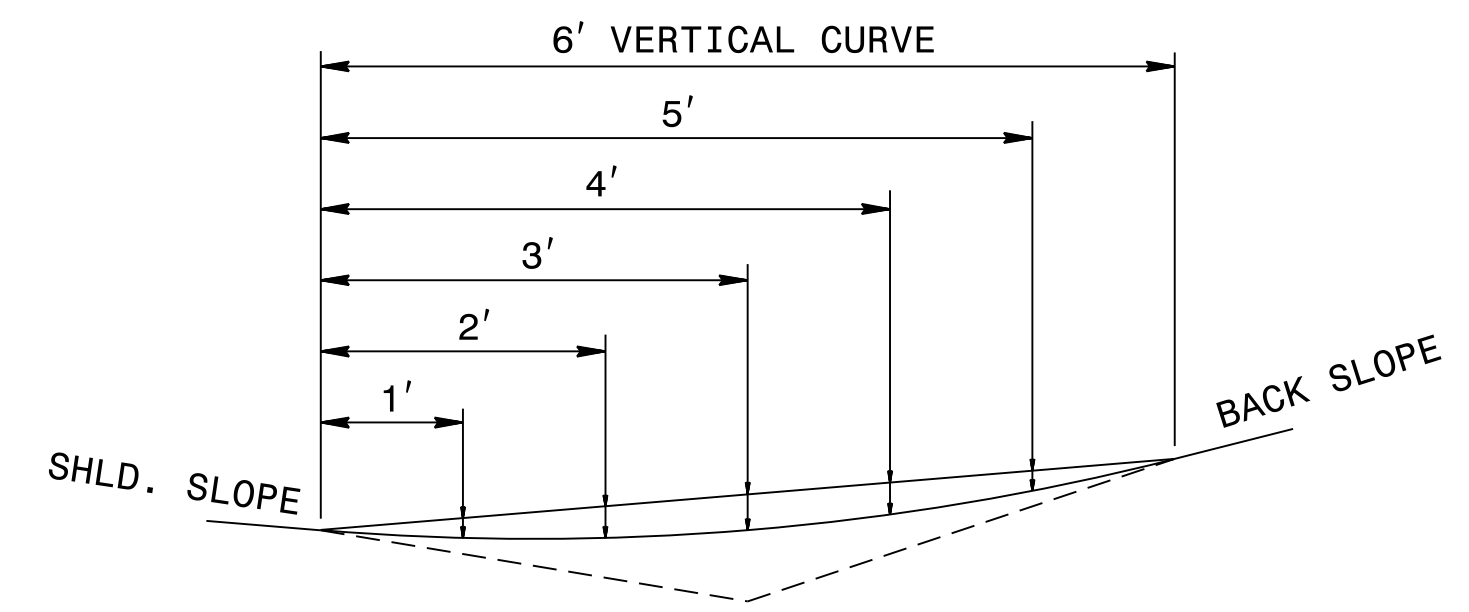
ENGLISH DETAIL DRAWING FOR
GUIDE FOR PAVING
SHOULDERS UNDER BRIDGES
METHOD III

SHEET 1 OF 1
610D03

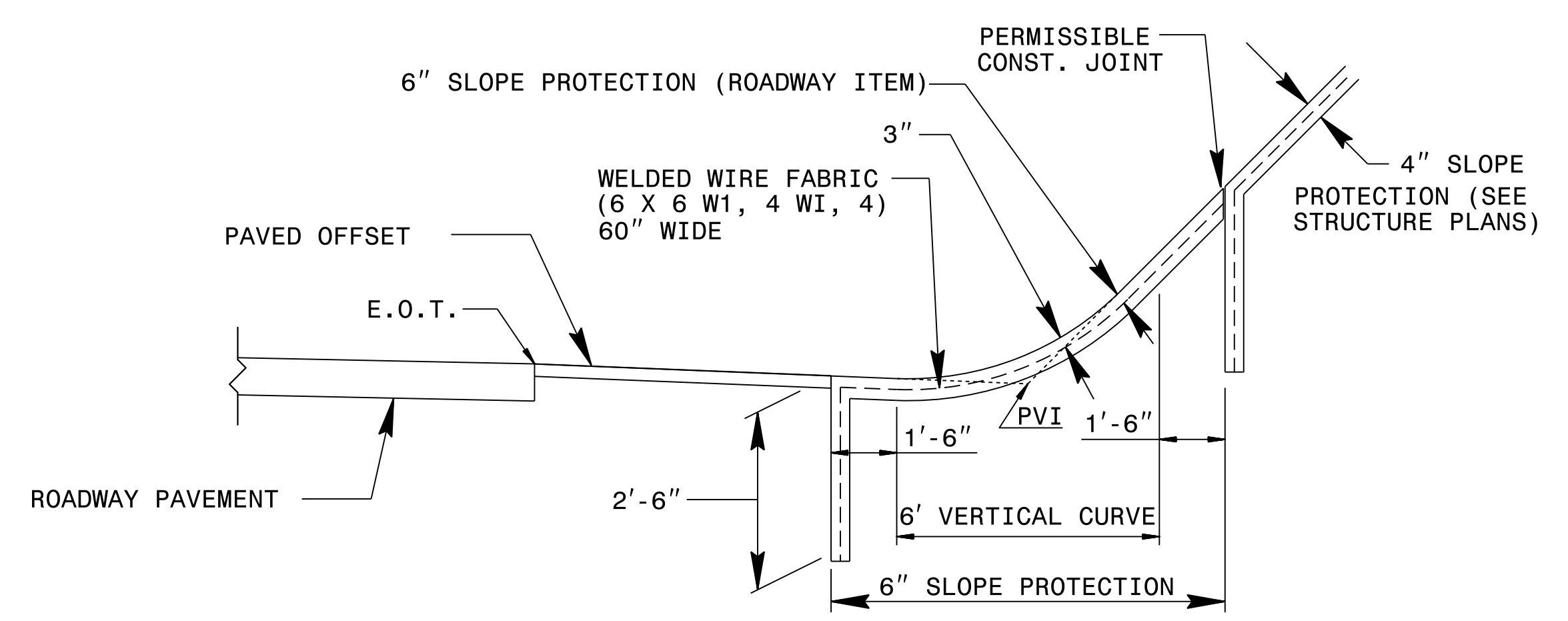
HORZ. DIM.	1½:1 BACK SLOPE									
	SHOULDER SLOPE									
	.04	.03	.02	.01	.00	-.01	-.02	-.03	-.04	-.05
1'	0.26'	0.27'	0.27'	0.27'	0.28'	0.28'	0.28'	0.29'	0.30'	0.31'
2'	0.42'	0.42'	0.43'	0.44'	0.44'	0.45'	0.46'	0.46'	0.47'	0.48'
3'	0.47'	0.48'	0.49'	0.49'	0.50'	0.51'	0.52'	0.52'	0.53'	0.54'
4'	0.42'	0.42'	0.43'	0.44'	0.44'	0.45'	0.46'	0.46'	0.47'	0.48'
5'	0.26'	0.27'	0.27'	0.27'	0.28'	0.28'	0.28'	0.29'	0.30'	0.31'

HORZ. DIM.	2:1 BACK SLOPE									
	SHOULDER SLOPE									
	.04	.03	.02	.01	.00	-.01	-.02	-.03	-.04	-.05
1'	0.19'	0.20'	0.20'	0.20'	0.21'	0.21'	0.22'	0.22'	0.23'	0.23'
2'	0.31'	0.31'	0.32'	0.33'	0.33'	0.34'	0.35'	0.35'	0.36'	0.37'
3'	0.35'	0.35'	0.36'	0.37'	0.38'	0.38'	0.39'	0.40'	0.41'	0.41'
4'	0.31'	0.31'	0.32'	0.33'	0.33'	0.34'	0.35'	0.35'	0.36'	0.37'
5'	0.19'	0.20'	0.20'	0.20'	0.21'	0.21'	0.22'	0.22'	0.23'	0.23'

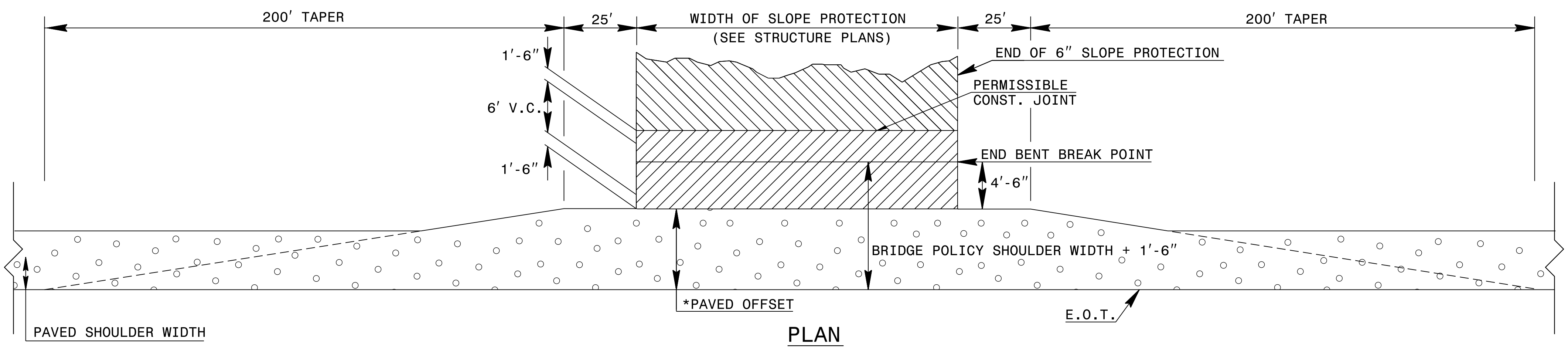
VERTICAL CURVE OFFSET
(FOR 6' V.C. AT BRIDGES)



TYPICAL SECTION



ELEVATION



PLAN

NOTES:
PAVE THE FULL WIDTH OF THE SHOULDER AS SHOWN WITH SHOULDER PAVEMENT MATERIAL AS SHOWN ON PLANS.
*PAVED OFFSET BASED ON BRIDGE POLICY (SEE STRUCTURE PLANS).
PROTECT SLOPE WITH REINFORCED CONCRETE PAVING. CONCRETE BLOCK PAVING WILL NOT BE PERMITTED.
OFFSETS FOR 6' V.C. DENOTES FINISHED GRADE OF SLOPE PROTECTION.

I4-JUN-2017 15:01 S:\Contracts\Special Details\Drawings\Division 6\0610d0301.dgn Jhowerton AT_CSD-252595

8/1/2017
SEAL 022966
ENGINEER
J. S. Howerton
DocuSigned by:
J. S. Howerton
873F3D17DCD45F...

DOCUMENT NOT CONSIDERED FINAL
UNLESS ALL SIGNATURES COMPLETED

CONTRACT STANDARDS
AND DEVELOPMENT UNIT
Office 919-707-6950 FAX 919-250-4119
SEE TITLE BLOCK
ORIGINAL BY: J. HOWERTON DATE: 06-22-12
MODIFIED BY: DATE:
CHECKED BY: DATE:
FILE SPEC.: DATE: