

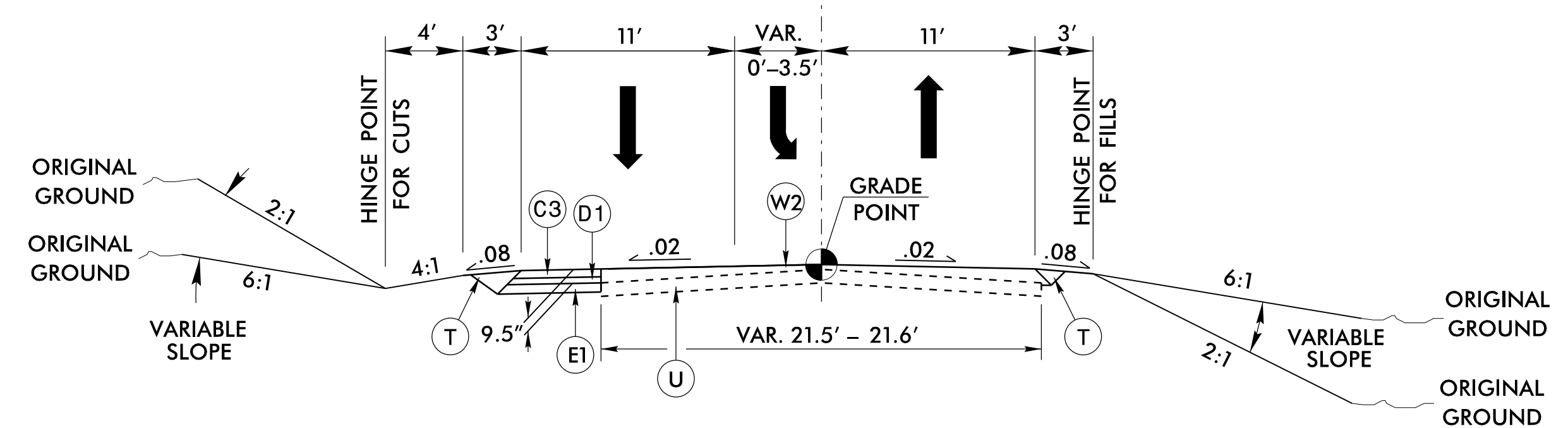
5/14/99

PROJECT REFERENCE NO. U-2579C	SHEET NO. 2A-7
RW SHEET NO.	
ROADWAY DESIGN ENGINEER	PAVEMENT ENGINEER
DOCUMENT NOT CONSIDERED FINAL UNLESS ALL SIGNATURES COMPLETED	



C3	3" S9.5B
D1	2.5" I19.0B
E1	4" B25.0B
T	EARTH MATERIAL
U	EXISTING PAVEMENT
W2	WEDGING

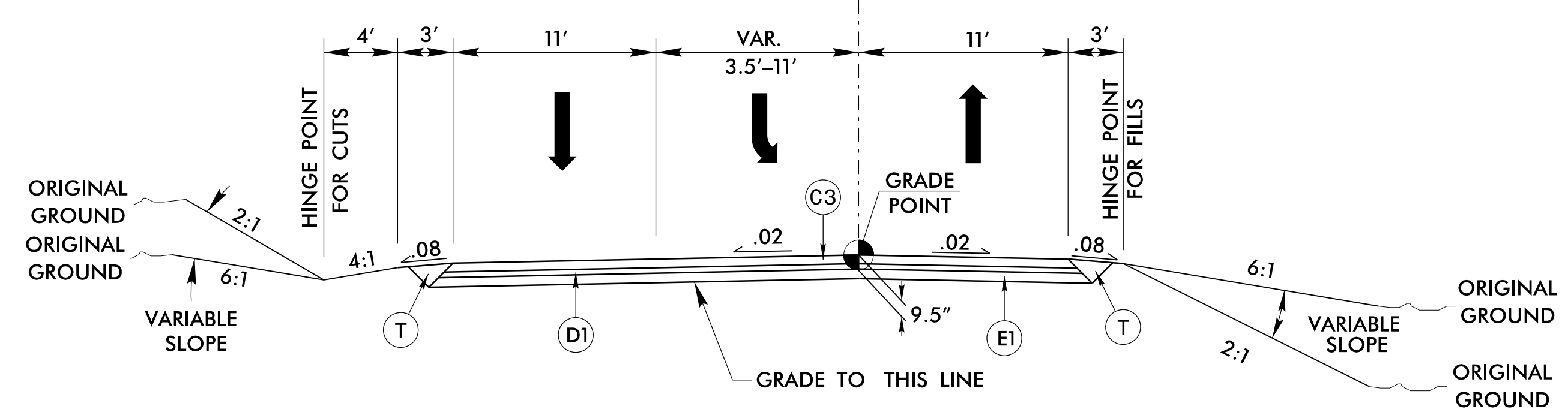
CL -Y3- (OLD WALKERTOWN RD.)



TYPICAL SECTION NO. 14

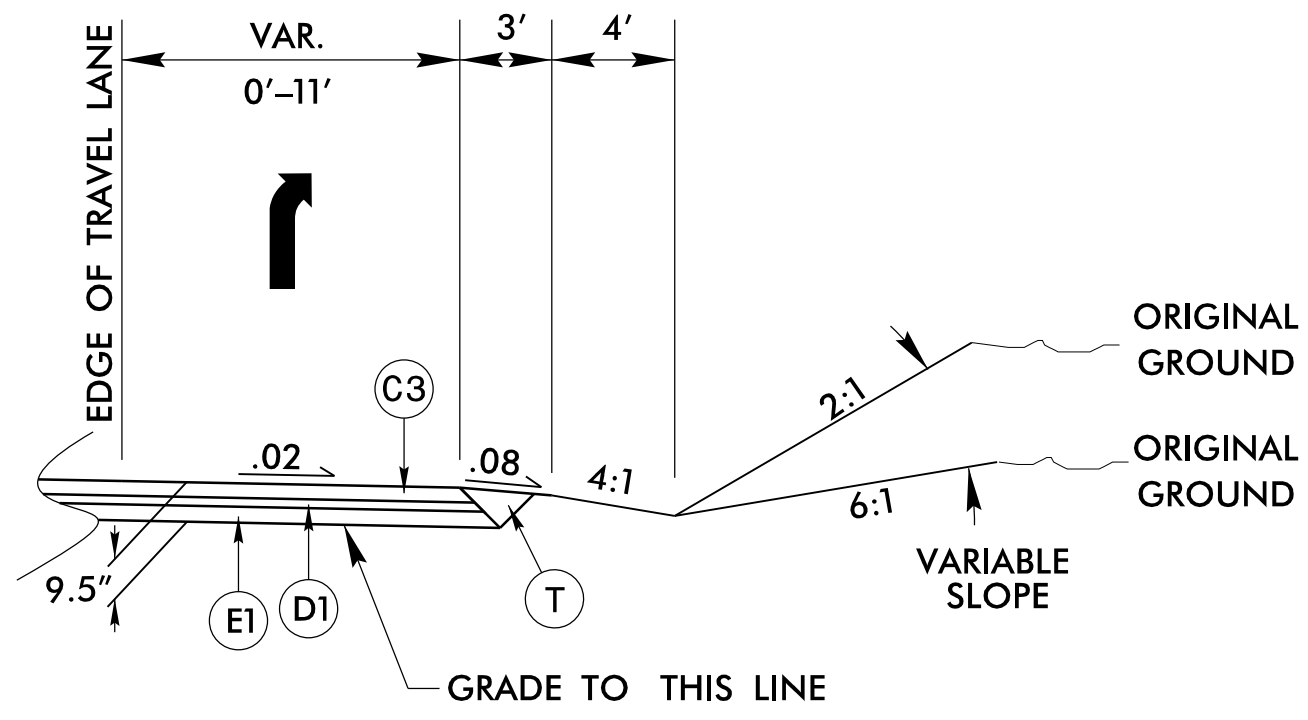
USE TYPICAL SECTION NO. 14:
-Y3- STA. 13+25.00 TO STA. 15+75.00
-Y3- STA. 24+75.00 TO STA. 26+50.00

CL -Y3- (OLD WALKERTOWN RD.)



TYPICAL SECTION NO. 15

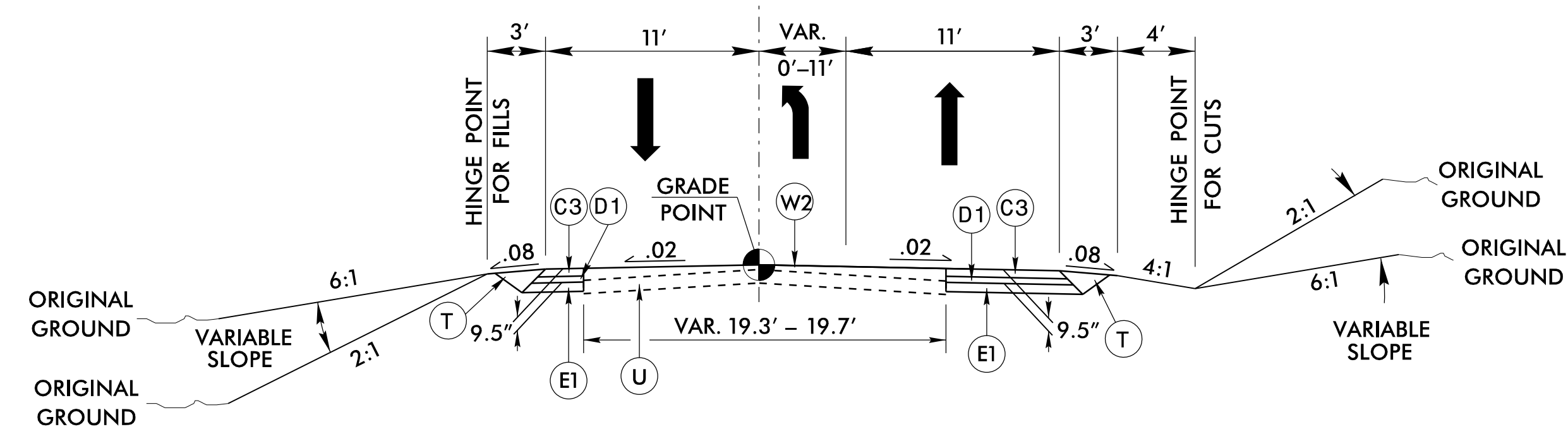
USE TYPICAL SECTION NO. 15:
-Y3- STA. 15+75.00 TO STA. 24+75.00



TYPICAL SECTION NO. 15A

USE IN CONJUNCTION WITH TYPICAL SECTION NO. 15
-Y3- STA. 16+25.00 TO STA. 18+75.00

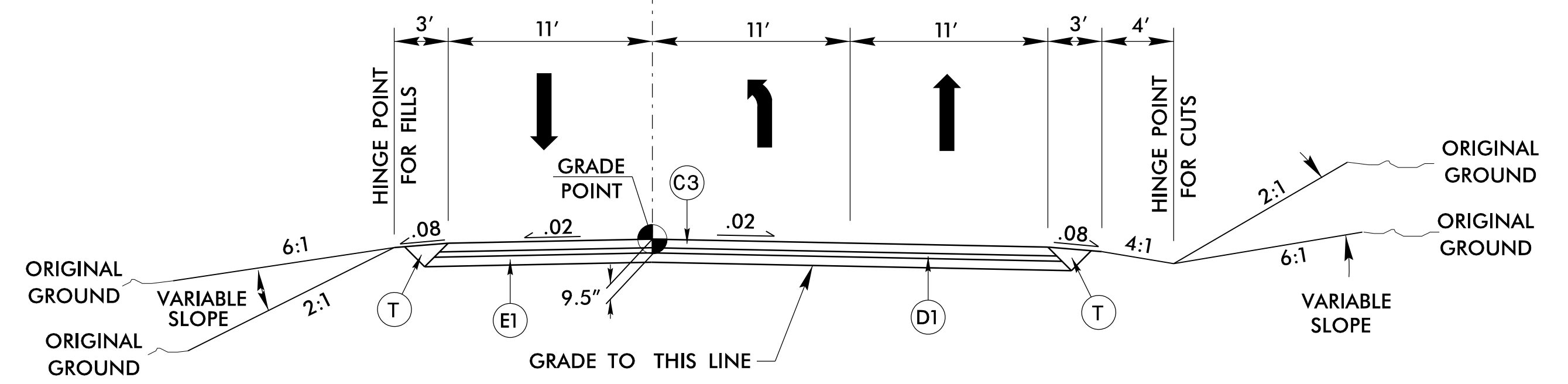
CL -Y4- (NORTHAMPTON DR.)



TYPICAL SECTION NO. 16

USE TYPICAL SECTION NO. 16:
-Y4- STA. 10+10.00 TO STA. 12+00.00

CL -Y4- (NORTHAMPTON DR.)



TYPICAL SECTION NO. 17

USE TYPICAL SECTION NO. 17:
-Y4- STA. 12+00.00 TO STA. 12+42.12

03 JUL 2017 15:35 P:\R\U2579C_rdy_ttyp.dgn