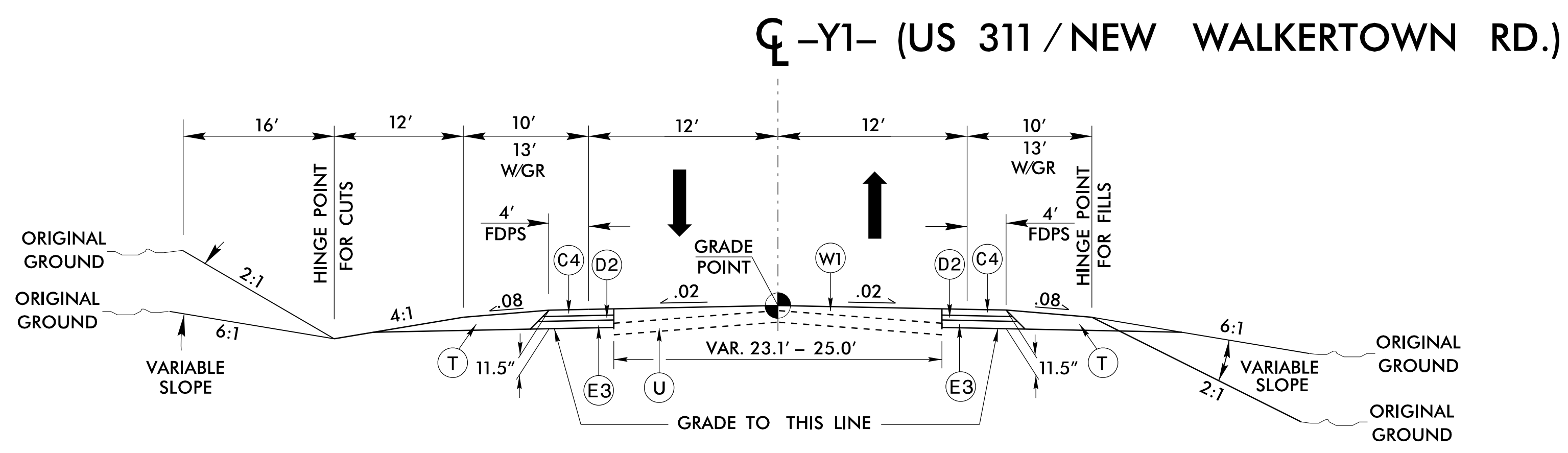


5/14/99

PROJECT REFERENCE NO. U-2579C	SHEET NO. 2A-3
RW SHEET NO.	
ROADWAY DESIGN ENGINEER	PAVEMENT ENGINEER
<b>DOCUMENT NOT CONSIDERED FINAL UNLESS ALL SIGNATURES COMPLETED</b>	

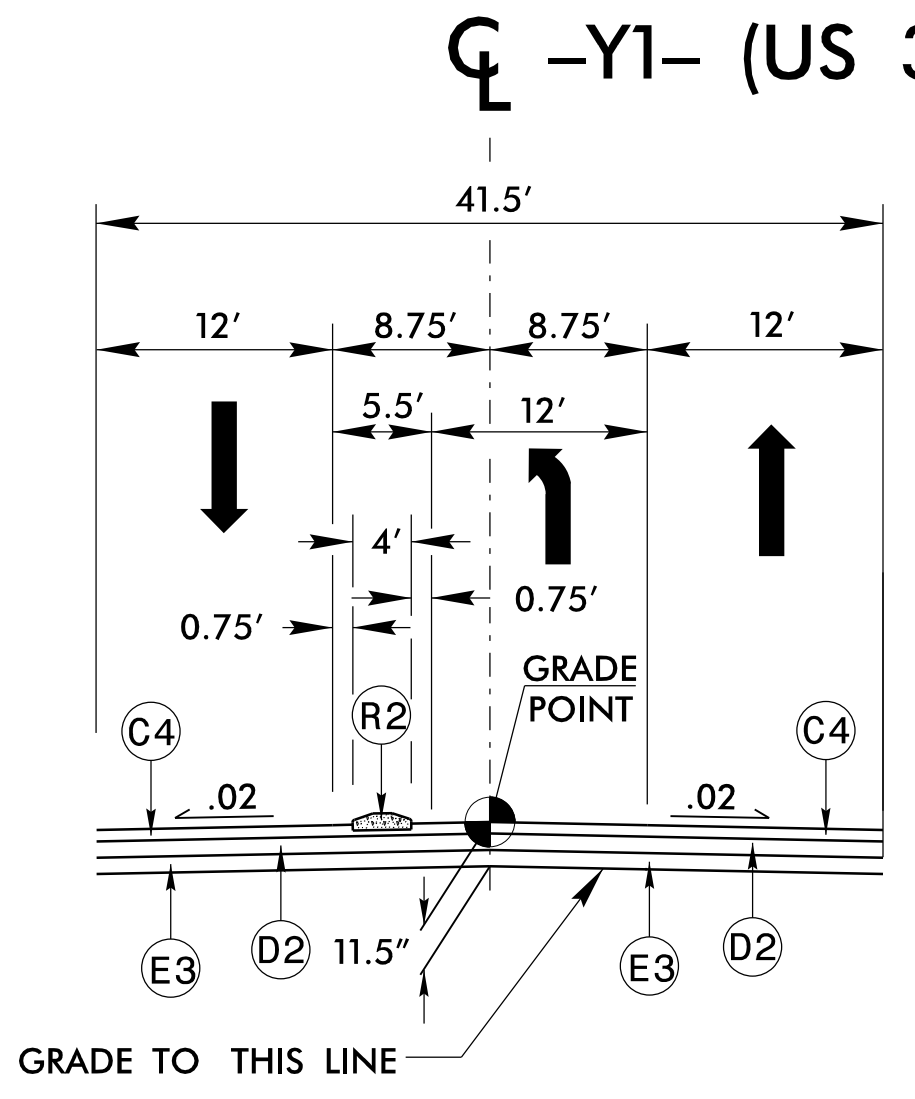


C4	3" S9.5C
D2	3" I19.0C
E3	5.5" B25.0C
N	GEOTEXTILE FOR SOIL STABILIZATION
R2	5" MONO CONC. ISLAND (KEYED-IN)
T	EARTH MATERIAL
U	EXISTING PAVEMENT
W1	WEDGING

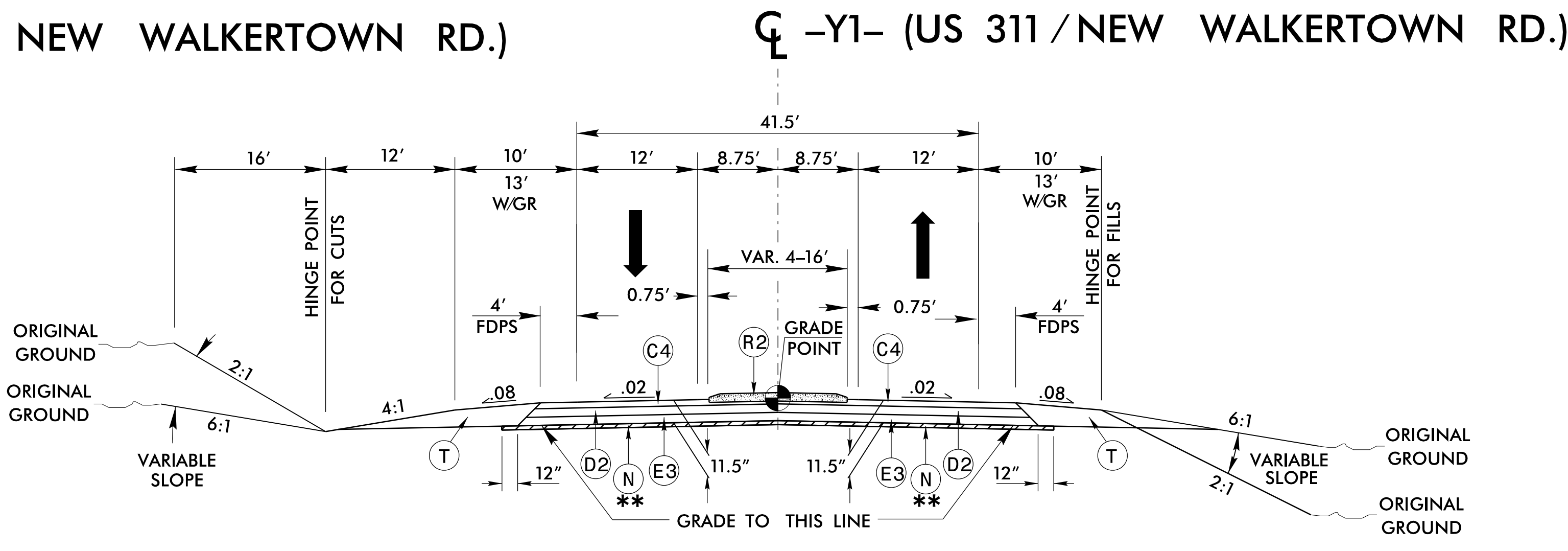


**TYPICAL SECTION NO. 3**

**USE TYPICAL SECTION NO. 3:**  
 -Y1- STA. 10+75.00 TO STA. 18+21.65  
 -Y1- STA. 46+75.00 TO STA. 48+50.00



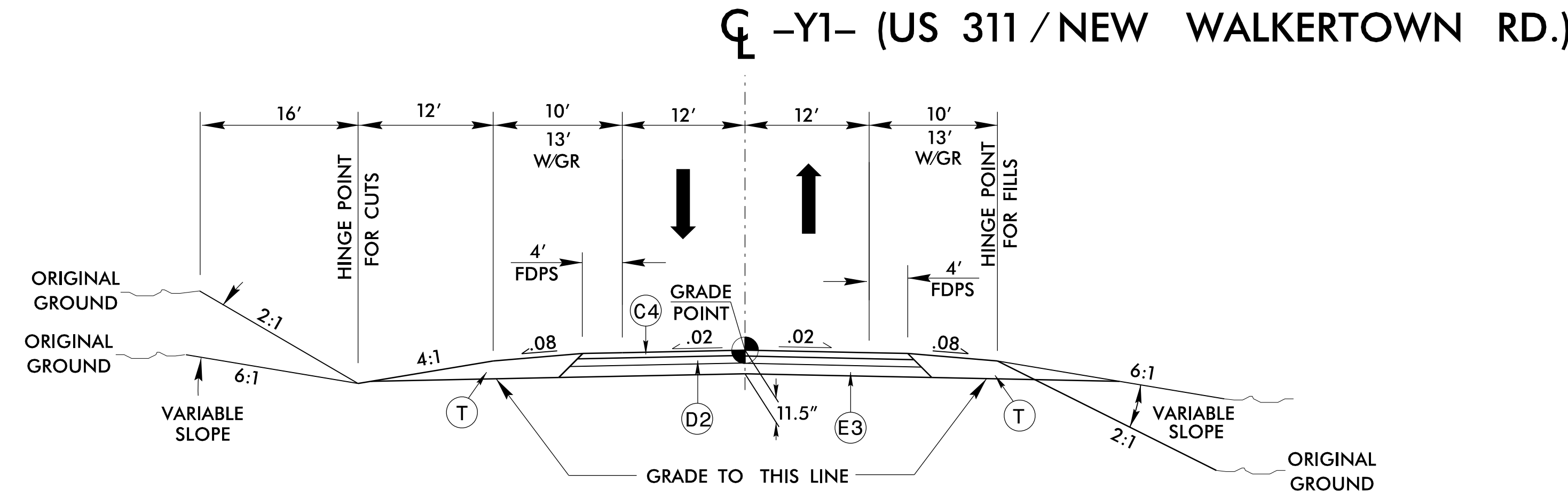
**TYPICAL SECTION NO. 4A**  
 USE IN CONJUNCTION WITH TYPICAL SECTION NO. 4  
 -Y1- STA. 23+59.22 TO STA. 26+89.22  
 -Y1- STA. 31+78.60 TO STA. 35+08.60



**TYPICAL SECTION NO. 4**

**\*\* THESE LOCATIONS TO BE INVESTIGATED  
DURING CONSTRUCTION:**  
 -Y1- STA. 30+34.00 TO STA. 35+25.00

**USE TYPICAL SECTION NO. 4:**  
 -Y1- STA. 18+21.65 TO STA. 28+13.39 (BEGIN BRIDGE)  
 -Y1- STA. 30+34.05 (END BRIDGE) TO STA. 39+54.89



**TYPICAL SECTION NO. 5**

**USE TYPICAL SECTION NO. 5:**  
 -Y1- STA. 39+54.89 TO STA. 46+75.00

13 JUL 2017 14:12 U:\2579C\_rdy\_ttyp.dgn  
 13 JUL 2017 14:12 U:\2579C\_rdy\_ttyp.dgn  
 13 JUL 2017 14:12 U:\2579C\_rdy\_ttyp.dgn