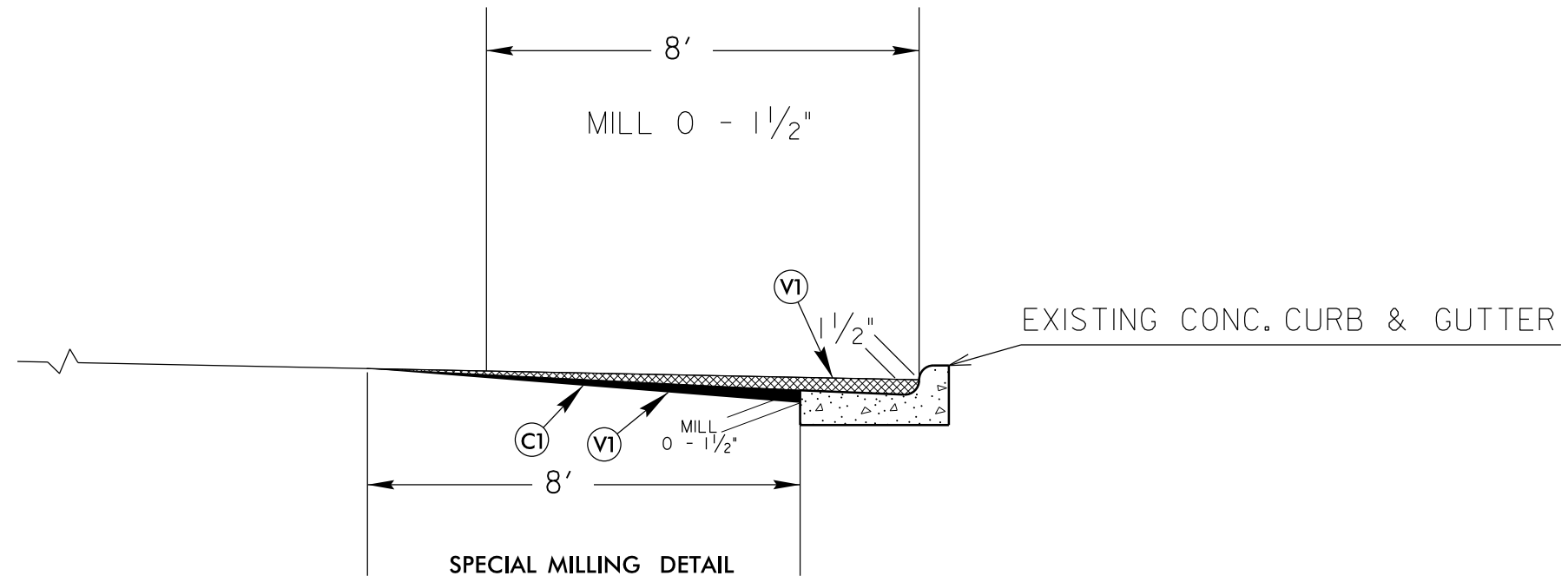


PROJECT NO.	SHEET NO.	TOTAL SHEETS
2018CPT.13.01.10111, 2018CPT.13.01.20111, 2018CPT.13.01.10112, 2018CPT.13.01.20112	26	

MILLING DETAIL

IN LOCATION WHERE
EXIST CURB IS OVERLAYED
WITH ASPHALT



SPECIAL MILLING DETAIL
TO BE USED ON
MAP # 2
FROM NC 151 TO NC 112
M.P. 4.56 TO M.P. 6.085

NOTE:

Multiple passes with the Milling Machine will be required to remove the existing Asphalt from the gutter and to remove the existing Asphalt in front of the Gutter as shown. The top of the resurfacing layer should match the gutter grade.