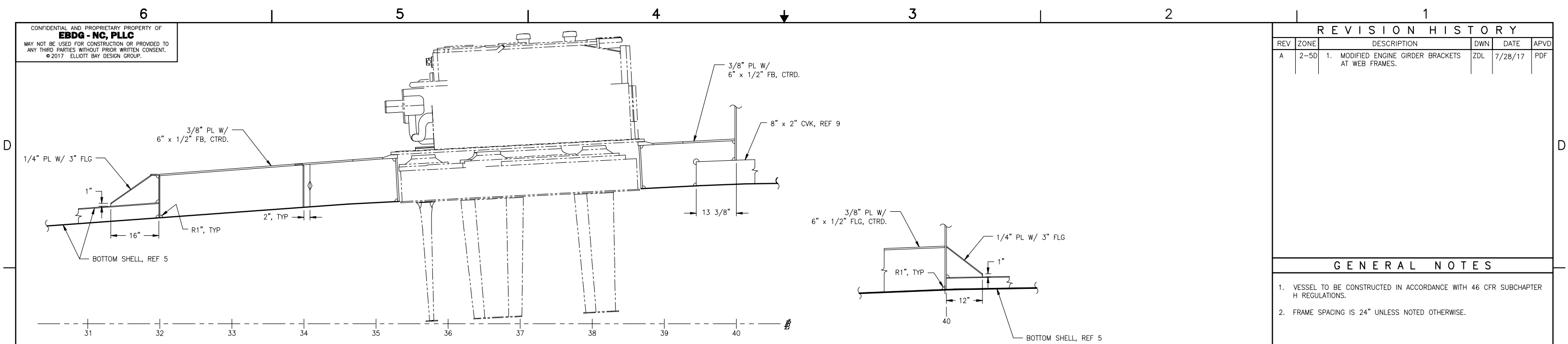


CONFIDENTIAL AND PROPRIETARY PROPERTY OF
EBDG - NC, PLLC
 MAY NOT BE USED FOR CONSTRUCTION OR PROVIDED TO
 ANY THIRD PARTIES WITHOUT PRIOR WRITTEN CONSENT.
 ©2017 ELLIOTT BAY DESIGN GROUP.

REVISION HISTORY

REV	ZONE	DESCRIPTION	DWN	DATE	APVD
A	2-5D	1. MODIFIED ENGINE GIRDER BRACKETS AT WEB FRAMES.	ZDL	7/28/17	PDF

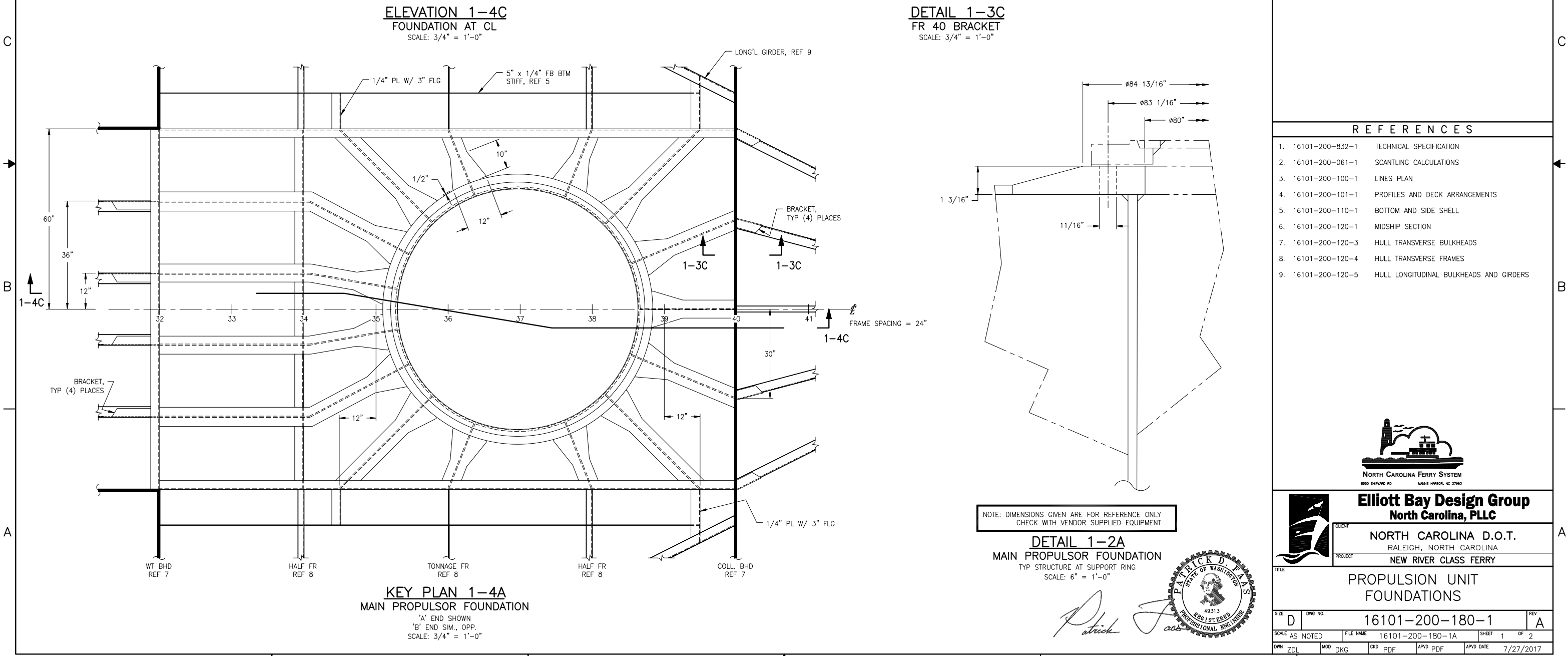


GENERAL NOTES

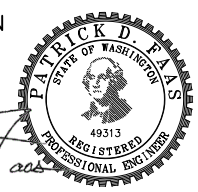
1. VESSEL TO BE CONSTRUCTED IN ACCORDANCE WITH 46 CFR SUBCHAPTER H REGULATIONS.
2. FRAME SPACING IS 24" UNLESS NOTED OTHERWISE.

REFERENCES

1. 16101-200-832-1 TECHNICAL SPECIFICATION
2. 16101-200-061-1 SCANTLING CALCULATIONS
3. 16101-200-100-1 LINES PLAN
4. 16101-200-101-1 PROFILES AND DECK ARRANGEMENTS
5. 16101-200-110-1 BOTTOM AND SIDE SHELL
6. 16101-200-120-1 MIDSHIP SECTION
7. 16101-200-120-3 HULL TRANSVERSE BULKHEADS
8. 16101-200-120-4 HULL TRANSVERSE FRAMES
9. 16101-200-120-5 HULL LONGITUDINAL BULKHEADS AND GIRDERS



NOTE: DIMENSIONS GIVEN ARE FOR REFERENCE ONLY
 CHECK WITH VENDOR SUPPLIED EQUIPMENT



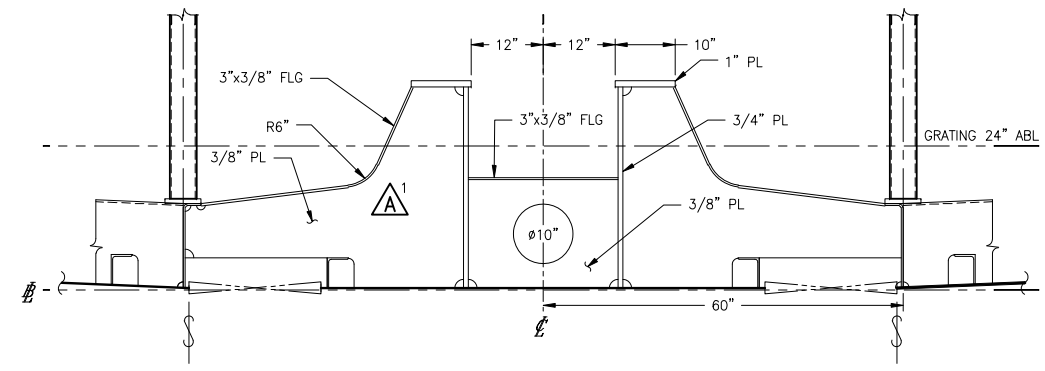
Elliott Bay Design Group
 North Carolina, PLLC

CLIENT: NORTH CAROLINA D.O.T.
 RALEIGH, NORTH CAROLINA
 PROJECT: NEW RIVER CLASS FERRY

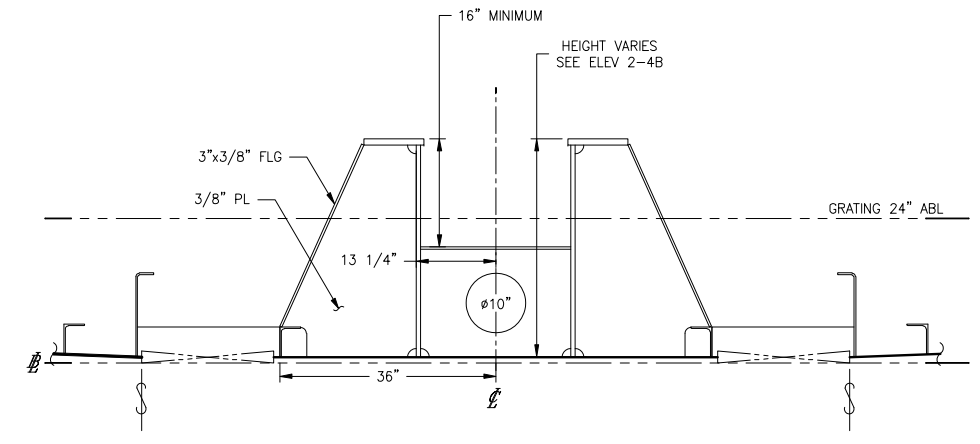
TITLE: PROPULSION UNIT FOUNDATIONS

SIZE	D	DWG NO.	16101-200-180-1	REV	A
SCALE	AS NOTED	FILE NAME	16101-200-180-1A	SHEET	1 OF 2
DWN	ZDL	MOD	DKG	CKD	PDF
APVD	PDF	APVD DATE	7/27/2017		

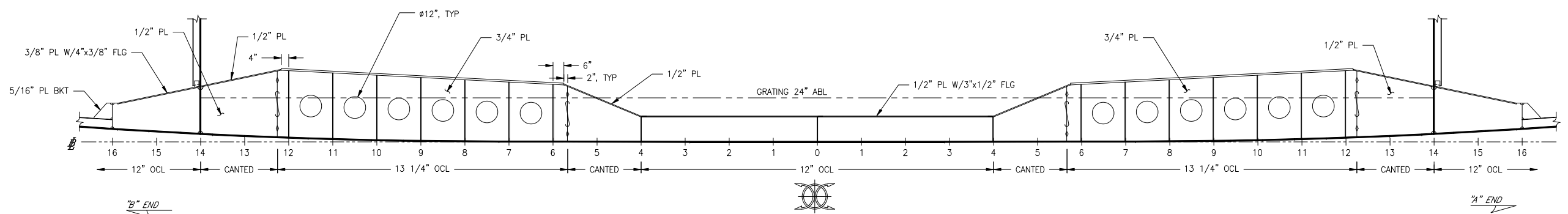
CONFIDENTIAL AND PROPRIETARY PROPERTY OF
EBDG - NC, PLLC
 MAY NOT BE USED FOR CONSTRUCTION OR PROVIDED TO
 ANY THIRD PARTIES WITHOUT PRIOR WRITTEN CONSENT.
 ©2017 ELLIOTT BAY DESIGN GROUP.



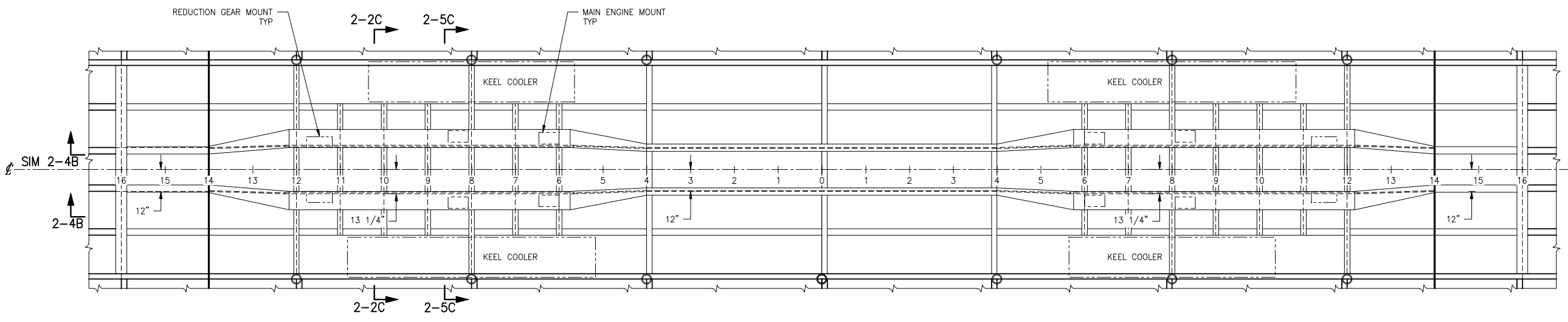
SECTION 2-5C
 FRAME 8, 'B' END, LOOKING FWD
 TYP WEB FRAME FDN STRUCTURE
 SCALE: 3/4" = 1'-0"



SECTION 2-2C
 FRAME 10, 'B' END, LOOKING FWD
 TYP ORDINARY FRAME FDN STRUCTURE
 SCALE: 3/4" = 1'-0"



ELEVATION 2-4B
 MAIN ENGINE FOUNDATIONS
 12" OCL STBD, LOOKING INBD
 SCALE: 3/8" = 1'-0"



KEY PLAN 2-4A
 MAIN ENGINE FOUNDATIONS
 SCALE: 3/8" = 1'-0"

Patrick D. Patis
 Professional Engineer

SIZE	D	OWG NO.	16101-200-180-1	REV	A
SCALE	AS NOTED	FILE NAME	16101-200-180-1A	SHEET	2 OF 2