

CONFIDENTIAL AND PROPRIETARY PROPERTY OF
EBDG - NC, PLLC
 MAY NOT BE USED FOR CONSTRUCTION OR PROVIDED TO
 ANY THIRD PARTIES WITHOUT PRIOR WRITTEN CONSENT.
 ©2017 ELLIOTT BAY DESIGN GROUP.

REVISION HISTORY

REV	ZONE	DESCRIPTION	DWN	DATE	APVD
A	1-4A 2-3A 2-4D 1-4A	1. ADDED RESCUE BOAT DAVIT FOUNDATION DETAILS AND DETAIL VIEW. 2. ADDED MAST INSERT PLATE DETAILS.	PDF	7/28/17	PDF
B	3-1B 4-4A	1. UPDATED EMERGENCY GENERATOR ROOM BULKHEADS AND LOUVER CUTOUTS.	PDF	8/10/17	PDF
C	1-2B 1-6B 1-6C 4-5C	1. UPDATED PE STAMP FOR REV C. 2. UPDATED LOCATION OF MAST SUPPORT STRUCTURE A AND B END. 3. ADDED HATCH CUTOUT. 4. ADDED LOUVER DESCRIPTION.	DKG	8/31/17	KAJ

GENERAL NOTES

1. VESSEL TO BE CONSTRUCTED IN ACCORDANCE WITH 46 CFR SUBCHAPTER H REGULATIONS.
2. FRAME SPACING IS 24".
3. TRANSVERSE BULKHEAD STIFFENER SPACING = 24" UNO
4. MAIN DECK CURTAIN PLATE 5/16" PLATE UNO STIFFENERS 3"x3"x1/4" L THROUGHOUT UNO
5. CONTRACTOR SHALL VERIFY STRUCTURE FOR ALL FOUNDATIONS PRIOR TO CONSTRUCTION. SEE REF 8.

REFERENCES

1. 16101-200-061-1 SCANTLING CALCULATIONS
2. 16101-200-101-0 PROFILES AND DECK ARRANGEMENTS
3. 16101-200-120-1 MIDSHIP SECTION
4. 16101-200-130-2 MAIN DECK
5. 16101-200-150-2 SUPERSTRUCTURE 01 DECK TO PILOT HOUSE TOP
6. 16101-200-150-3 MAIN DECK BULKHEADS
7. 16101-200-513-1 MACHINERY VENTILATION ARRANGEMENT
8. 16101-200-832-1 TECHNICAL SPECIFICATION
9. 16101-200-170-1 MASTS
10. 16101-200-526-1 DECK DRAIN PIPING SYSTEM

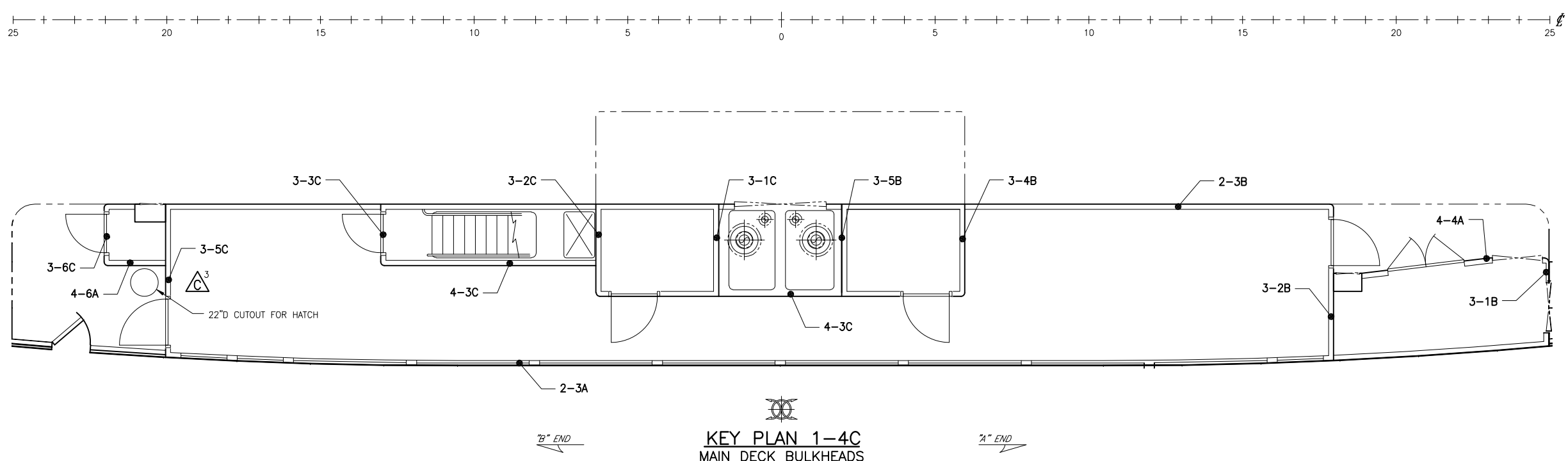


Elliott Bay Design Group
 North Carolina, PLLC

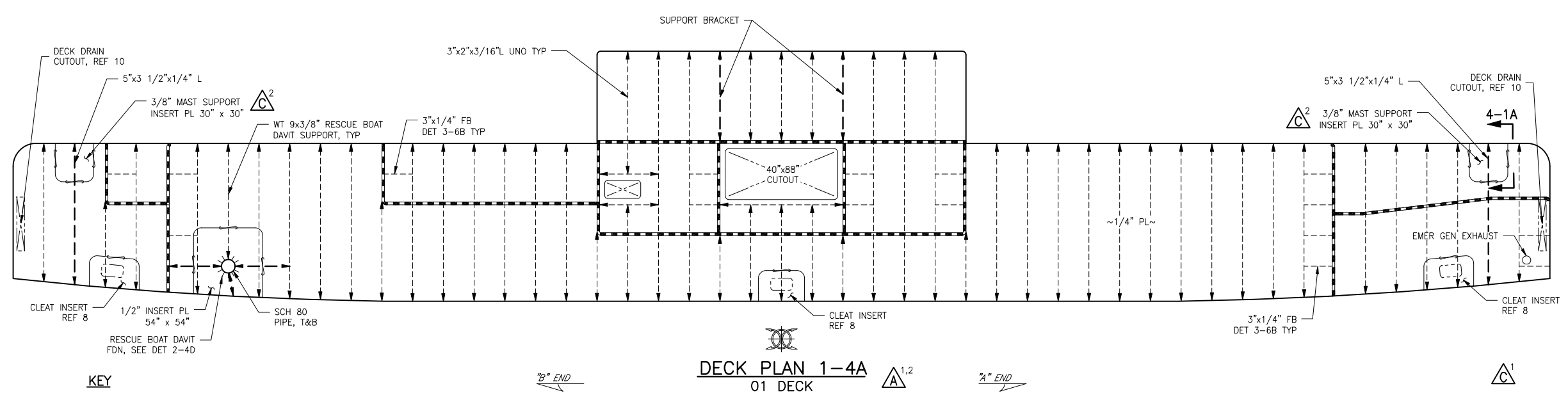
CLIENT: NORTH CAROLINA D.O.T.
 RALEIGH, NORTH CAROLINA
 PROJECT: NEW RIVER CLASS FERRY

**SUPERSTRUCTURE
 MAIN DECK TO 01 DECK**

SIZE: D	DWG NO.: 16101-200-150-1	REV: C
SCALE: 1/4"=1'-0"	FILE NAME: 16101-200-150-1C	SHEET 1 OF 4
DWN: JPC	MOD: DKG/ZDL	CD: PDF
APVD: KAJ	APVD DATE: 7/27/2017	



**KEY PLAN 1-4C
 MAIN DECK BULKHEADS**

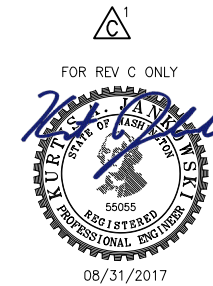


**DECK PLAN 1-4A
 01 DECK**

KEY

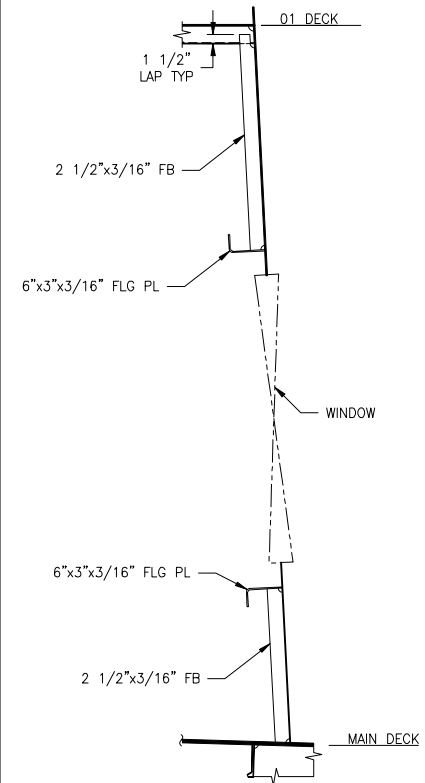
	BULKHEAD FARSIDE
	BULKHEAD NEARSIDE
	GIRDER FARSIDE
	GIRDER NEARSIDE
	ORDINARY STIFFENER FARSIDE
	ORDINARY STIFFENER NEARSIDE
	KNUCKLE

STAMP
 PROFESSIONAL ENGINEER
 STAMP PER:
 REV: B
 ENGR: PATRICK D. FAAS
 DATED: 08/10/2017
 STATE: WA
 REG NO: 49313

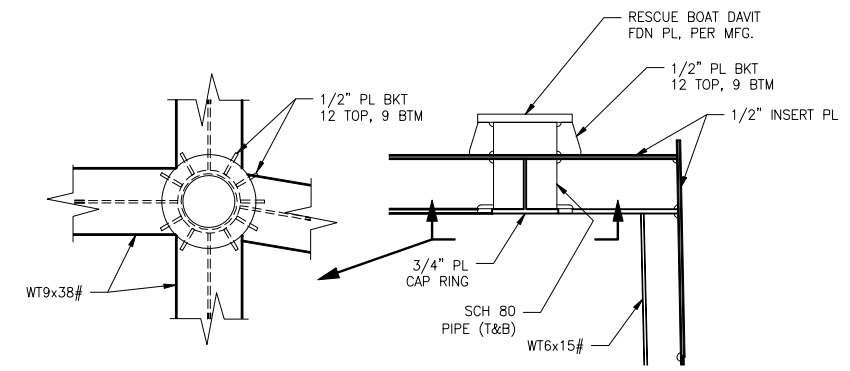


CONFIDENTIAL AND PROPRIETARY PROPERTY OF
EBDG - NC, PLLC
 MAY NOT BE USED FOR CONSTRUCTION OR PROVIDED TO
 ANY THIRD PARTIES WITHOUT PRIOR WRITTEN CONSENT.
 © 2017 ELLIOTT BAY DESIGN GROUP.

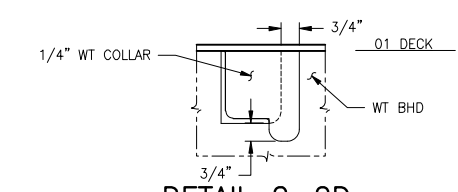
6 5 4 3 2 1



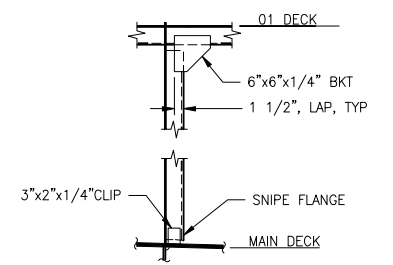
DETAIL 2-6C
 TYP CURTAIN PLATE STIFFENERS
 SCALE: 3/4"=1'-0"



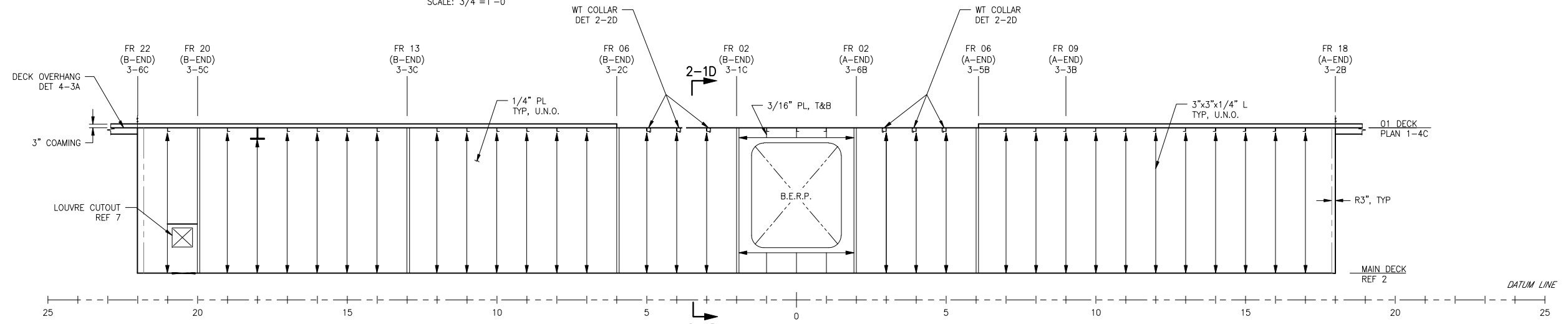
DETAIL 2-4D
 RESCUE BOAT DAVIT FOUNDATION
 SECT @ FR 18 & VIEW FROM BELOW
 SEE NOTE 5
 SCALE: 3/4"=1'-0"



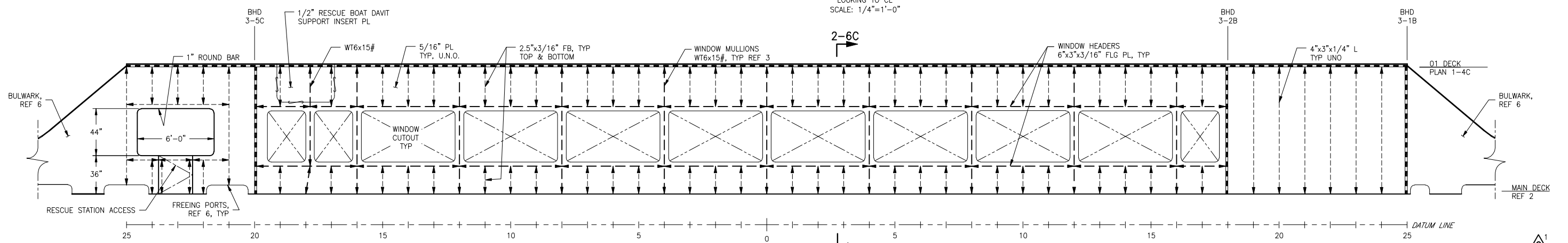
DETAIL 2-2D
 TYPICAL WT COLLAR
 SCALE: 3"=1'-0"



DETAIL 2-1D
 TYP BKTS
 SCALE: 3/4"=1'-0"



ELEVATION 2-3B
 12'-0" OCL BHD
 LOOKING TO CL
 SCALE: 1/4"=1'-0"

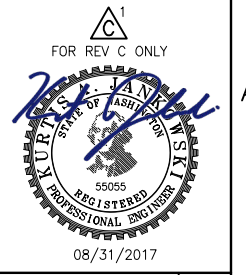


ELEVATION 2-3A
 22'-6" OCL
 LOOKING TO CL
 SCALE: 1/4"=1'-0"

KEY

	BULKHEAD FAR SIDE
	BULKHEAD NEAR SIDE
	GIRDER FAR SIDE
	GIRDER NEAR SIDE
	ORDINARY STIFFENER FAR SIDE
	ORDINARY STIFFENER NEAR SIDE
	KNUCKLE

STAMP
 PROFESSIONAL ENGINEER
 STAMP PER:
 REV: B
 ENGR: PATRICK D. FAAS
 DATED: 08/10/2017
 STATE: WA
 REG NO: 49313



SIZE	D	OWG NO.	16101-200-150-1	REV	C
SCALE	AS NOTED	FILE NAME	16101-200-150-1C	SHEET	2 OF 4

6 5 4 3 2 1

6

5

4

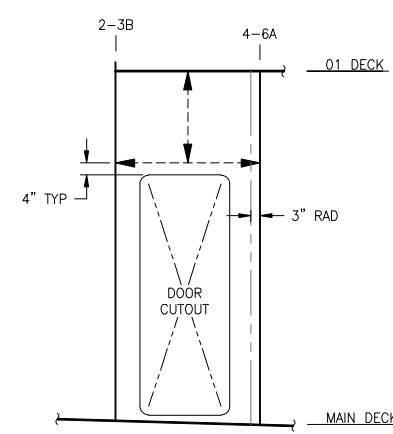
3

2

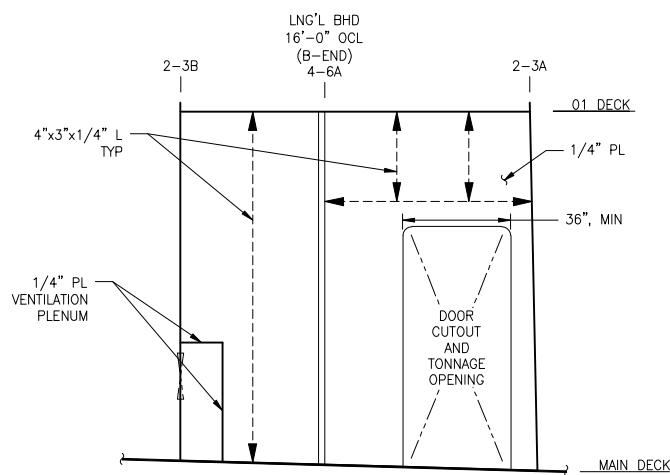
1

D

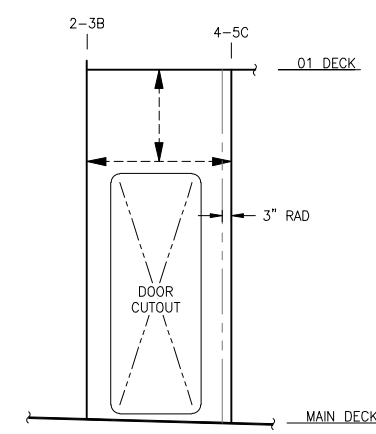
D



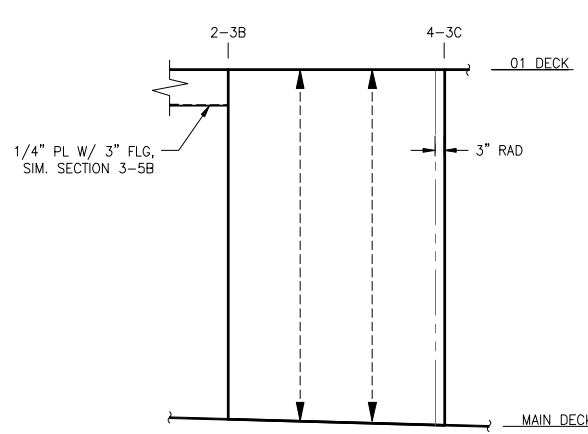
SECTION 3-6C
 FR 22, B-END
 LOOKING TO A-END
 3/8"=1'-0"



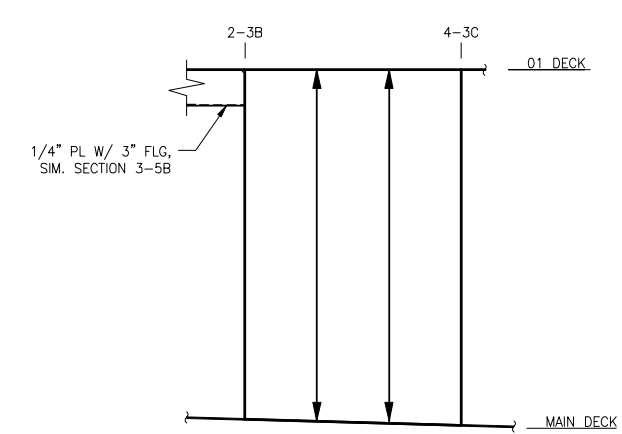
SECTION 3-5C
 FR 20, B-END
 LOOKING TO A-END
 3/8"=1'-0"



SECTION 3-3C
 FR 13, B-END
 LOOKING TO A-END
 3/8"=1'-0"



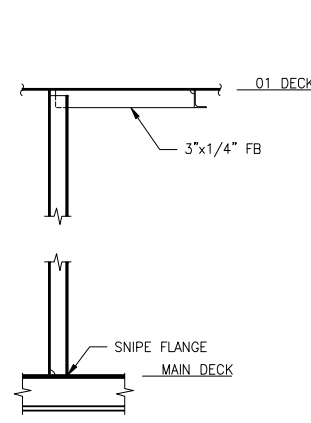
SECTION 3-2C
 FR 06, B-END
 LOOKING TO A-END
 3/8"=1'-0"



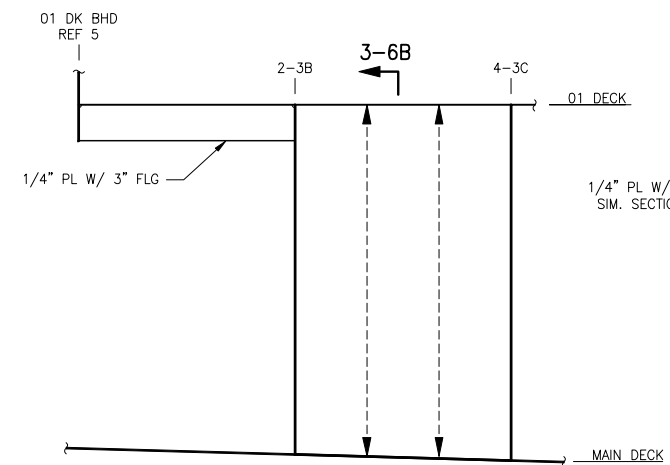
SECTION 3-1C
 FR 02, B-END
 LOOKING TO A-END
 3/8"=1'-0"

C

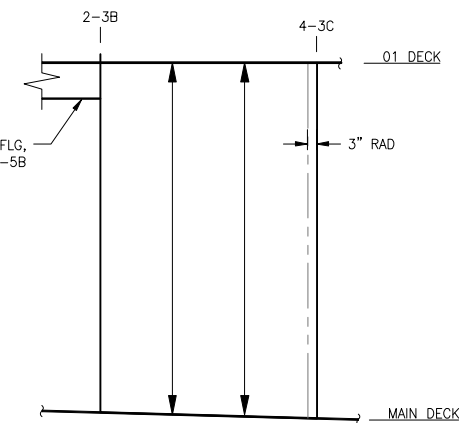
C



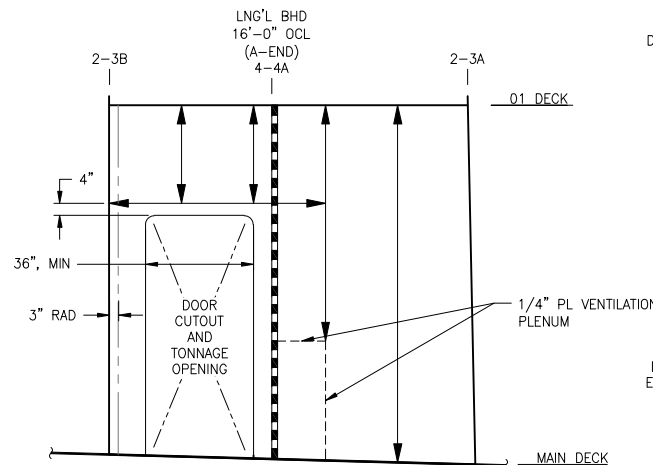
DETAIL 3-6B
 TYPICAL TRANSVERSE BHD STIFFENER
 SCALE: 3/4"=1'-0"



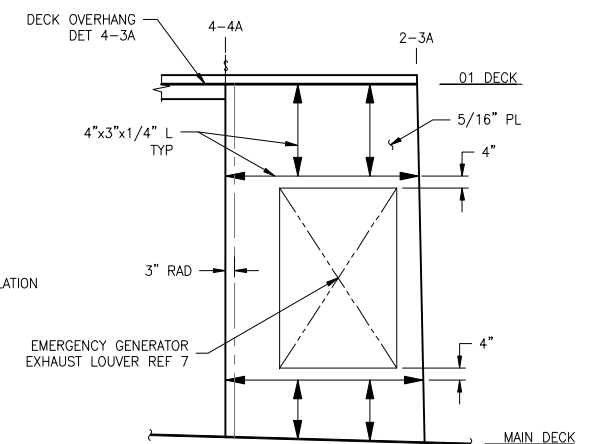
SECTION 3-6B
 FR 02, A-END
 LOOKING TO A-END
 3/8"=1'-0"



SECTION 3-4B
 FR 06, A-END
 LOOKING TO A-END
 3/8"=1'-0"



SECTION 3-2B
 FR 18, A-END
 LOOKING TO A-END
 3/8"=1'-0"



SECTION 3-1B
 FR 25, A-END
 LOOKING TO A-END
 3/8"=1'-0"

B

B

A

A

KEY

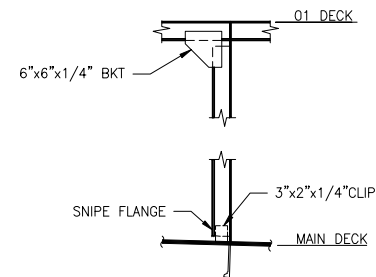
	BULKHEAD FAR SIDE
	BULKHEAD NEAR SIDE
	GIRDER FAR SIDE
	GIRDER NEAR SIDE
	ORDINARY STIFFENER FAR SIDE
	ORDINARY STIFFENER NEAR SIDE
	KNUCKLE

NOTE:
 BHD PLATE 1/4"
 STIFFENERS 3"x3"x1/4" L UNO

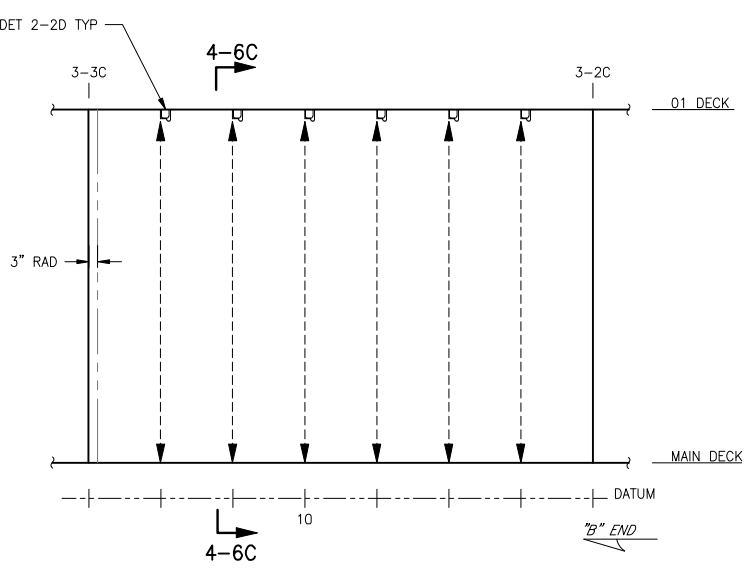
STAMP
 PROFESSIONAL ENGINEER
 STAMP PER:
 REV: B
 ENGR: PATRICK D. FAAS
 DATED: 08/10/2017
 STATE: WA
 REG NO: 49313



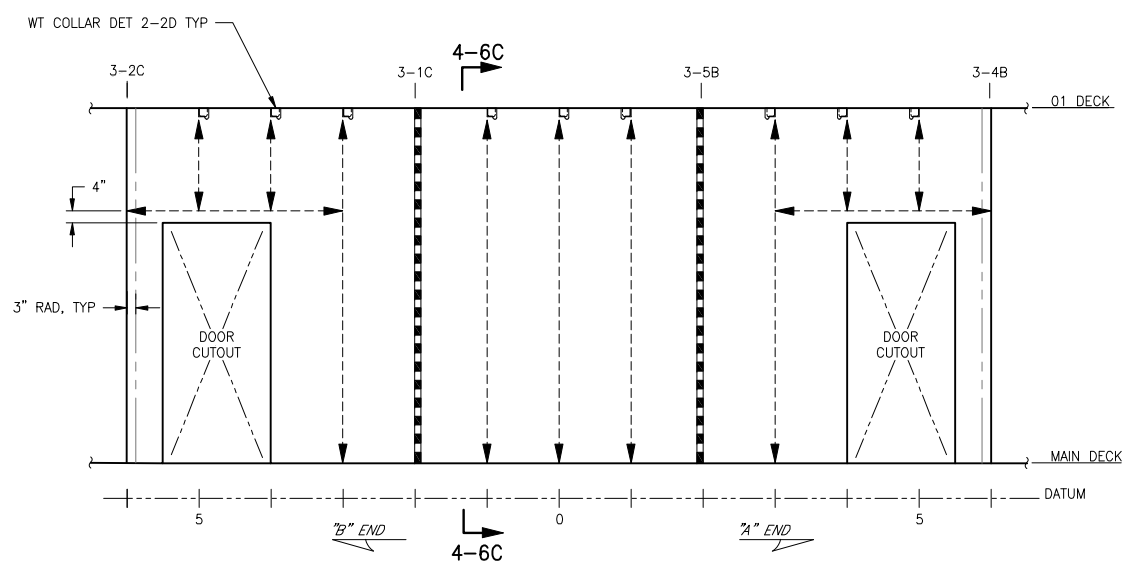
SIZE	D	OWG NO.	16101-200-150-1	REV	C
SCALE	AS NOTED	FILE NAME	16101-200-150-1C	SHEET	3 OF 4



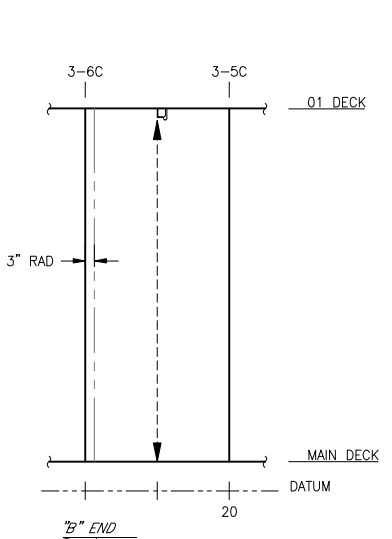
DETAIL 4-6C
 TYP BKTs
 SCALE: 3/4"=1'-0"



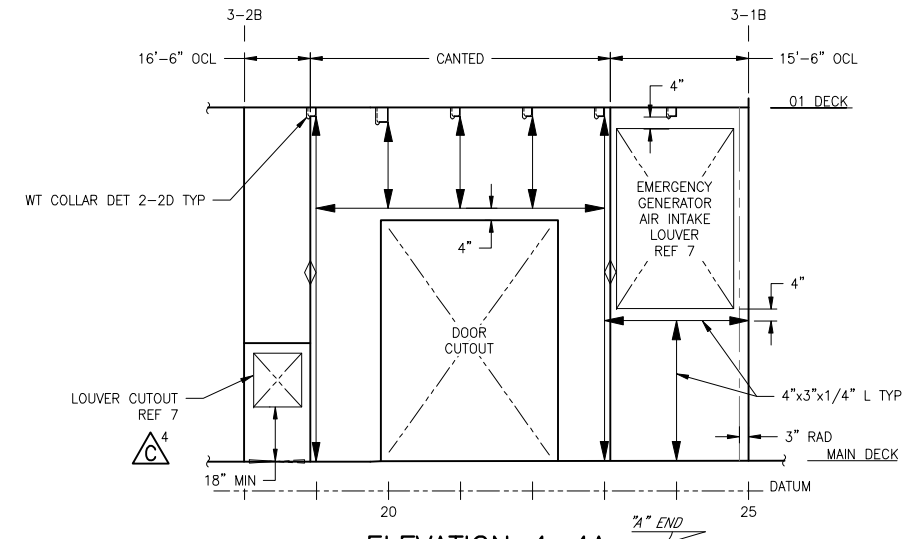
ELEVATION 4-5C
 16'-0" OCL BHD
 LOOKING TO CL
 SCALE: 3/8"=1'-0"



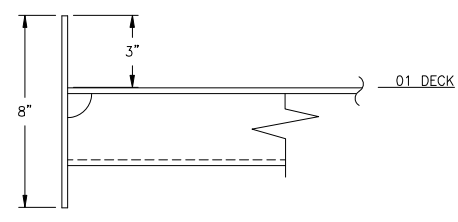
ELEVATION 4-3C
 18'-0" OCL BHD
 LOOKING TO CL
 SCALE: 3/8"=1'-0"



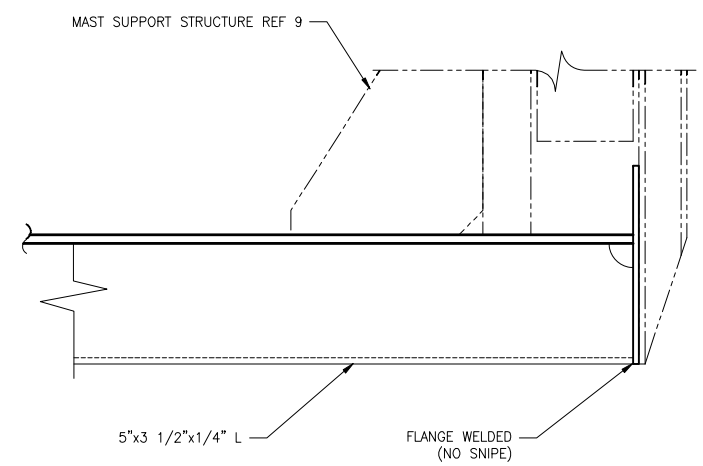
ELEVATION 4-6A
 16'-0" OCL BHD
 LOOKING TO CL
 SCALE: 3/8"=1'-0"



ELEVATION 4-4A
 16'-6" TO 15'-6" OCL BHD
 LOOKING TO CL
 SCALE: 3/8"=1'-0"



DETAIL 4-3A
 DECK EDGE AT OVERHANGS
 SCALE: 3"=1'-0"



DETAIL 4-1A
 MAST SUPPORT STIFFENER
 FRAME 23 A,B-END
 SCALE: 3"=1'-0"

KEY

	BULKHEAD FAR SIDE
	BULKHEAD NEAR SIDE
	GIRDER FAR SIDE
	GIRDER NEAR SIDE
	ORDINARY STIFFENER FAR SIDE
	ORDINARY STIFFENER NEAR SIDE
	KNUCKLE

NOTE:
 BHD PLATE 1/4"
 STIFFENERS 3"x3"x1/4" L UNO

STAMP
 PROFESSIONAL ENGINEER
 STAMP PER:
 REV: B
 ENGR: PATRICK D. FAAS
 DATED: 08/10/2017
 STATE: WA
 REG NO: 49313

