

CONFIDENTIAL AND PROPRIETARY PROPERTY OF
EBDG NC, PLLC
 MAY NOT BE USED FOR CONSTRUCTION OR PROVIDED TO
 ANY THIRD PARTIES WITHOUT PRIOR WRITTEN CONSENT.
 © 2017 ELLIOTT BAY DESIGN GROUP.

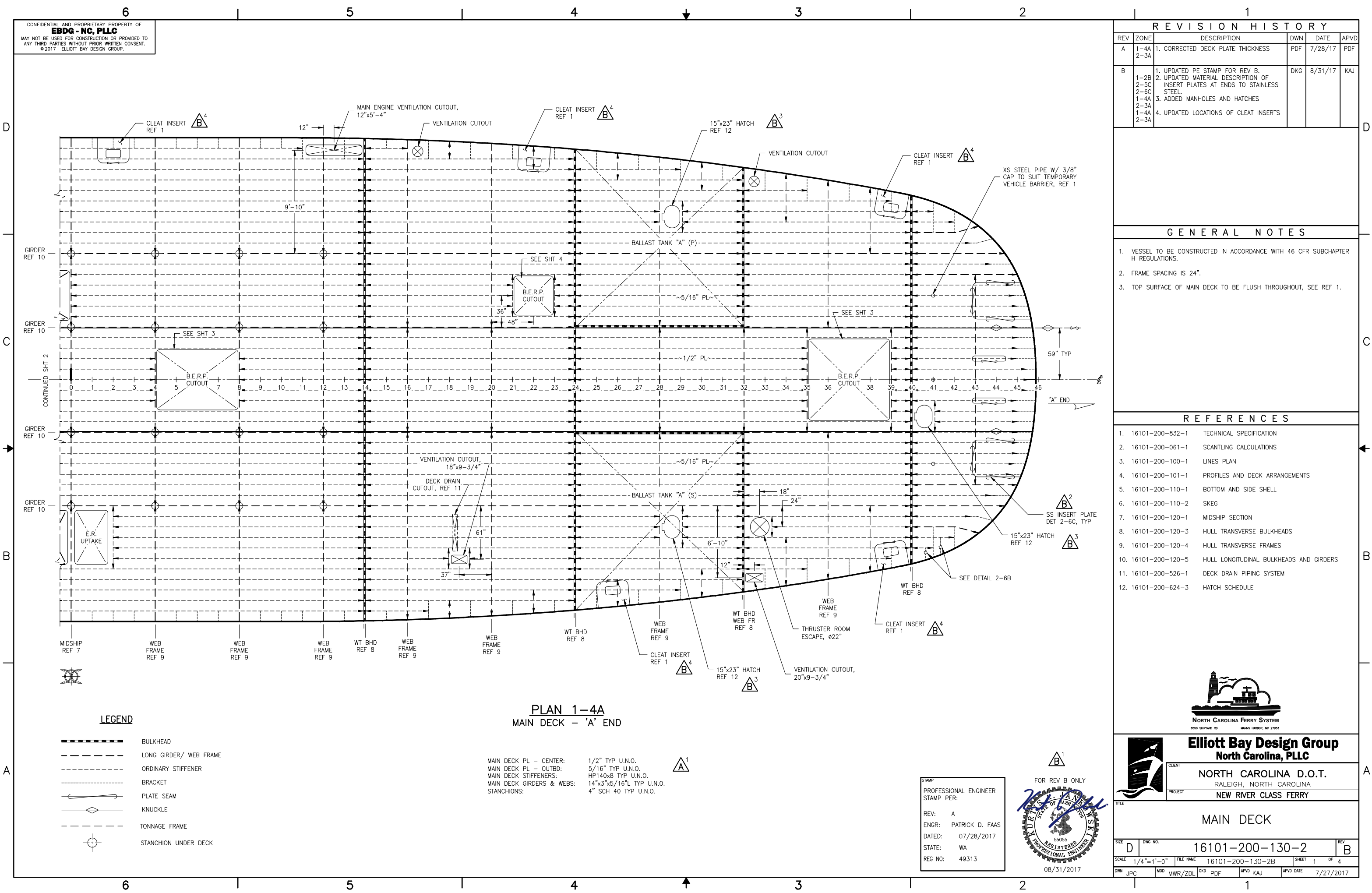
REVISION HISTORY					
REV	ZONE	DESCRIPTION	DWN	DATE	APVD
A	1-4A 2-3A	1. CORRECTED DECK PLATE THICKNESS	PDF	7/28/17	PDF
B	1-2B 2-5C 2-6C 1-4A 2-3A 1-4A 2-3A	1. UPDATED PE STAMP FOR REV B. 2. UPDATED MATERIAL DESCRIPTION OF INSERT PLATES AT ENDS TO STAINLESS STEEL. 3. ADDED MANHOLES AND HATCHES 4. UPDATED LOCATIONS OF CLEAT INSERTS	DKG	8/31/17	KAJ

GENERAL NOTES

- VESSEL TO BE CONSTRUCTED IN ACCORDANCE WITH 46 CFR SUBCHAPTER H REGULATIONS.
- FRAME SPACING IS 24".
- TOP SURFACE OF MAIN DECK TO BE FLUSH THROUGHOUT, SEE REF 1.

REFERENCES

- 16101-200-832-1 TECHNICAL SPECIFICATION
- 16101-200-061-1 SCANTLING CALCULATIONS
- 16101-200-100-1 LINES PLAN
- 16101-200-101-1 PROFILES AND DECK ARRANGEMENTS
- 16101-200-110-1 BOTTOM AND SIDE SHELL
- 16101-200-110-2 SKEG
- 16101-200-120-1 MIDSHIP SECTION
- 16101-200-120-3 HULL TRANSVERSE BULKHEADS
- 16101-200-120-4 HULL TRANSVERSE FRAMES
- 16101-200-120-5 HULL LONGITUDINAL BULKHEADS AND GIRDERS
- 16101-200-526-1 DECK DRAIN PIPING SYSTEM
- 16101-200-624-3 HATCH SCHEDULE

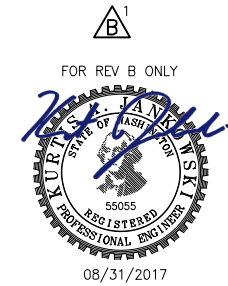


LEGEND

- BULKHEAD
- LONG GIRDER/ WEB FRAME
- ORDINARY STIFFENER
- BRACKET
- PLATE SEAM
- KNUCKLE
- TONNAGE FRAME
- STANCHION UNDER DECK

MAIN DECK PL - CENTER: 1/2" TYP U.N.O.
 MAIN DECK PL - OUTBD: 5/16" TYP U.N.O.
 MAIN DECK STIFFENERS: HP140x8 TYP U.N.O.
 MAIN DECK GIRDERS & WEBS: 14"x3"x5/16" L TYP U.N.O.
 STANCHIONS: 4" SCH 40 TYP U.N.O.

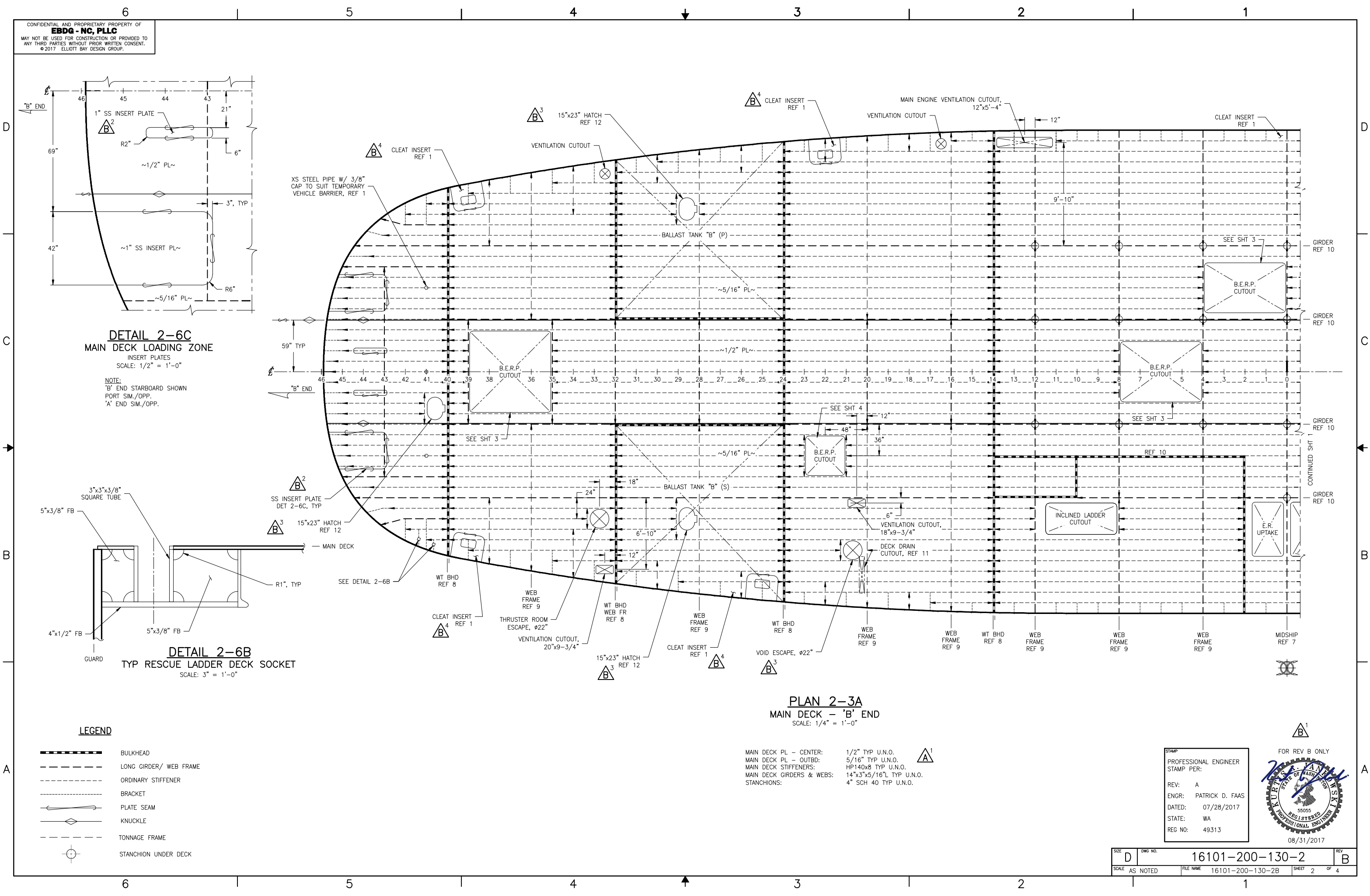
STAMP
 PROFESSIONAL ENGINEER
 STAMP PER:
 REV: A
 ENGR: PATRICK D. FAAS
 DATED: 07/28/2017
 STATE: WA
 REG NO: 49313



Elliott Bay Design Group
 North Carolina, PLLC
 CLIENT: NORTH CAROLINA D.O.T.
 PROJECT: RALEIGH, NORTH CAROLINA
 TITLE: NEW RIVER CLASS FERRY

SIZE	D	DWG NO.	16101-200-130-2	REV	B
SCALE	1/4"=1'-0"	FILE NAME	16101-200-130-2B	SHEET	1 OF 4
DWN	JPC	MOD	MWR/ZDL	CKD	PDF
APVD	KAJ	APVD DATE	7/27/2017		

CONFIDENTIAL AND PROPRIETARY PROPERTY OF
EBDG - INC, PLLC
 MAY NOT BE USED FOR CONSTRUCTION OR PROVIDED TO
 ANY THIRD PARTIES WITHOUT PRIOR WRITTEN CONSENT.
 ©2017 ELLIOTT BAY DESIGN GROUP.



DETAIL 2-6C
 MAIN DECK LOADING ZONE
 INSERT PLATES
 SCALE: 1/2" = 1'-0"

NOTE:
 'B' END STARBOARD SHOWN
 PORT SIM./OPP.
 'A' END SIM./OPP.

DETAIL 2-6B
 TYP RESCUE LADDER DECK SOCKET
 SCALE: 3" = 1'-0"

PLAN 2-3A
 MAIN DECK - 'B' END
 SCALE: 1/4" = 1'-0"

LEGEND

- BULKHEAD
- LONG GIRDER/ WEB FRAME
- ORDINARY STIFFENER
- BRACKET
- PLATE SEAM
- KNUCKLE
- TONNAGE FRAME
- STANCHION UNDER DECK

MAIN DECK PL - CENTER: 1/2" TYP U.N.O.

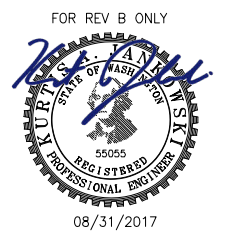
MAIN DECK PL - OUTBD: 5/16" TYP U.N.O.

MAIN DECK STIFFENERS: HP140x8 TYP U.N.O.

MAIN DECK GIRDERS & WEBS: 14"x3"x5/16"L TYP U.N.O.

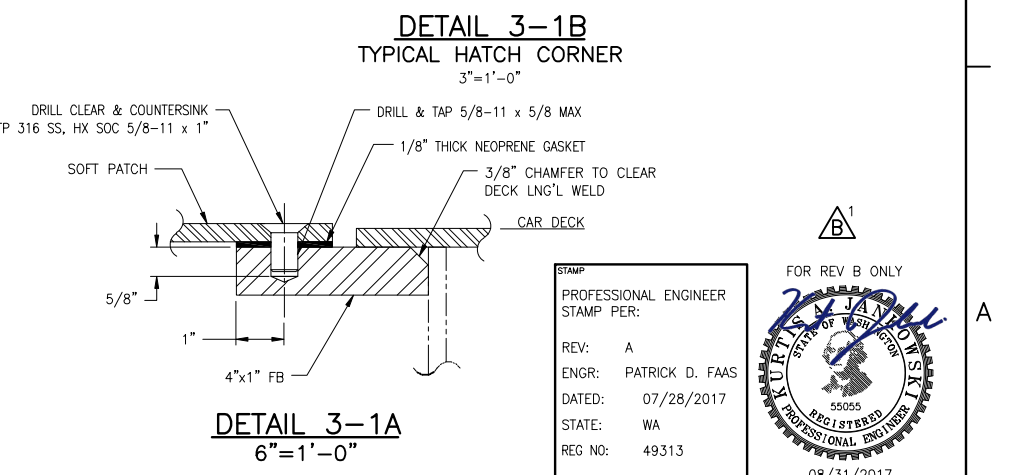
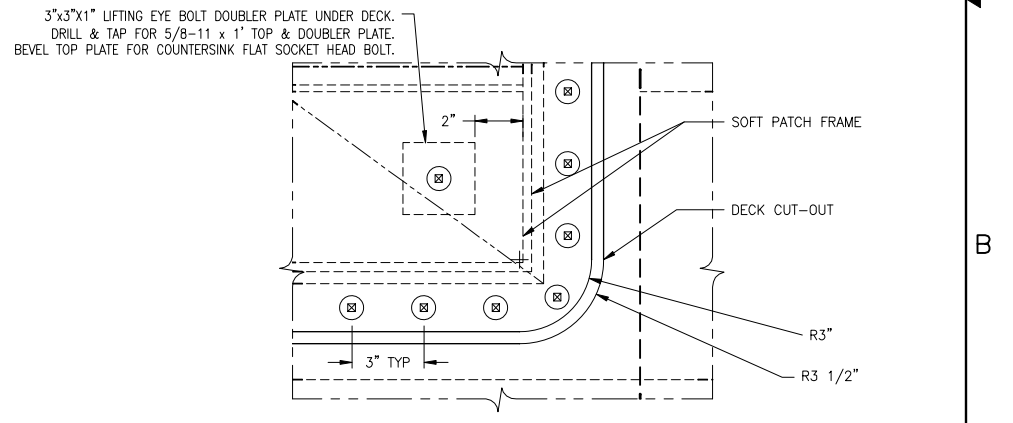
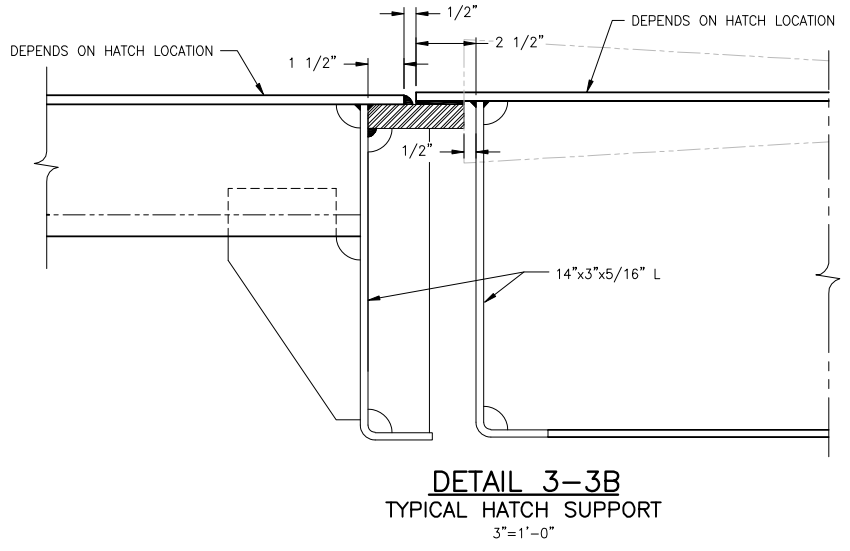
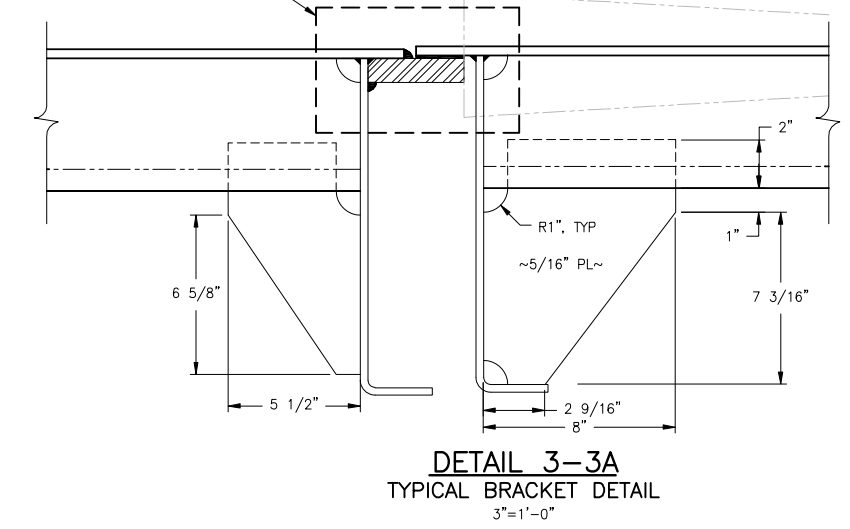
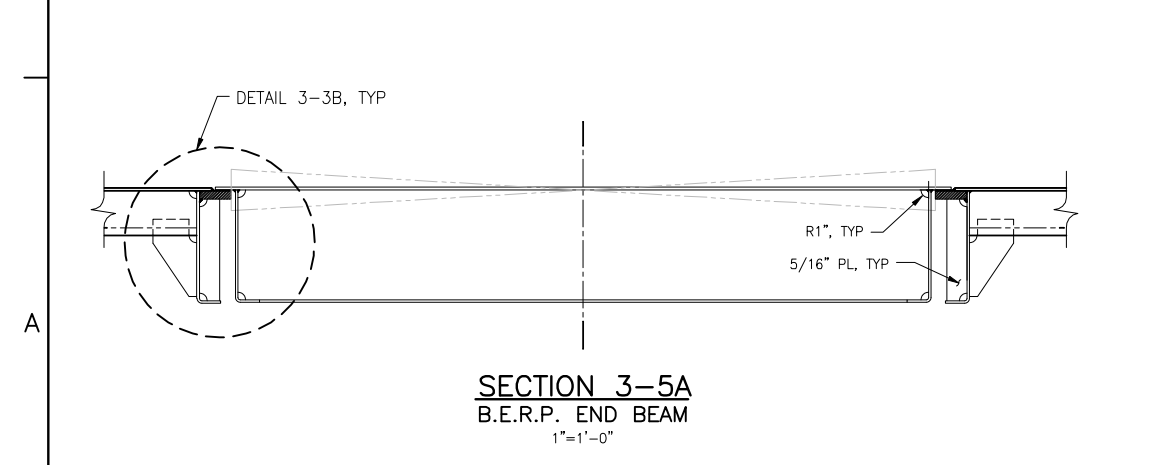
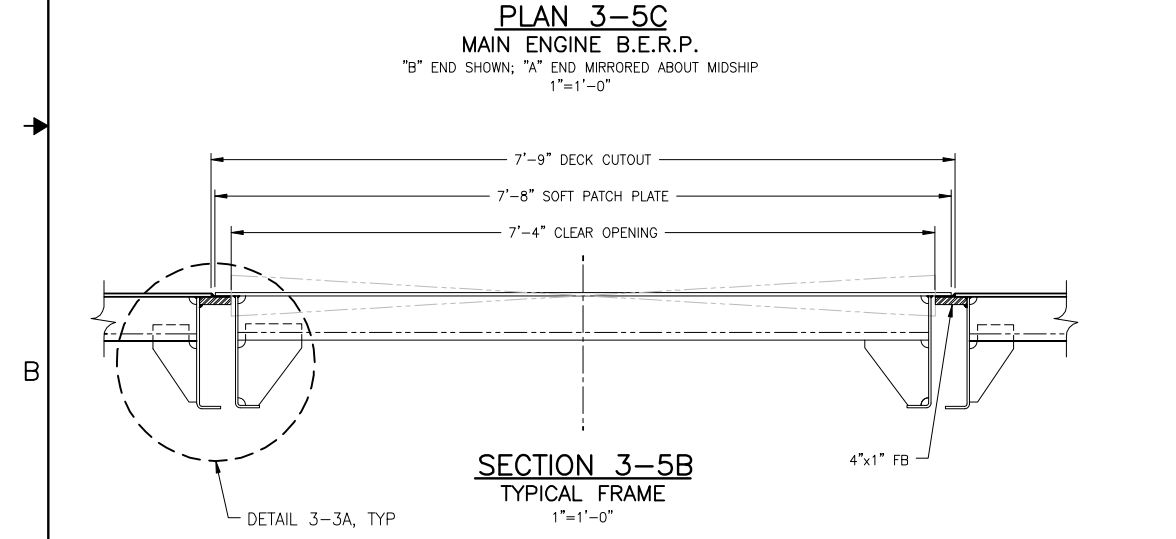
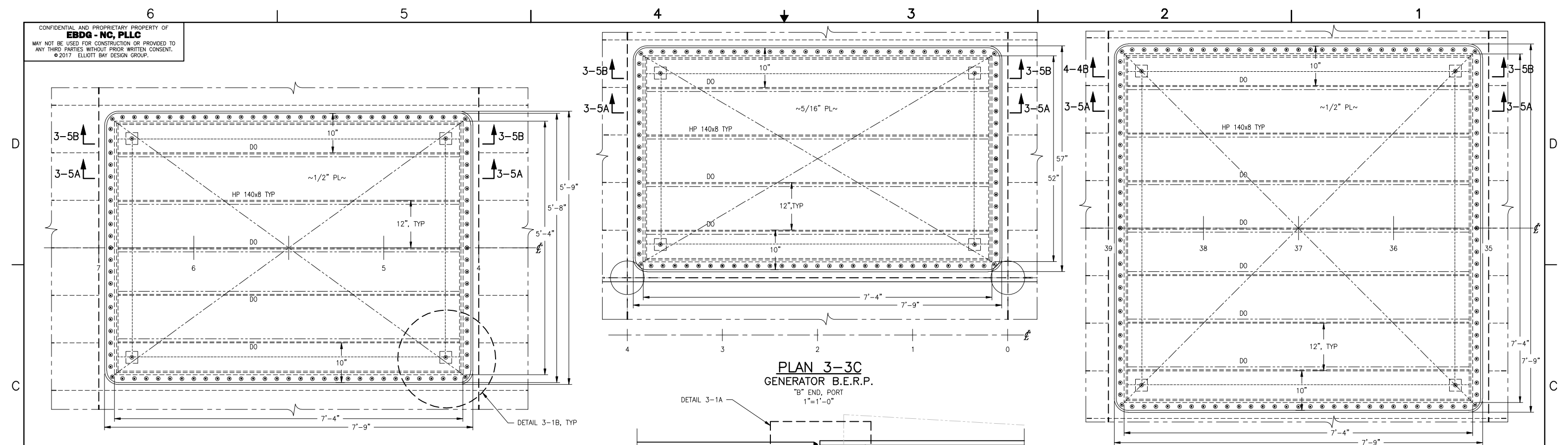
STANCHIONS: 4" SCH 40 TYP U.N.O.

STAMP
 PROFESSIONAL ENGINEER
 STAMP PER:
 REV: A
 ENGR: PATRICK D. FAAS
 DATED: 07/28/2017
 STATE: WA
 REG NO: 49313

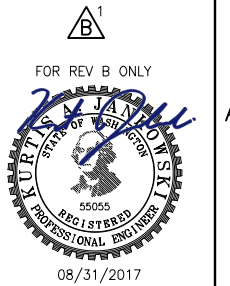


SIZE	D	OWG NO.	16101-200-130-2	REV	B
SCALE	AS NOTED	FILE NAME	16101-200-130-2B	SHEET	2 OF 4

CONFIDENTIAL AND PROPRIETARY PROPERTY OF
EBDG - NC, PLLC
 MAY NOT BE USED FOR CONSTRUCTION OR PROVIDED TO
 ANY THIRD PARTIES WITHOUT PRIOR WRITTEN CONSENT.
 © 2017 ELLIOTT BAY DESIGN GROUP.

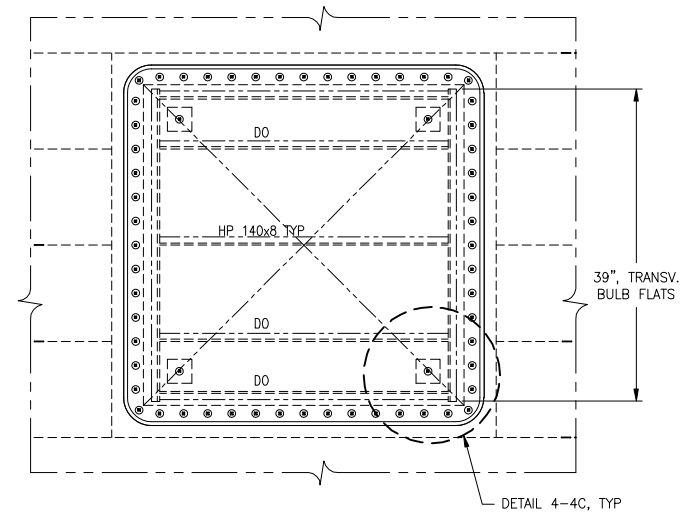


STAMP
 PROFESSIONAL ENGINEER
 STAMP PER:
 REV: A
 ENGR: PATRICK D. FAAS
 DATED: 07/28/2017
 STATE: WA
 REG NO: 49313

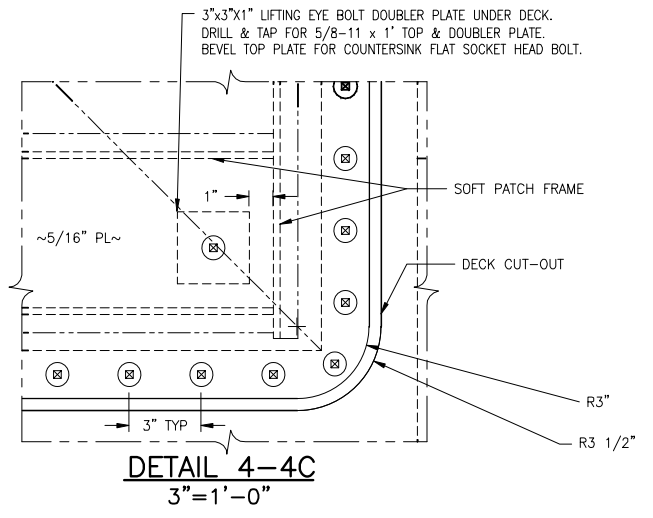


SIZE	D	OWG NO.	16101-200-130-2	REV	B
SCALE	AS NOTED	FILE NAME	16101-200-130-2B	SHEET	3 OF 4

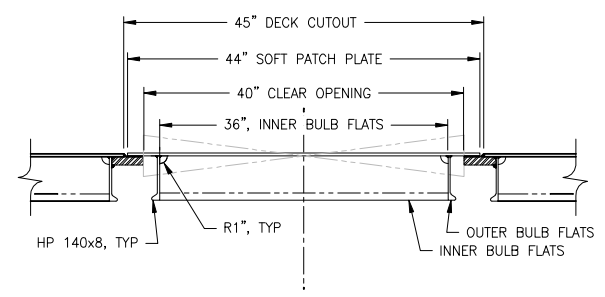
CONFIDENTIAL AND PROPRIETARY PROPERTY OF
EBDG - INC, PLLC
 MAY NOT BE USED FOR CONSTRUCTION OR PROVIDED TO
 ANY THIRD PARTIES WITHOUT PRIOR WRITTEN CONSENT.
 ©2017 ELLIOTT BAY DESIGN GROUP.



PLAN 4-6C
 SMALL EQUIPMENT REMOVAL B.E.R.P.
 SIDE B SHOWN; SIDE A ROTATE 180 ABOUT FR 0
 1"=1'-0"

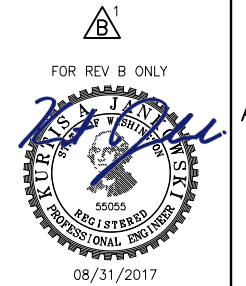


DETAIL 4-4C
 3"=1'-0"



SECTION 4-6B
 TYPICAL FRAME
 1"=1'-0"

STAMP
 PROFESSIONAL ENGINEER
 STAMP PER:
 REV: A
 ENGR: PATRICK D. FAAS
 DATED: 07/28/2017
 STATE: WA
 REG NO: 49313



SIZE	D	DWG NO.	16101-200-130-2	REV	B
SCALE	AS NOTED	FILE NAME	16101-200-130-2B	SHEET	4 OF 4