

CONFIDENTIAL AND PROPRIETARY PROPERTY OF
EBDG - NC, PLLC
 MAY NOT BE USED FOR CONSTRUCTION OR PROVIDED TO
 ANY THIRD PARTIES WITHOUT PRIOR WRITTEN CONSENT.
 © 2017 ELLIOTT BAY DESIGN GROUP.

REVISION HISTORY					
REV	ZONE	DESCRIPTION	DWN	DATE	APVD
A	2-3A 3-4A	1. UPDATED TONNAGE FRAME LIGHTENING HOLE SCHEME TO CLARIFY.	PDF	8/2/17	PDF
B	2-2A	1. UPDATED PE STAMP FOR REV B. 2. ADDED VIEW 2-2A FOR FR 28.	DKG	8/31/17	KAJ

INDEX	
SHEET NO.	SHEET CONTENT
1	FRAMES 08 AND 13.
2	PARTIAL FRAME 5. FRAMES 18, 20, AND 28.
3	FRAMES 31 AND 36.
4	FRAMES 38 AND 39.
5	FRAMES 42 AND 43. LNG'L BRACKET DETAILS.
6	DETAILS

GENERAL NOTES

- VESSEL TO BE CONSTRUCTED IN ACCORDANCE WITH 46 CFR SUBCHAPTER H REGULATIONS.
- FRAME SPACING IS 24" UNLESS NOTED OTHERWISE.

REFERENCES

- 16101-200-832-1 TECHNICAL SPECIFICATION
- 16101-200-061-1 SCANTLING CALCULATIONS
- 16101-200-100-1 LINES PLAN
- 16101-200-101-1 PROFILES AND DECK ARRANGEMENTS
- 16101-200-110-1 BOTTOM AND SIDE SHELL
- 16101-200-110-2 SKEGS
- 16101-200-120-3 HULL TRANSVERSE BULKHEADS
- 16101-200-120-5 HULL LONGITUDINAL BULKHEADS AND GIRDERS
- 16101-200-130-2 MAIN DECK
- 16101-200-150-3 MAIN DECK BULKHEADS
- 16101-200-180-1 PROPULSION UNIT FOUNDATIONS
- 16101-200-200-1 MACHINERY ARRANGEMENT

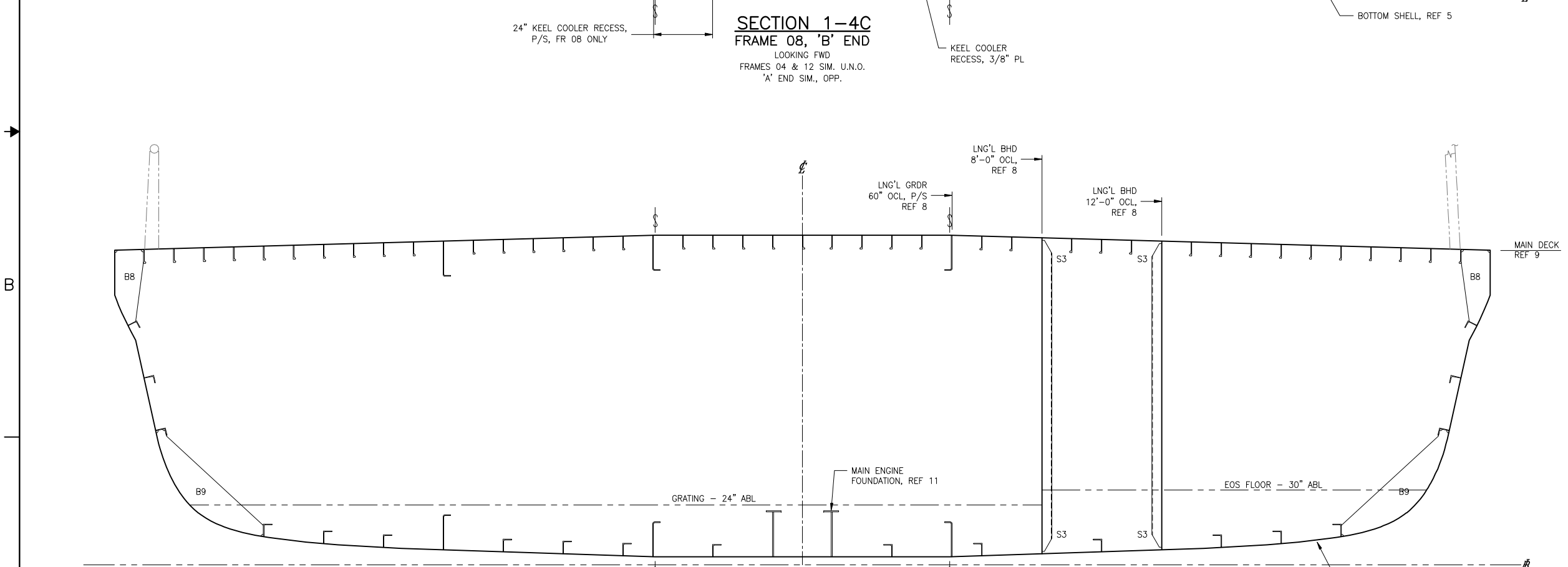
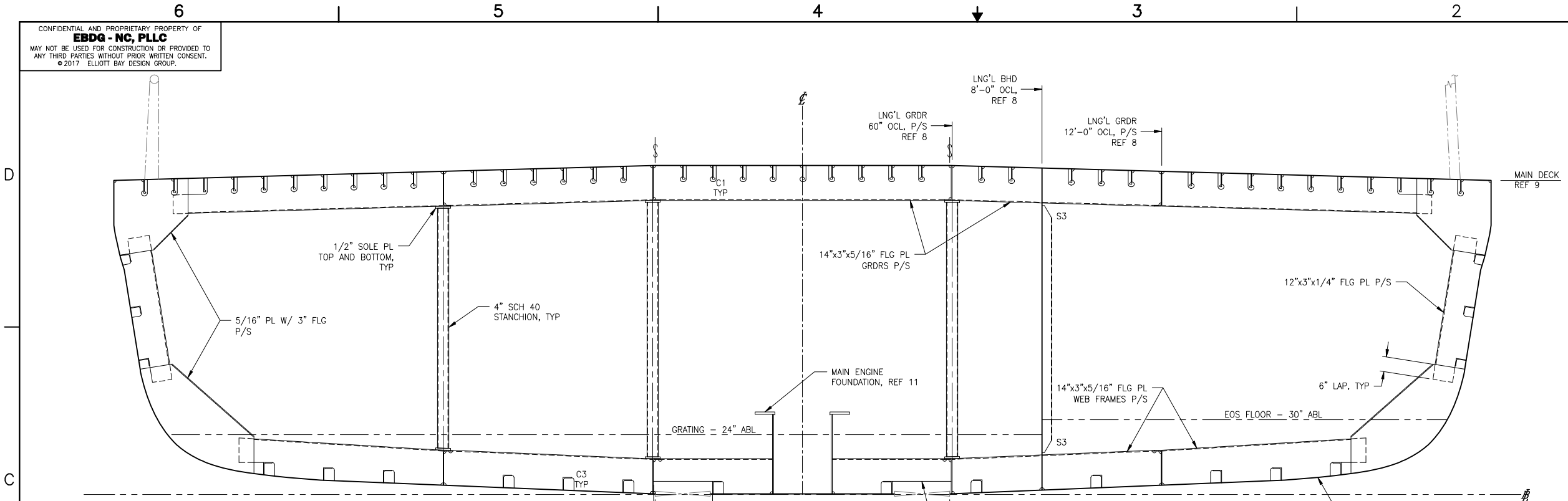


Elliott Bay Design Group
 North Carolina, PLLC

CLIENT: NORTH CAROLINA D.O.T.
 RALEIGH, NORTH CAROLINA
 PROJECT: NEW RIVER CLASS FERRY

HULL TRANSVERSE FRAMES

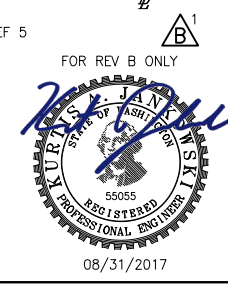
SIZE	D	DWG NO.	16101-200-120-4	REV	B
SCALE	1/2" = 1'-0"	FILE NAME	16101-200-120-4B	SHEET	1 OF 6
DWN	ZDL	MOD	PDF	CKD	PDF
APVD	KAJ	APVD DATE	7/27/2017		



KEY

	BULKHEAD FAR SIDE
	BULKHEAD NEAR SIDE
	GIRDER FAR SIDE
	GIRDER NEAR SIDE
	ORDINARY STIFFENER FAR SIDE
	ORDINARY STIFFENER NEAR SIDE
	KNUCKLE

STAMP
 PROFESSIONAL ENGINEER
 STAMP PER:
 REV: A
 ENGR: PATRICK D. FAAS
 DATED: 08/02/2017
 STATE: WA
 REG NO: 49313



6

5

4

3

2

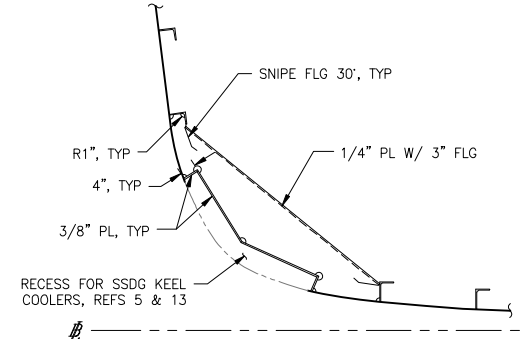
1

D

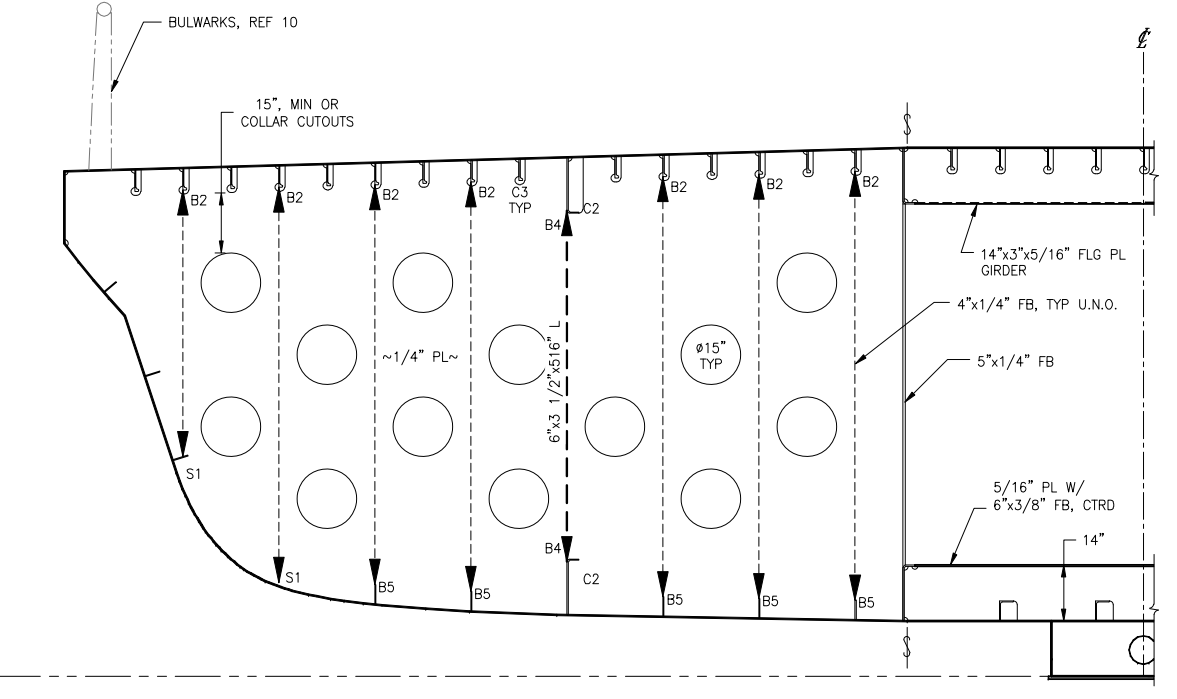
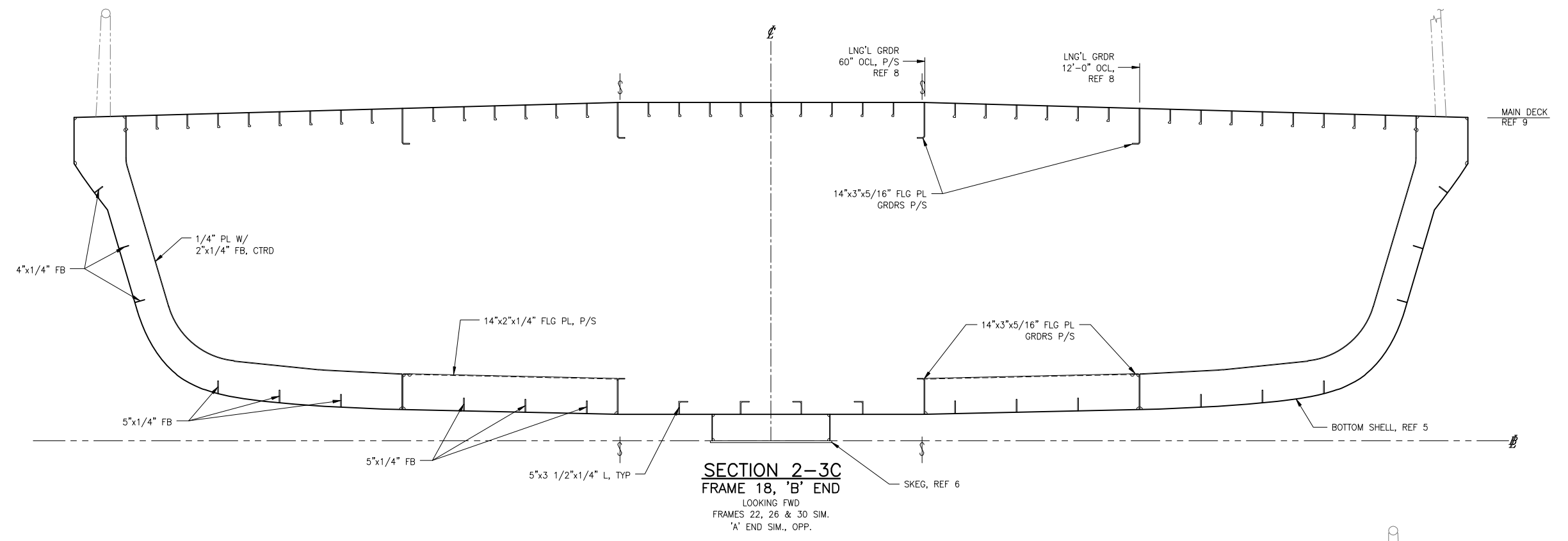
C

B

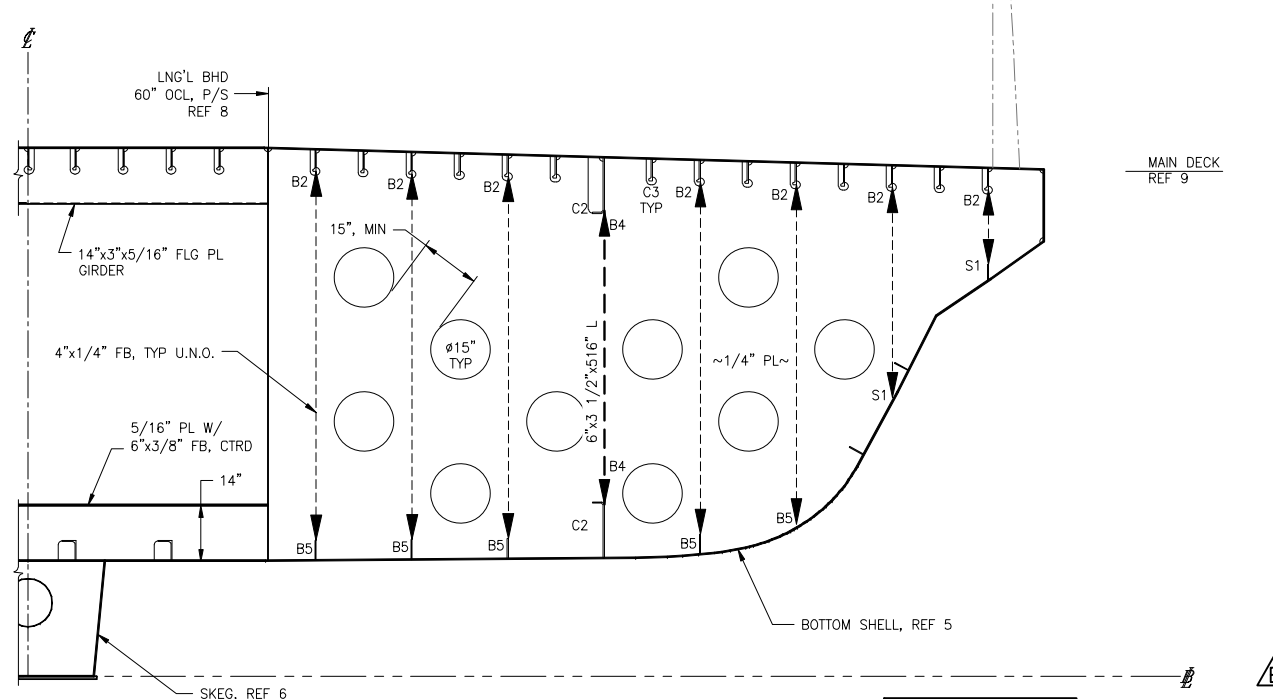
A



SECTION 2-6C
FRAME 05 (PARTIAL)
 'B' END, PORT SIDE, LOOKING FWD
 FRAMES 03, 04, & 06 SIM,
 FRAMES 02, 03, 04, & 05 'A' END SIM., OPP.

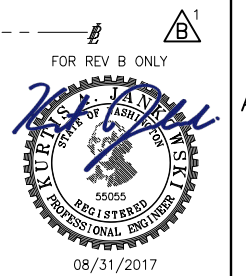


SECTION 2-3A
FRAME 20, 'B' END
 LOOKING FWD
 FRAME 16 SIM.
 'A' END SIM., OPP.
 PORT SHOWN STBD SIM., OPP.



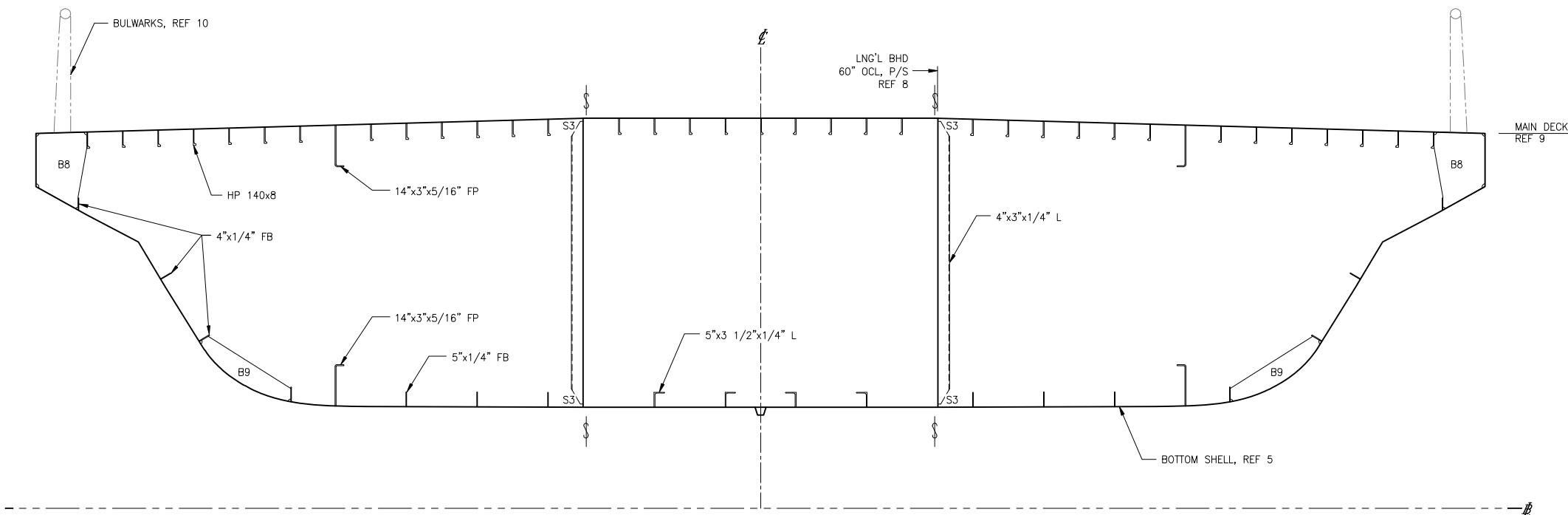
SECTION 2-2A
FRAME 28, 'B' END
 LOOKING FWD
 'A' END SIM., OPP.
 STBD SHOWN PORT SIM., OPP.

STAMP
 PROFESSIONAL ENGINEER
 STAMP PER:
 REV: A
 ENGR: PATRICK D. FAAS
 DATED: 08/02/2017
 STATE: WA
 REG NO: 49313

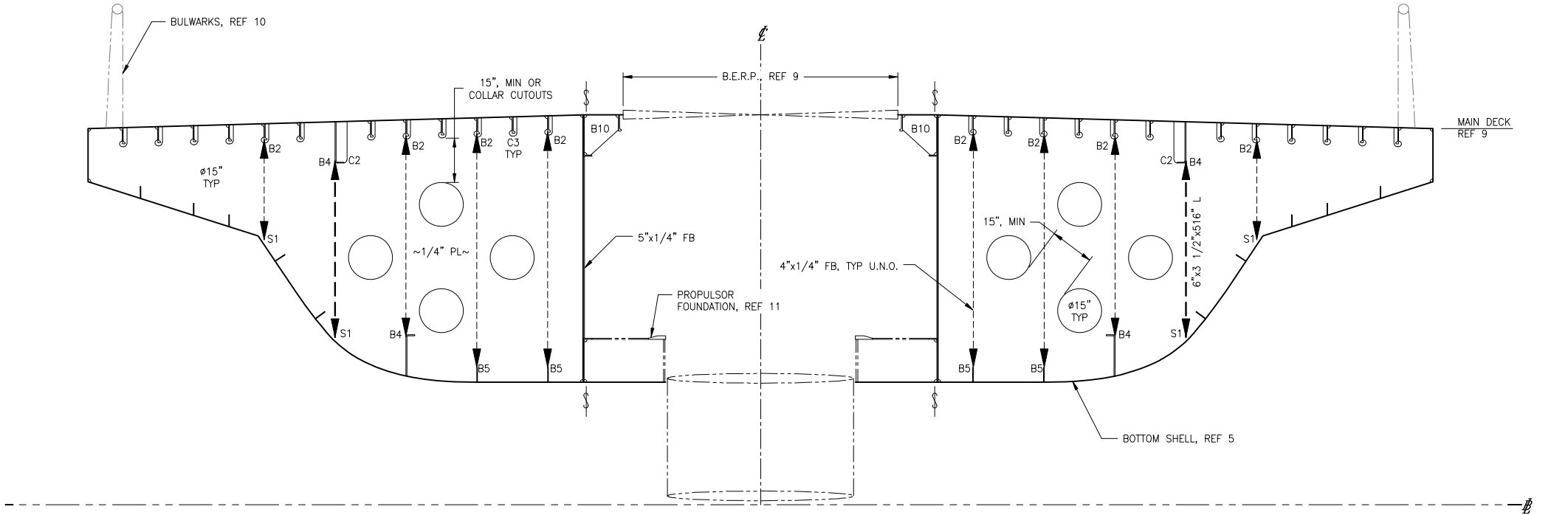


SIZE	D	DWG NO.	16101-200-120-4	REV	B
SCALE	1/2" = 1'-0"	FILE NAME	16101-200-120-4B	SHEET	2 OF 6

CONFIDENTIAL AND PROPRIETARY PROPERTY OF
EBDG - INC, PLLC
 MAY NOT BE USED FOR CONSTRUCTION OR PROVIDED TO
 ANY THIRD PARTIES WITHOUT PRIOR WRITTEN CONSENT.
 © 2017 ELLIOTT BAY DESIGN GROUP.

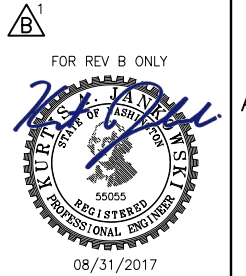


SECTION 3-4C
 FRAME 31, 'B' END
 LOOKING FWD



SECTION 3-4A
 FRAME 36, 'B' END
 LOOKING FWD

STAMP
 PROFESSIONAL ENGINEER
 STAMP PER:
 REV: A
 ENGR: PATRICK D. FAAS
 DATED: 08/02/2017
 STATE: WA
 REG NO: 49313



SIZE	DWG NO.	REV
D	16101-200-120-4	B
SCALE	FILE NAME	SHEET
1/2" = 1'-0"	16101-200-120-4B	3 OF 6

CONFIDENTIAL AND PROPRIETARY PROPERTY OF
EBDG - INC, PLLC
 MAY NOT BE USED FOR CONSTRUCTION OR PROVIDED TO
 ANY THIRD PARTIES WITHOUT PRIOR WRITTEN CONSENT.
 ©2017 ELLIOTT BAY DESIGN GROUP.

6

5

4

3

2

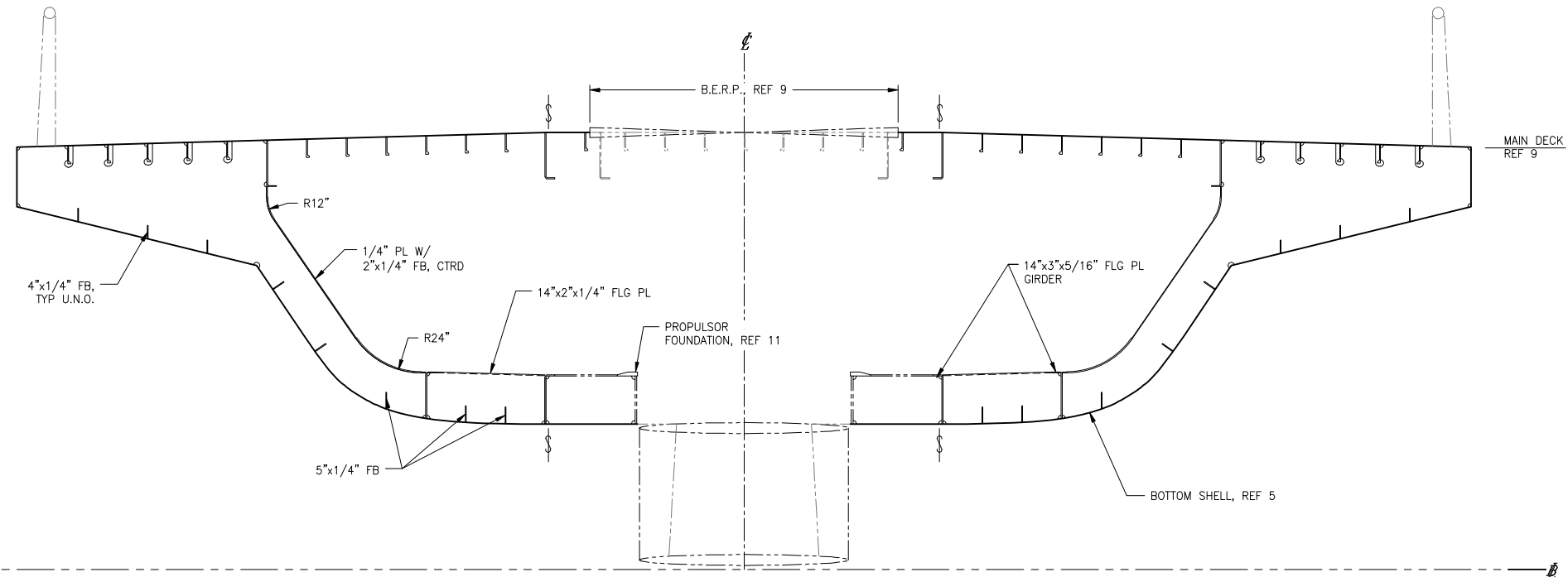
1

D

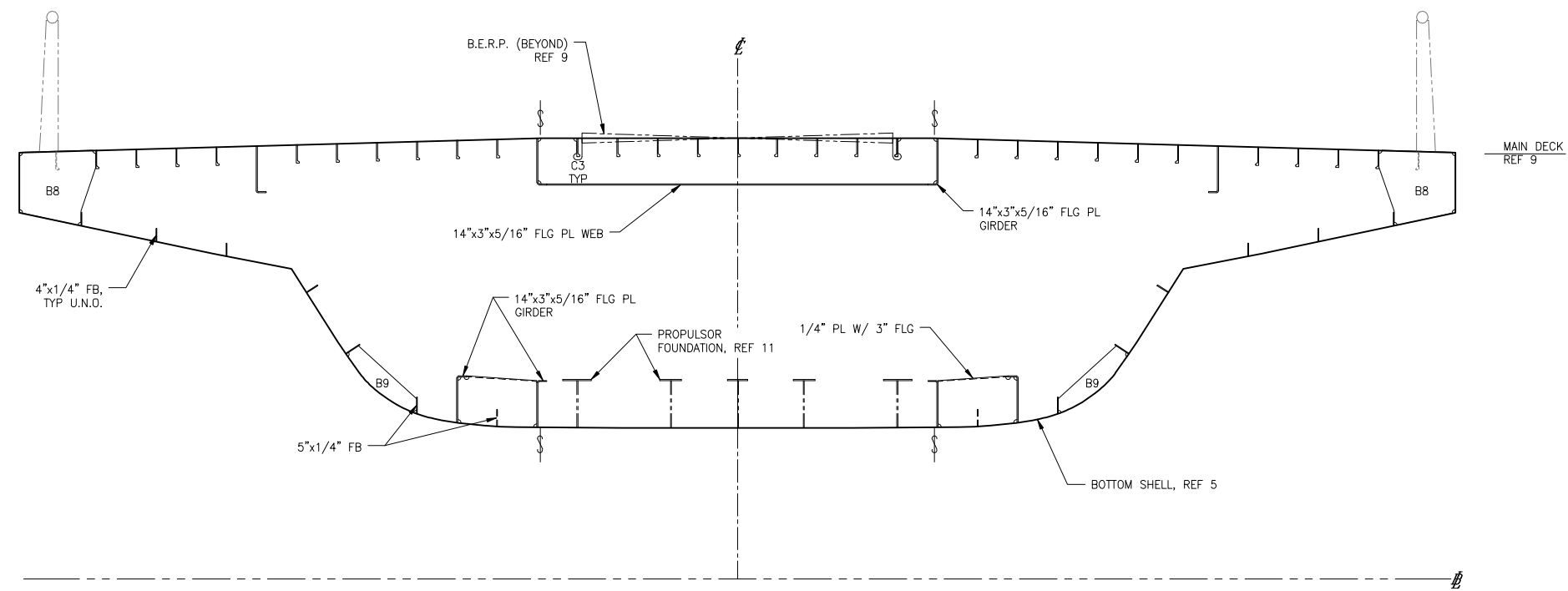
C

B

A

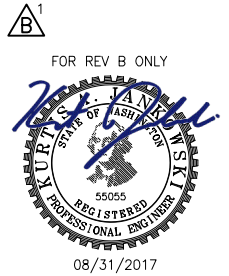


SECTION 4-4C
 FRAME 38, 'B' END
 LOOKING FWD



SECTION 4-4A
 FRAME 39, 'B' END
 LOOKING FWD

STAMP
 PROFESSIONAL ENGINEER
 STAMP PER:
 REV: A
 ENGR: PATRICK D. FAAS
 DATED: 08/02/2017
 STATE: WA
 REG NO: 49313



SIZE	D	DWG NO.	16101-200-120-4	REV	B
SCALE	1/2" = 1'-0"	FILE NAME	16101-200-120-4B	SHEET	4 OF 6

6

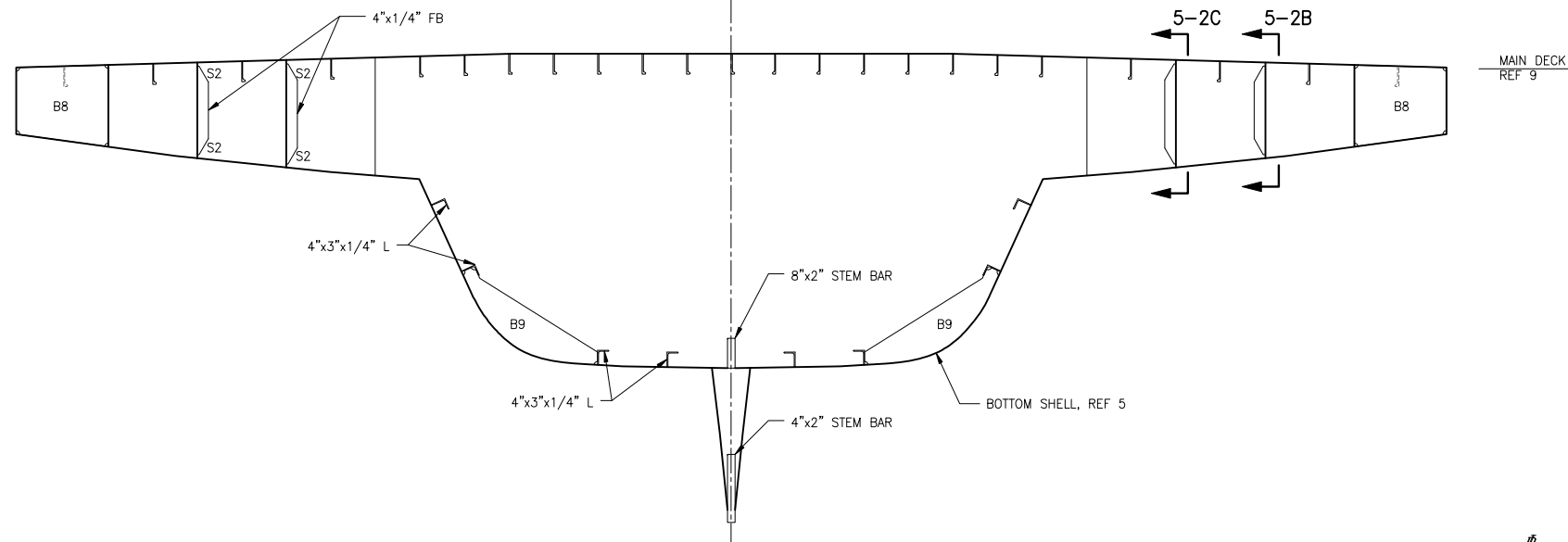
5

4

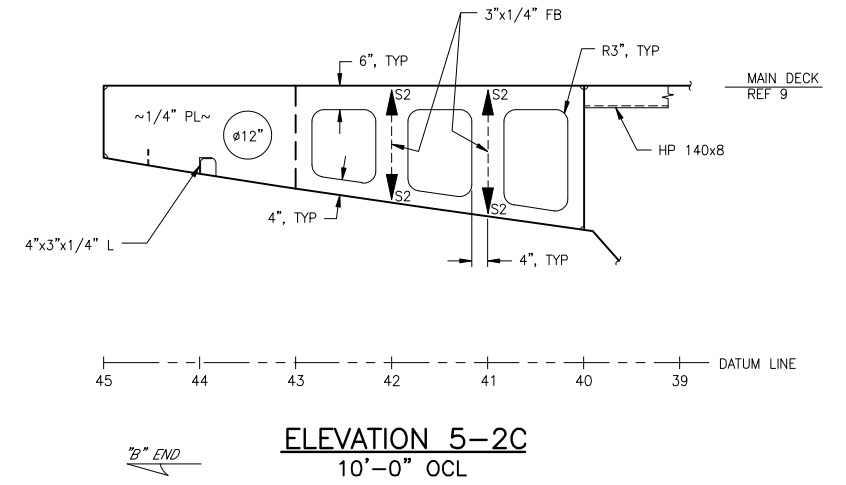
3

2

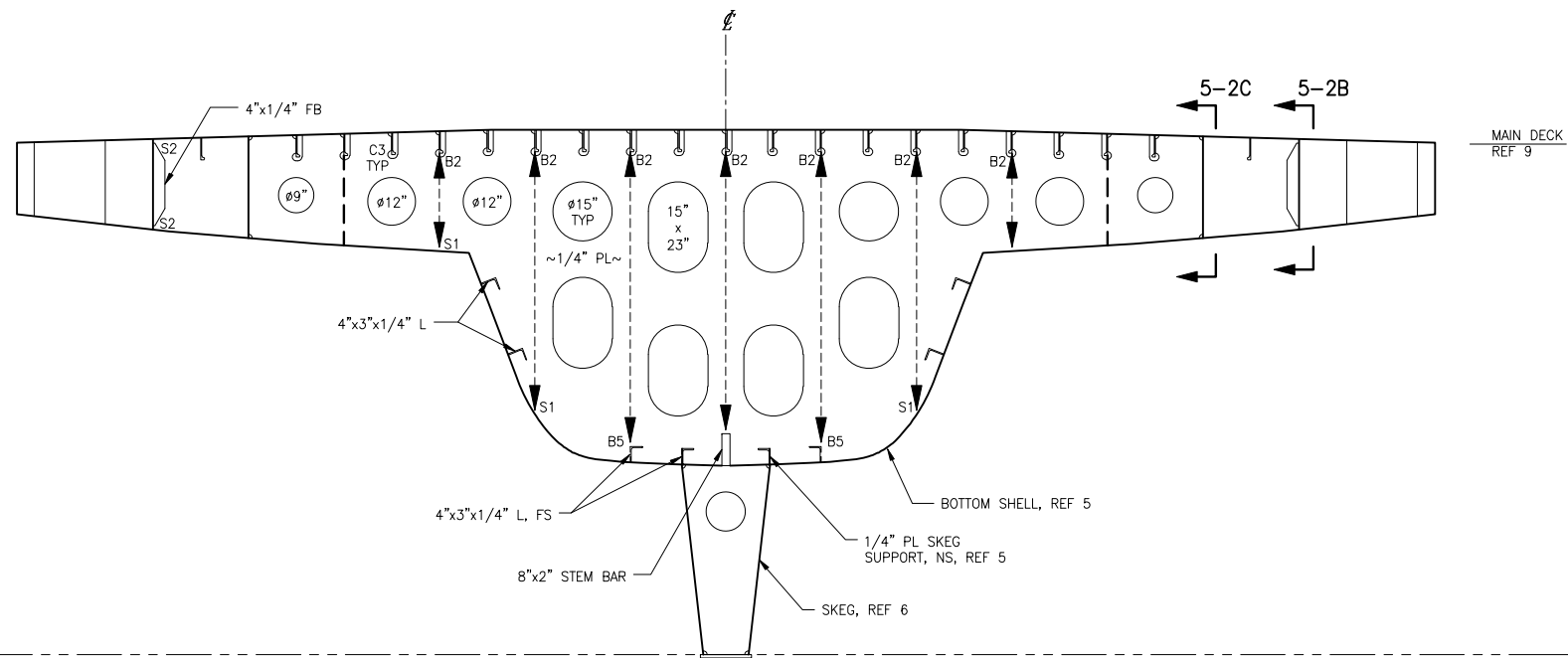
1



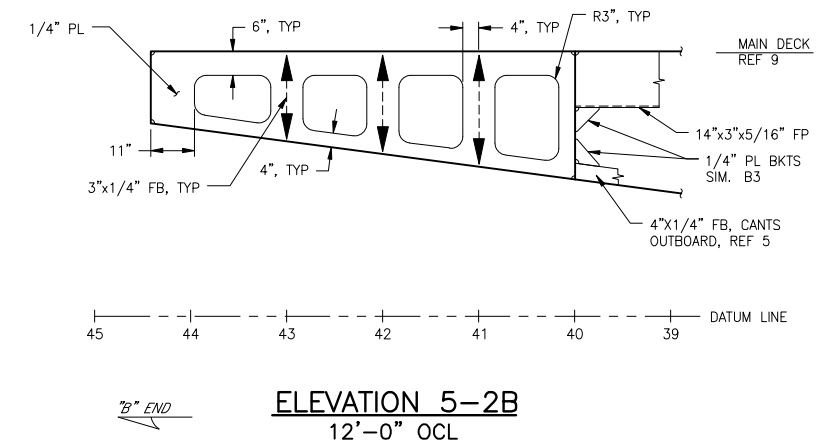
SECTION 5-4C
 FRAME 42, 'B' END
 LOOKING FWD



ELEVATION 5-2C
 10'-0" OCL

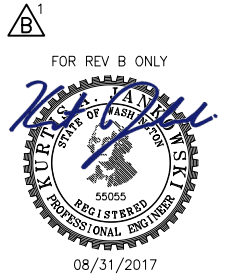


SECTION 5-4A
 FRAME 43, 'B' END
 LOOKING FWD



ELEVATION 5-2B
 12'-0" OCL

STAMP
 PROFESSIONAL ENGINEER
 STAMP PER:
 REV: A
 ENGR: PATRICK D. FAAS
 DATED: 08/02/2017
 STATE: WA
 REG NO: 49313



CONFIDENTIAL AND PROPRIETARY PROPERTY OF
EBDG - INC, PLLC
 MAY NOT BE USED FOR CONSTRUCTION OR PROVIDED TO
 ANY THIRD PARTIES WITHOUT PRIOR WRITTEN CONSENT.
 ©2017 ELLIOTT BAY DESIGN GROUP.

6

5

4

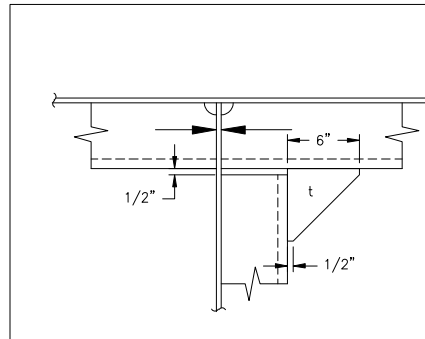
3

2

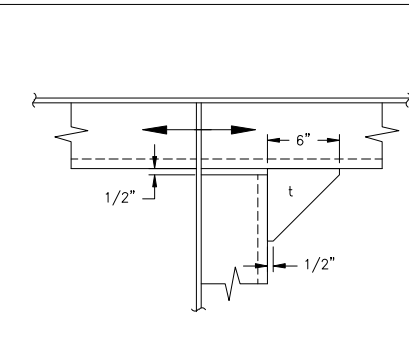
1

D

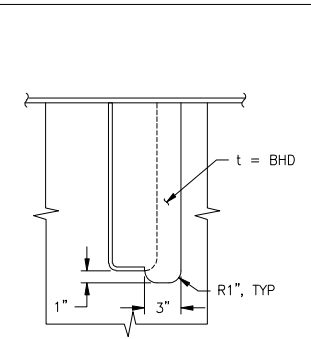
D



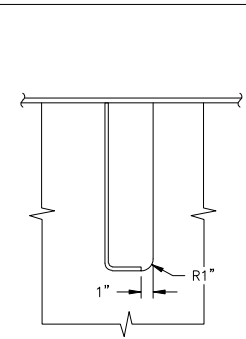
B1



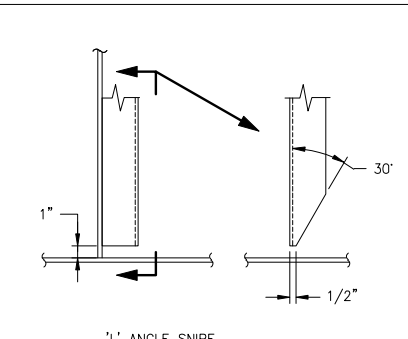
B2



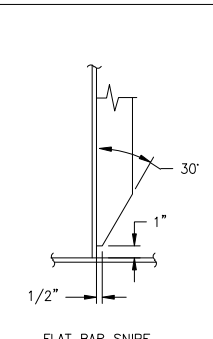
C1



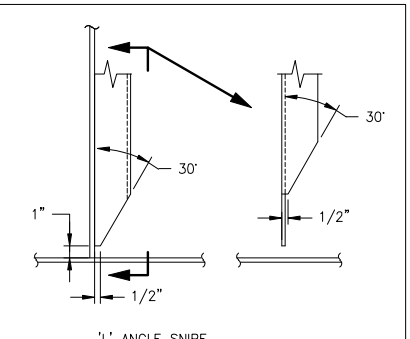
C2



S1



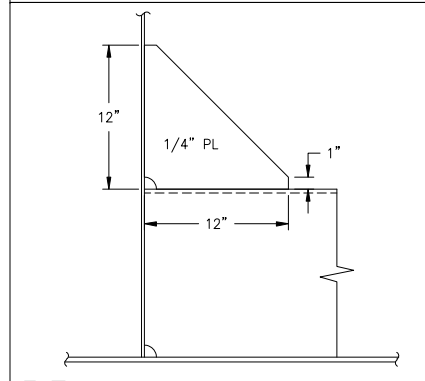
S2



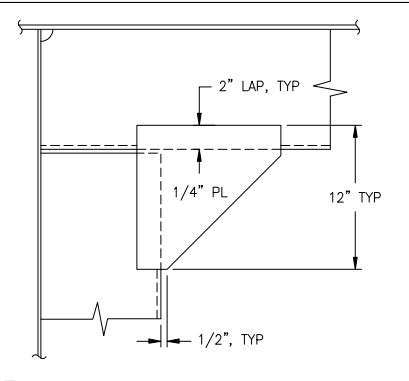
S3

C

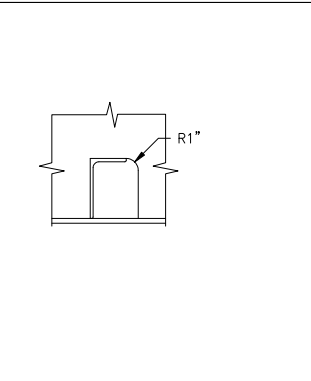
C



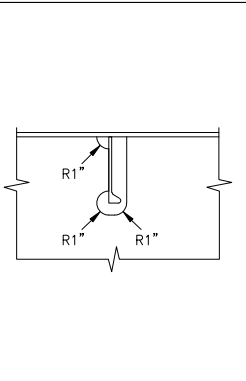
B3



B4



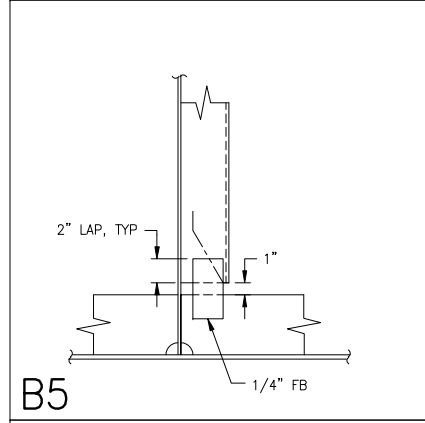
C3



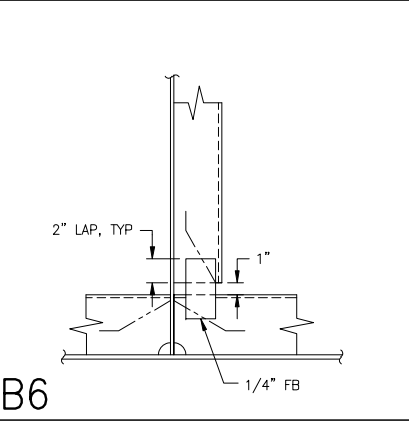
C4

B

B



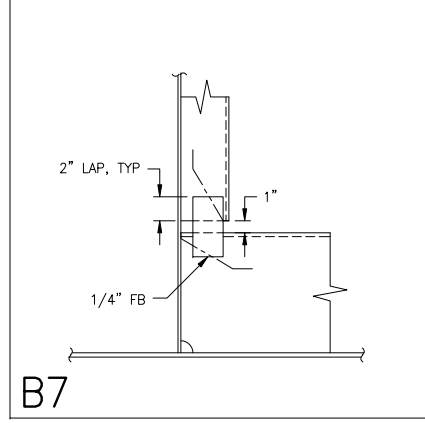
B5



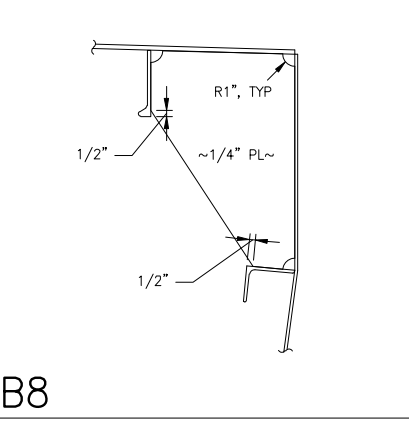
B6

A

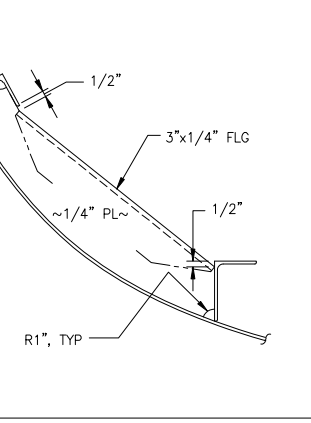
A



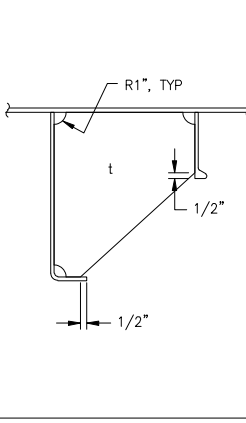
B7



B8



B9



B10

STAMP
 PROFESSIONAL ENGINEER
 STAMP PER:
 REV: A
 ENGR: PATRICK D. FAAS
 DATED: 08/02/2017
 STATE: WA
 REG NO: 49313

