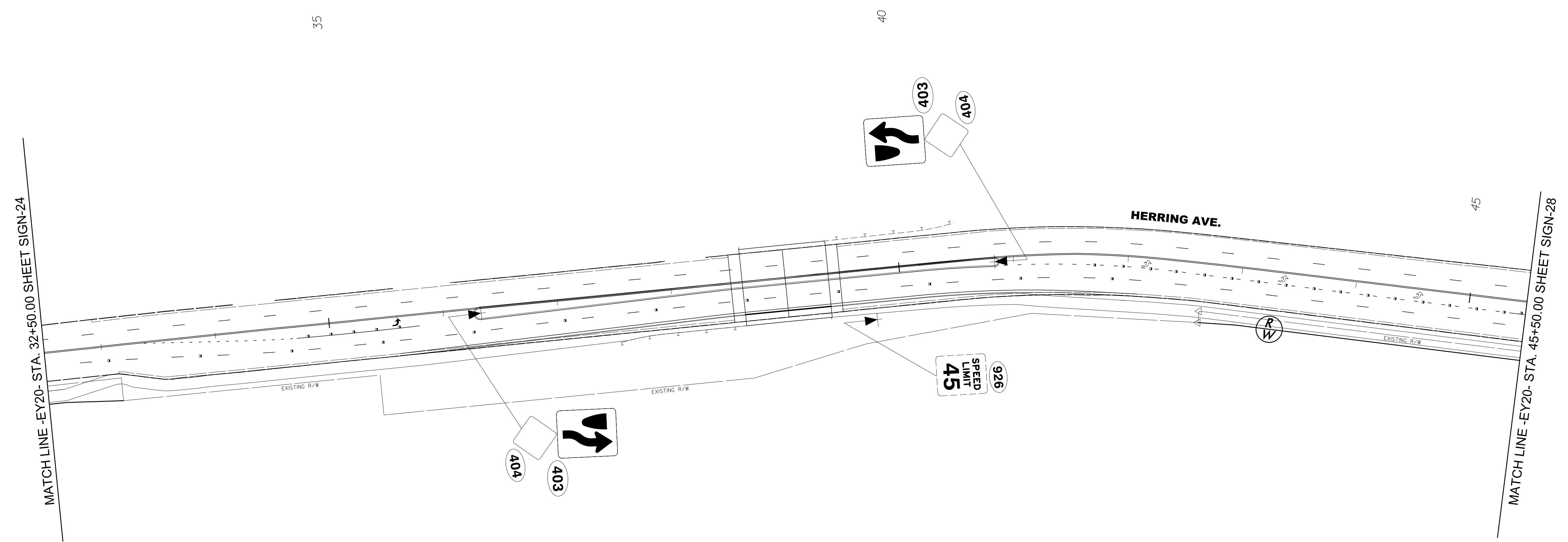


PROJECT REFERENCE NO.	SHEET NO.
U-5935	SIGN-26
<small>DocuSigned by: George Karageorge 5307138EFD09448</small>	
7/12/2017	
<b>DOCUMENT NOT CONSIDERED FINAL UNLESS ALL SIGNATURES COMPLETED</b>	



7/10/2017  
 R:\Tr\office\Signing\CADD\Signing Layout\ Plans\PLAN SHEETS\U-5935\_SIGN\_psh\_26.dgn  
 User:bjrjht-mackenzie

**PROPOSED SIGNS**  
 -EY20- STA. 32+50 TO 45+50