

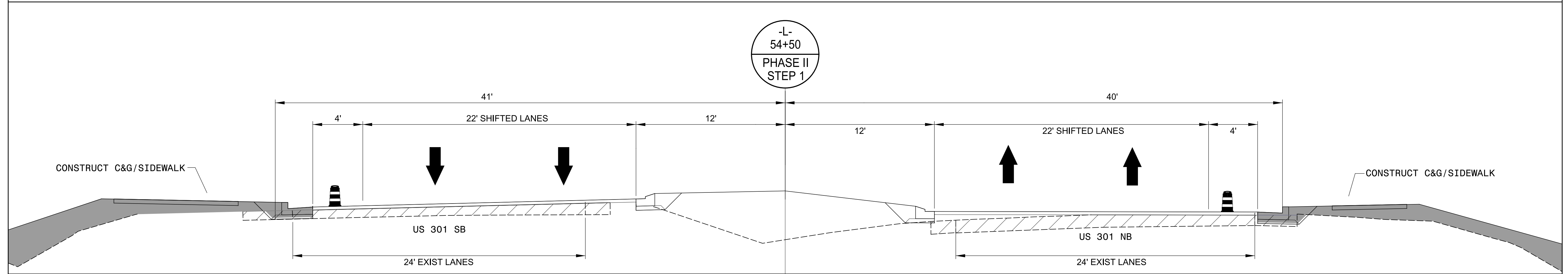
PROJECT REFERENCE NO.	SHEET NO.
U-5935	TMP-3B

  
 SEAL  
 042065  
 PROFESSIONAL ENGINEER  
 GEORGE M. KARAGEORGE  
 State of North Carolina

DocuSigned by:  
 George Karageorge  
 5307126EFD00448 7/12/2017

**DOCUMENT NOT CONSIDERED FINAL  
UNLESS ALL SIGNATURES COMPLETED**

**Michael Baker  
INTERNATIONAL**



7/7/2017  
 R:\Traffic\TrafficControl\PLAN SHEETS\U-5935 TMP 03B PH 2 SECTIONS.dgn  
 George Karageorge

**PHASE II  
CROSS-SECTIONS**