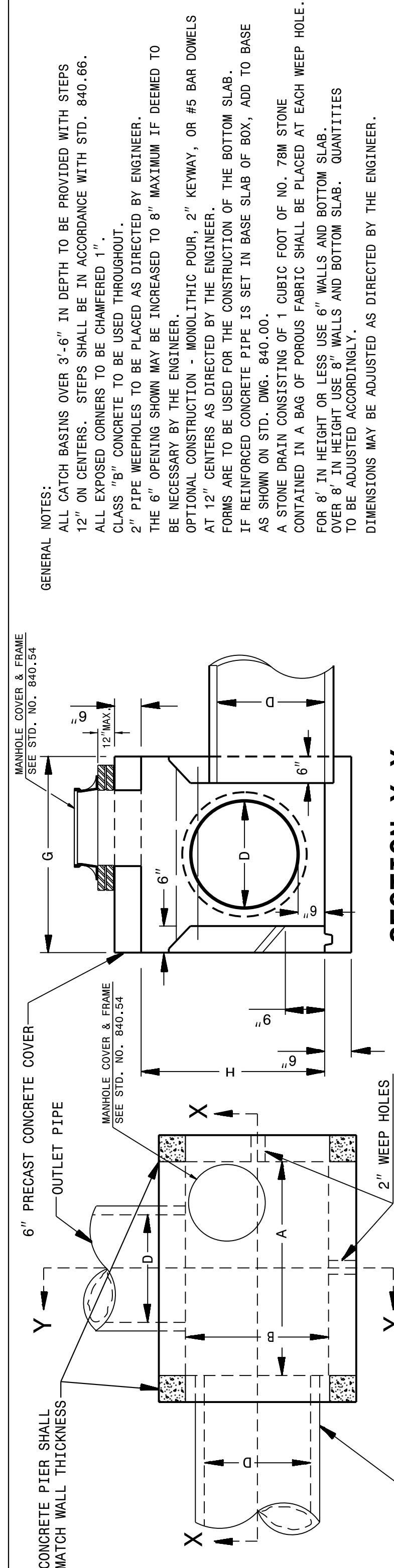


22-JUN-2017 10:57
 S:\Contracts\Special Details\jhover-ton\840d04 3 or 4 side OTCB.dgn
 jhover-ton AT CSD-292595

5/14/99

STATE OF
 NORTH CAROLINA
 DEPT. OF TRANSPORTATION
 DIVISION OF HIGHWAYS
 RALEIGH, N.C.



ENGLISH DETAIL DRAWING FOR
**CONCRETE CATCH BASIN
 (3 OR 4 SIDE OPEN THROAT)
 (MANHOLE OPTIONAL)**

SHEET 1 OF 2
840D04

GENERAL NOTES:
 ALL CATCH BASINS OVER 3'-6" IN DEPTH TO BE PROVIDED WITH STEPS 12" ON CENTERS. STEPS SHALL BE IN ACCORDANCE WITH STD. 840.66. ALL EXPOSED CORNERS TO BE CHAMFERED 1". CLASS "B" CONCRETE TO BE USED THROUGHOUT.
 2" PIPE WEEPHOLES TO BE PLACED AS DIRECTED BY ENGINEER.
 THE 6" OPENING SHOWN MAY BE INCREASED TO 8" MAXIMUM IF DEEMED TO BE NECESSARY BY THE ENGINEER.
 OPTIONAL CONSTRUCTION - MONOLITHIC POUR, 2" KEYWAY, OR #5 BAR DOWELS FORMS ARE TO BE USED FOR THE CONSTRUCTION OF THE BOTTOM SLAB.
 IF REINFORCED CONCRETE PIPE IS SET IN BASE SLAB OF BOX, ADD TO BASE AS SHOWN ON STD. DWG. 840.00.
 A STONE DRAIN CONSISTING OF 1 CUBIC FOOT OF NO. 78M STONE CONTAINED IN A BAG OF POROUS FABRIC SHALL BE PLACED AT EACH WEEP HOLE.
 FOR 8" IN HEIGHT OR LESS USE 6" WALLS AND BOTTOM SLAB.
 OVER 8" IN HEIGHT USE 8" WALLS AND BOTTOM SLAB. QUANTITIES TO BE ADJUSTED ACCORDINGLY.
 DIMENSIONS MAY BE ADJUSTED AS DIRECTED BY THE ENGINEER.

STATE OF
 NORTH CAROLINA
 DEPT. OF TRANSPORTATION
 RALEIGH, N.C.

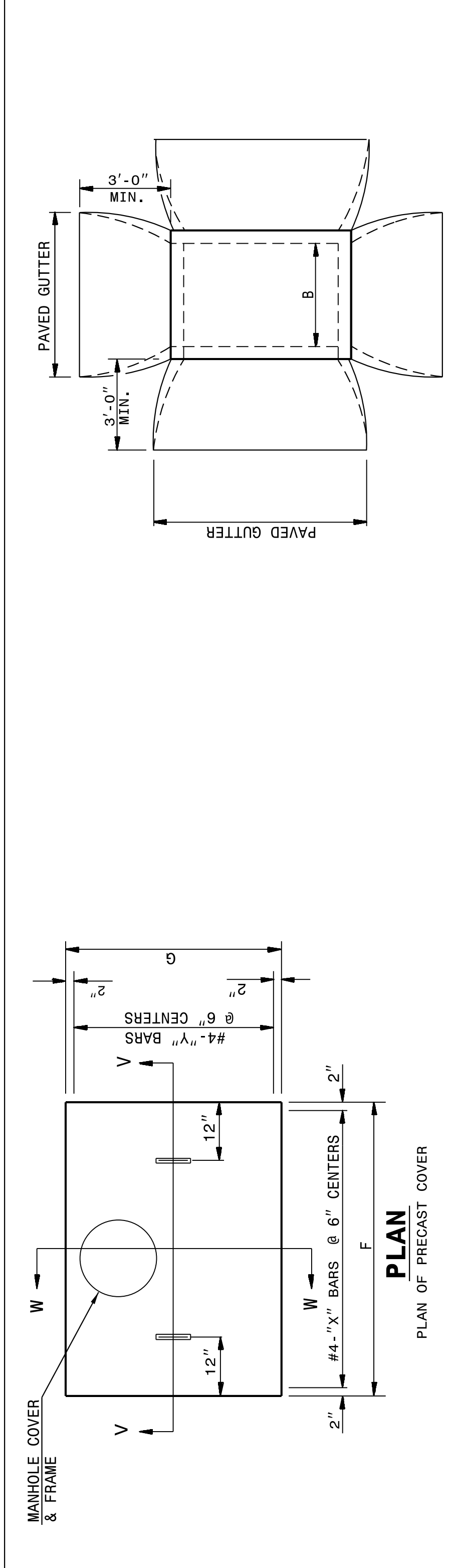
ENGLISH DETAIL DRAWING FOR
**CONCRETE CATCH BASIN
 (3 OR 4 SIDE OPEN THROAT)
 (MANHOLE OPTIONAL)**

SHEET 1 OF 2
840D04

PART SECTION Y-Y
 SHOWING METHOD OF CONSTRUCTION
 IF INCREASED OPENING IS USED

PIPE DIMS OF BOX & PIPE	MIN. DIMENSIONS AND QUANTITIES FOR CONCRETE CATCH BASIN (BASED ON MIN. HEIGHT, H)				TOP & BOT. SLAB DIMENSIONS	CU. YDS. CONC. IN BOX	TOTAL QUANTITIES		DEDUCTION ONE PIPE THROUGH OPENING
	SPAN	WIDTH	HEIGHT	REINFORCING			BOX & SLABS	R. C.	
D	A	B	H	BAKRS - X	BAKRS - Y	BAKRS - Z	NO. LENGTH	NO. LENGTH	F
12"	3'-6"	2'-3"	1'-10"	4	3'-0"	6	4'-3"	4'-6"	3'-3"
15"	3'-6"	2'-3"	2'-1"	4	3'-0"	6	4'-3"	4'-6"	3'-3"
18"	4'-0"	2'-8"	2'-4"	5	3'-5"	7	4'-9"	5'-0"	3'-8"
24"	4'-0"	2'-8"	2'-10"	5	3'-5"	7	4'-9"	5'-0"	3'-8"
30"	4'-0"	3'-6"	3'-4"	5	4'-3"	9	4'-9"	5'-0"	4'-6"
36"	5'-0"	4'-6"	4'-4"	5	4'-9"	12	5'-3"	6'-0"	5'-6"
42"	5'-0"	4'-6"	4'-4"	5	5'-3"	12	5'-9"	6'-0"	5'-6"
48"	5'-0"	5'-0"	4'-10"	5	5'-9"	13	5'-9"	6'-0"	6'-0"

STATE OF
 NORTH CAROLINA
 DEPT. OF TRANSPORTATION
 DIVISION OF HIGHWAYS
 RALEIGH, N.C.



ENGLISH DETAIL DRAWING FOR
**CONCRETE CATCH BASIN
 (3 OR 4 SIDE OPEN THROAT)
 (MANHOLE OPTIONAL)**

SHEET 2 OF 2
840D04

PART SECTION Y-Y
 SHOWING METHOD OF CONSTRUCTION
 IF INCREASED OPENING IS USED

PIPE DIMS OF BOX & PIPE	MIN. DIMENSIONS AND QUANTITIES FOR CONCRETE CATCH BASIN (BASED ON MIN. HEIGHT, H)				TOP & BOT. SLAB DIMENSIONS	CU. YDS. CONC. IN BOX	TOTAL QUANTITIES		DEDUCTION ONE PIPE THROUGH OPENING
	SPAN	WIDTH	HEIGHT	REINFORCING			BOX & SLABS	R. C.	
D	A	B	H	BAKRS - X	BAKRS - Y	BAKRS - Z	NO. LENGTH	NO. LENGTH	F
12"	3'-6"	2'-3"	1'-10"	4	3'-0"	6	4'-3"	4'-6"	3'-3"
15"	3'-6"	2'-3"	2'-1"	4	3'-0"	6	4'-3"	4'-6"	3'-3"
18"	4'-0"	2'-8"	2'-4"	5	3'-5"	7	4'-9"	5'-0"	3'-8"
24"	4'-0"	2'-8"	2'-10"	5	3'-5"	7	4'-9"	5'-0"	3'-8"
30"	4'-0"	3'-6"	3'-4"	5	4'-3"	9	4'-9"	5'-0"	4'-6"
36"	5'-0"	4'-6"	4'-4"	5	4'-9"	12	5'-3"	6'-0"	5'-6"
42"	5'-0"	4'-6"	4'-4"	5	5'-3"	12	5'-9"	6'-0"	5'-6"
48"	5'-0"	5'-0"	4'-10"	5	5'-9"	13	5'-9"	6'-0"	6'-0"

STATE OF
 NORTH CAROLINA
 DEPT. OF TRANSPORTATION
 RALEIGH, N.C.

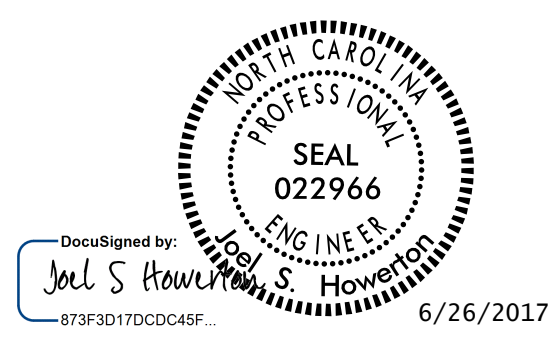
ENGLISH DETAIL DRAWING FOR
**CONCRETE CATCH BASIN
 (3 OR 4 SIDE OPEN THROAT)
 (MANHOLE OPTIONAL)**

SHEET 2 OF 2
840D04

CONTRACT STANDARDS
 AND DEVELOPMENT UNIT
 Office 919-707-6950 FAX 919-250-4119

SEE PLATE FOR TITLE

ORIGINAL BY: _____ DATE: _____
 MODIFIED BY: rnbritt DATE: 07-03-2014
 CHECKED BY: _____ DATE: _____
 FILE SPEC.: details/rnbritt/english/hydro/840d04.dgn



DOCUMENT NOT CONSIDERED FINAL
 UNLESS ALL SIGNATURES COMPLETED