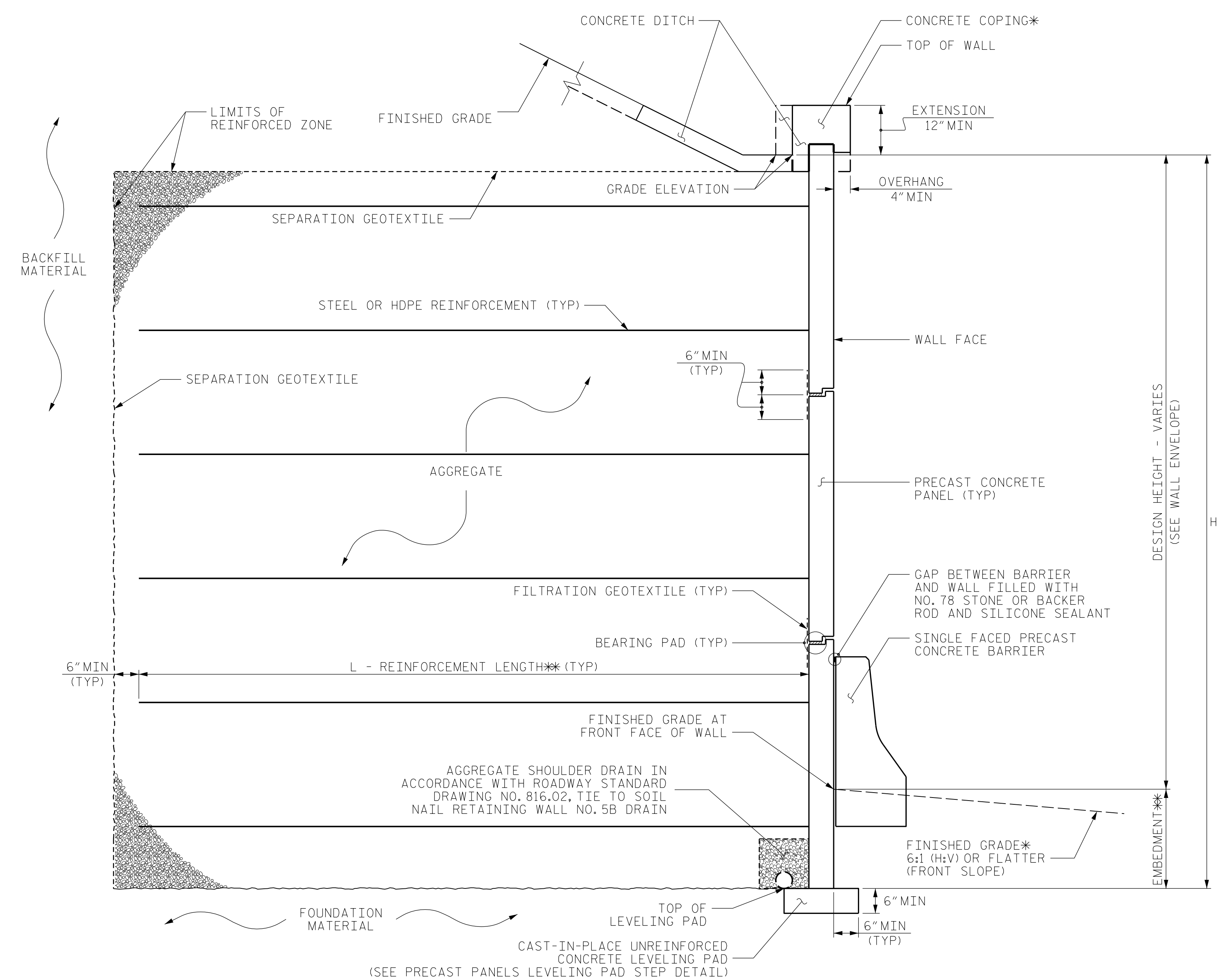
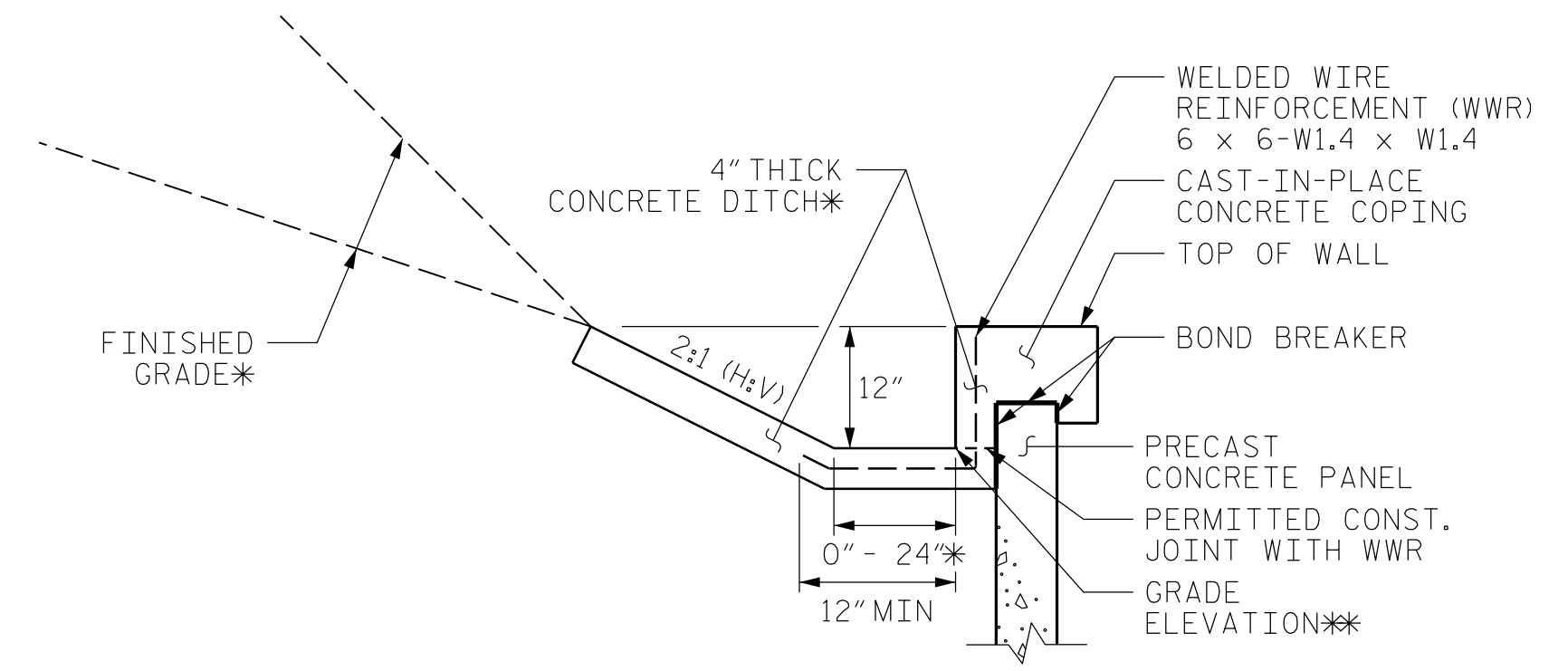
 <p>GEOTECHNICAL ENGINEER</p>	ENGINEER
Designed by: <i>Matthew Alexander</i> DATE: 8/10/2017	SIGNATURE: _____ DATE: _____
DOCUMENT NOT CONSIDERED FINAL UNLESS ALL SIGNATURES COMPLETED	



MSE WALL WITH PRECAST PANELS - TYPICAL SECTION

*SEE COPING DETAILS AND PLANS FOR FINISHED GRADE.
 **SEE MSE RETAINING WALLS PROVISION AND IF APPLICABLE, MSE WALL NOTES FOR EMBEDMENT AND REINFORCEMENT LENGTH REQUIREMENTS.

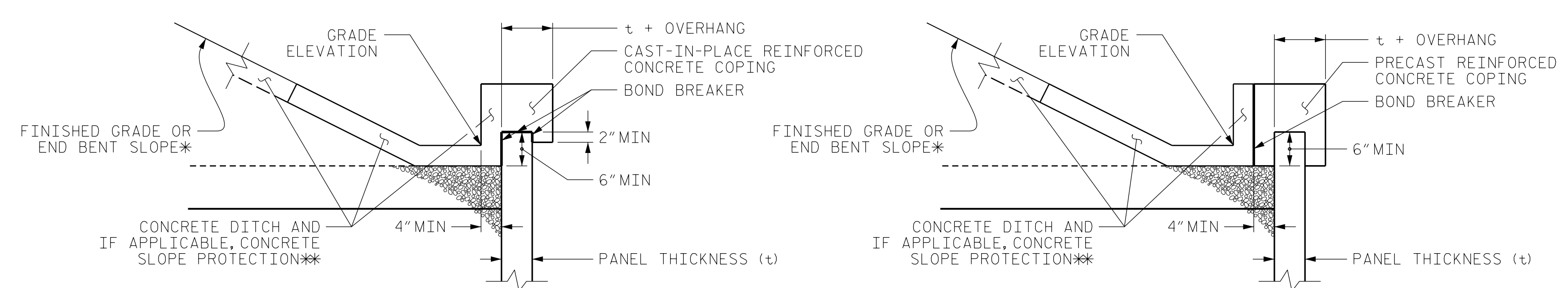


MSE WALL WITH PRECAST PANELS

CONCRETE DITCH BEHIND WALL WITH CONCRETE COPING

*SEE ROADWAY PLANS FOR CONCRETE DITCH AND FINISHED GRADE DETAILS.
 **SEE WALL ENVELOPE FOR GRADE ELEVATIONS.

FOR CONCRETE DITCHES, SEE SECTION 850 OF THE STANDARD SPECIFICATIONS.



COPING DETAILS

*SEE PLANS FOR FINISHED GRADE.
 **SEE CONCRETE DITCH BEHIND WALL DETAILS.

PROJECT NO.: 34243.1.4 (I-4729A)
 POLK COUNTY
 STATION: 11+88.01 -RWALL_5-/
 SHEET 4 OF 5 18+51.67 -RP_WC-

Terracon
 Consulting Engineers & Scientists
 2401 BRENTWOOD ROAD, SUITE 107
 RALEIGH, NORTH CAROLINA 27604
 PHONE: (919) 873-2211 FAX: (919) 873-9555
 NC REGISTERED FIRM: F-0869

**MSE RETAINING WALL NO. 5A
TYPICAL SECTION**

REVISIONS						SHEET NO.
NO.	BY	DATE	NO.	BY	DATE	
1			3			WI-12
2			4			

PREPARED BY: M. J. ALEXANDER	DATE: 8/4/2017
REVIEWED BY: A. F. RIGGS	DATE: 8/4/2017