

0 30 60  
FEET

N

GEOTECHNICAL ENGINEER

NORTH CAROLINA PROFESSIONAL SEAL 040231

MATT ALEXANDER

ENGINEER

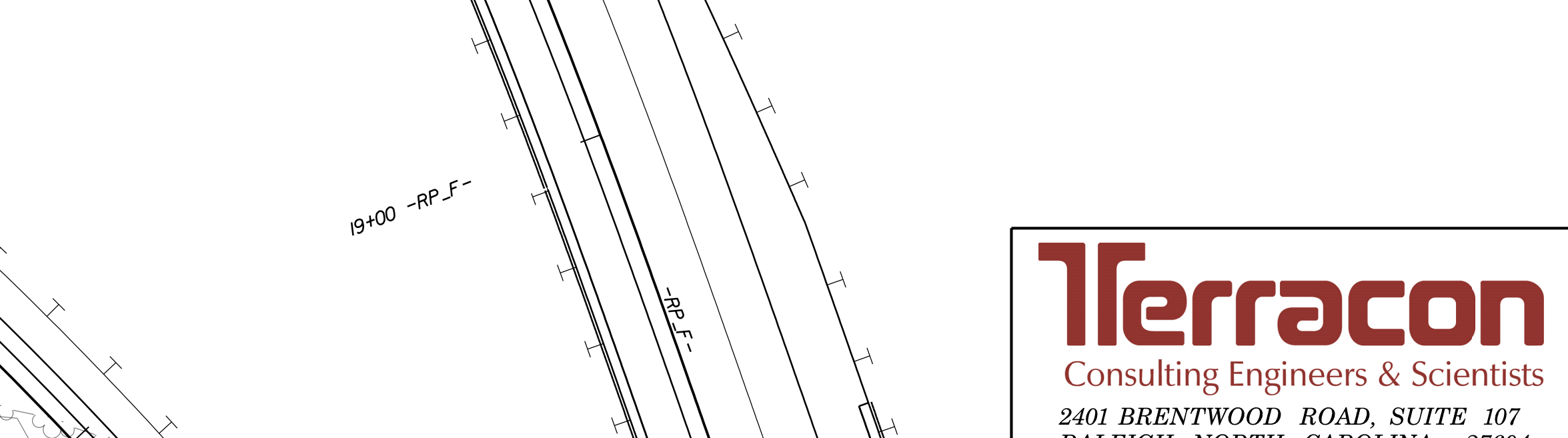
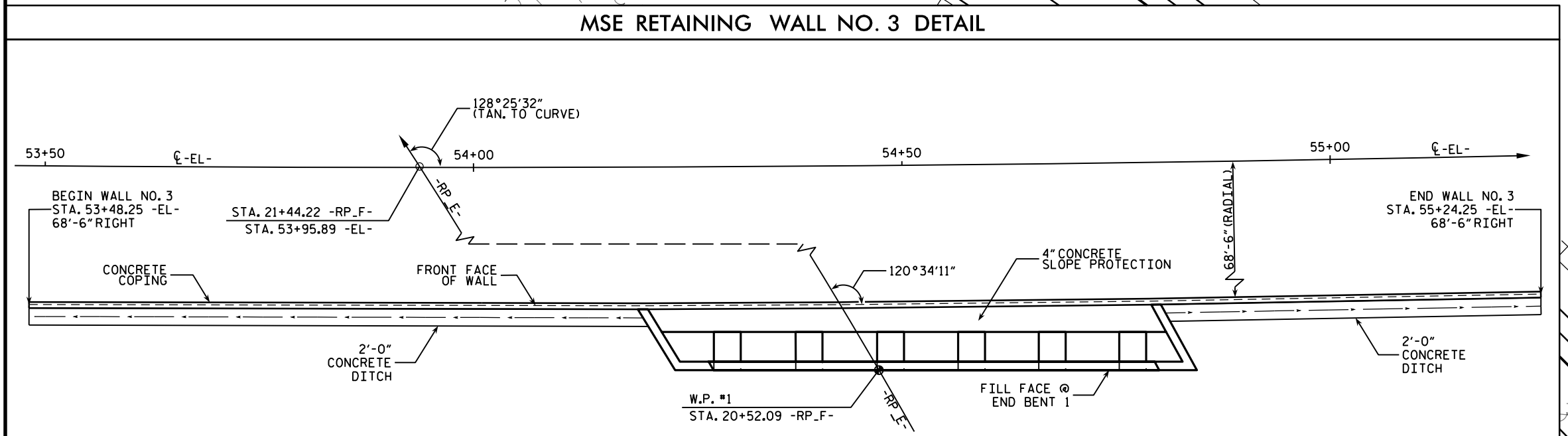
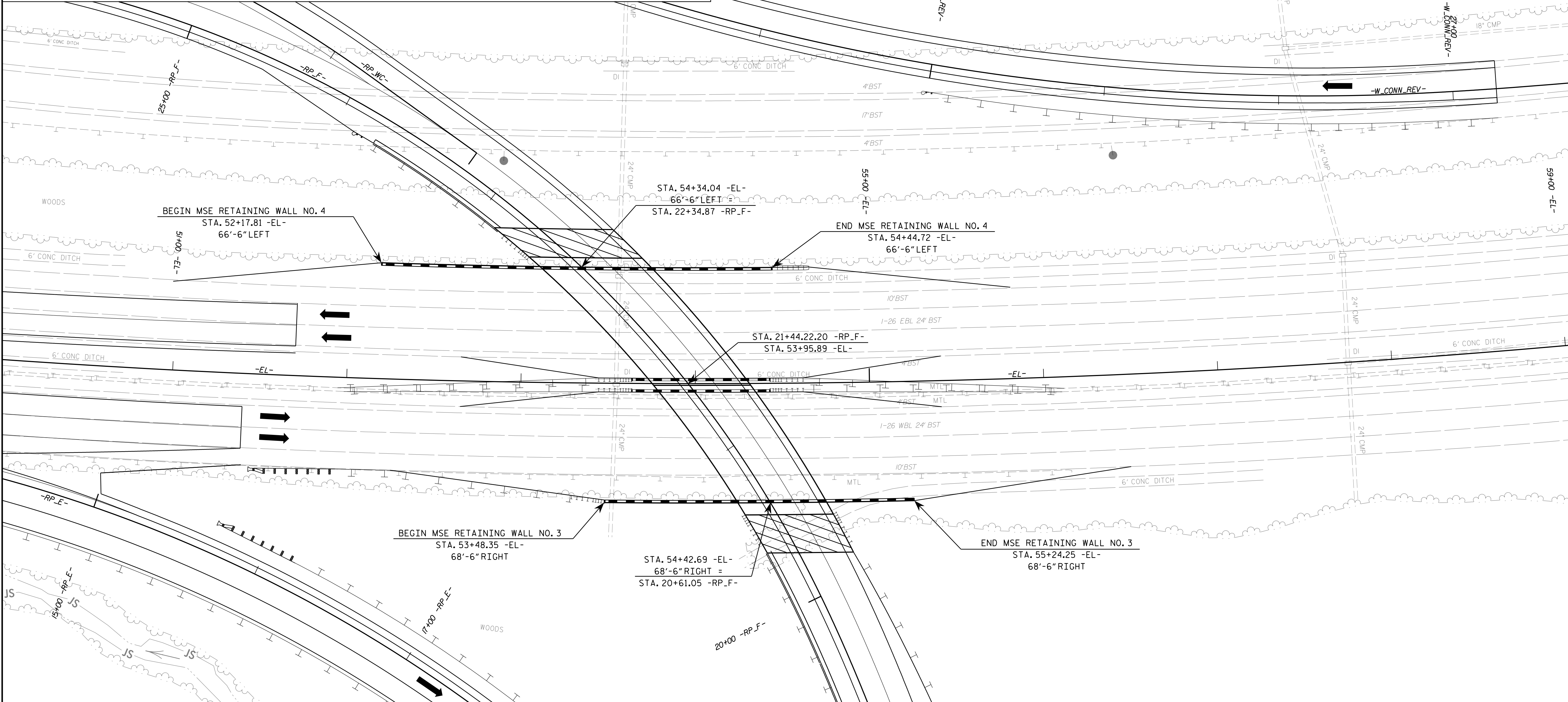
8/10/2017

DATE

SIGNATURE

DATE

**DOCUMENT NOT CONSIDERED FINAL  
UNLESS ALL SIGNATURES COMPLETED**



PROJECT NO.: 34243.1.4 (I-4729A)  
 POLK COUNTY  
 STATION: 21+44.22 -RP\_F- / 53+95.89 -EL-  
 SHEET 4 OF 8

PREPARED BY: M. J. ALEXANDER  
 DATE: 8/4/2017

REVIEWED BY: A. F. RIGGS  
 DATE: 8/4/2017

Terracon

Consulting Engineers & Scientists

2401 BRENTWOOD ROAD, SUITE 107  
 RALEIGH, NORTH CAROLINA 27604  
 PHONE: (919) 873-2211 FAX: (919) 873-9555  
 NC REGISTERED FIRM: F-0869

**MSE RETAINING WALLS  
NO. 3 AND NO. 4  
LOCATION PLAN**

REVISIONS					
NO.	BY	DATE	NO.	BY	DATE
1			3		
2			4		

SHEET NO.  
W-4