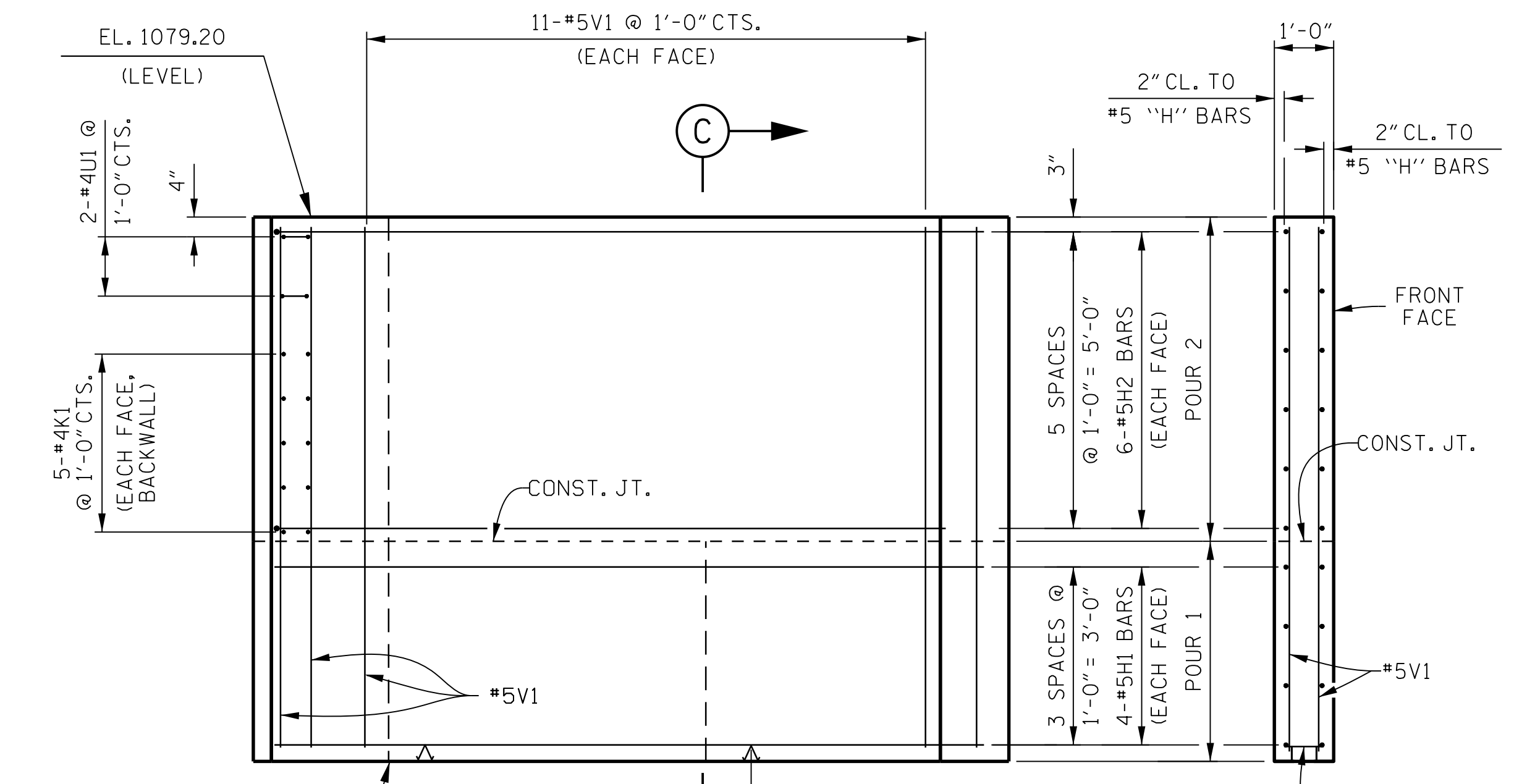
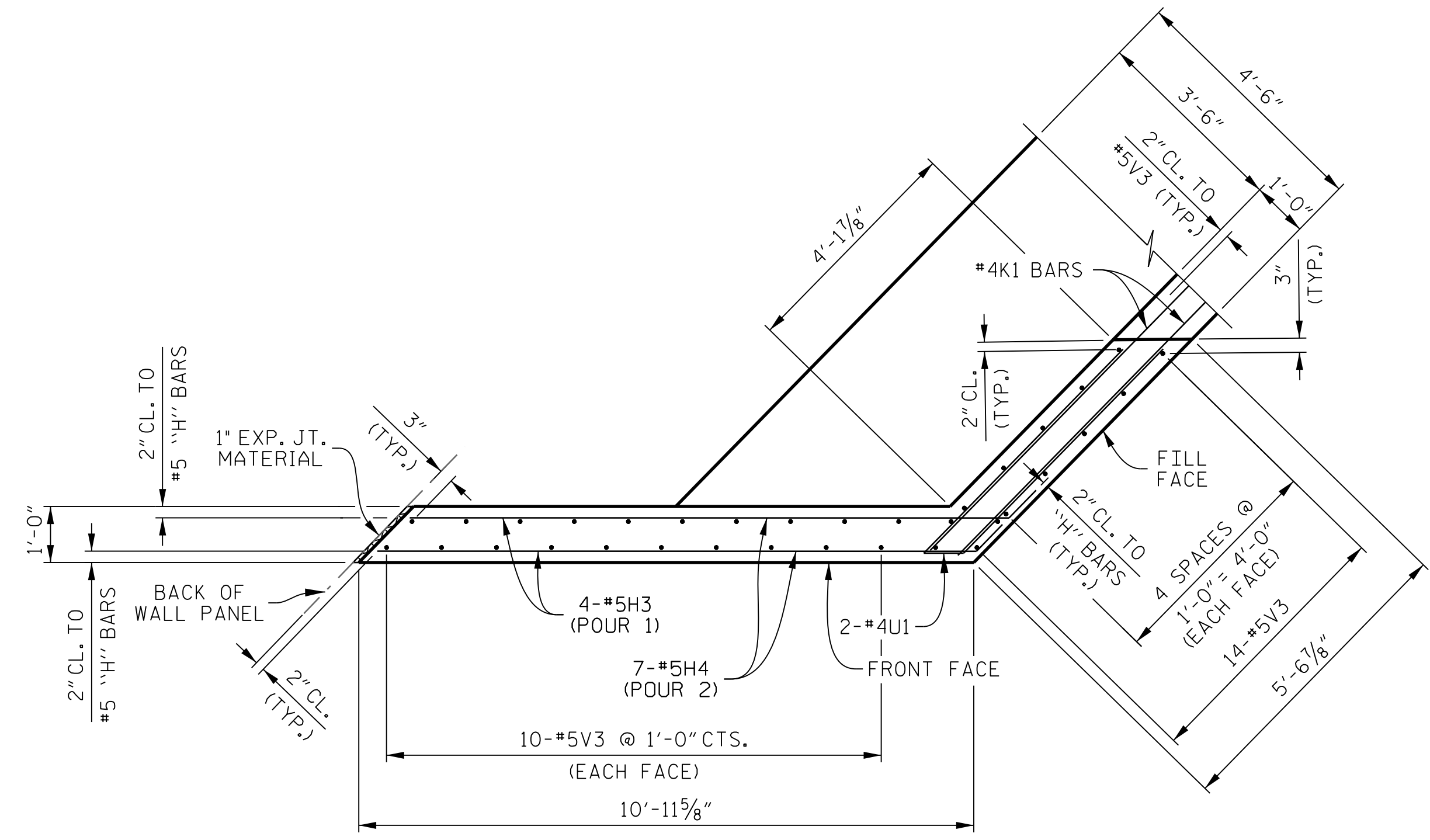


PLAN OF WING W3

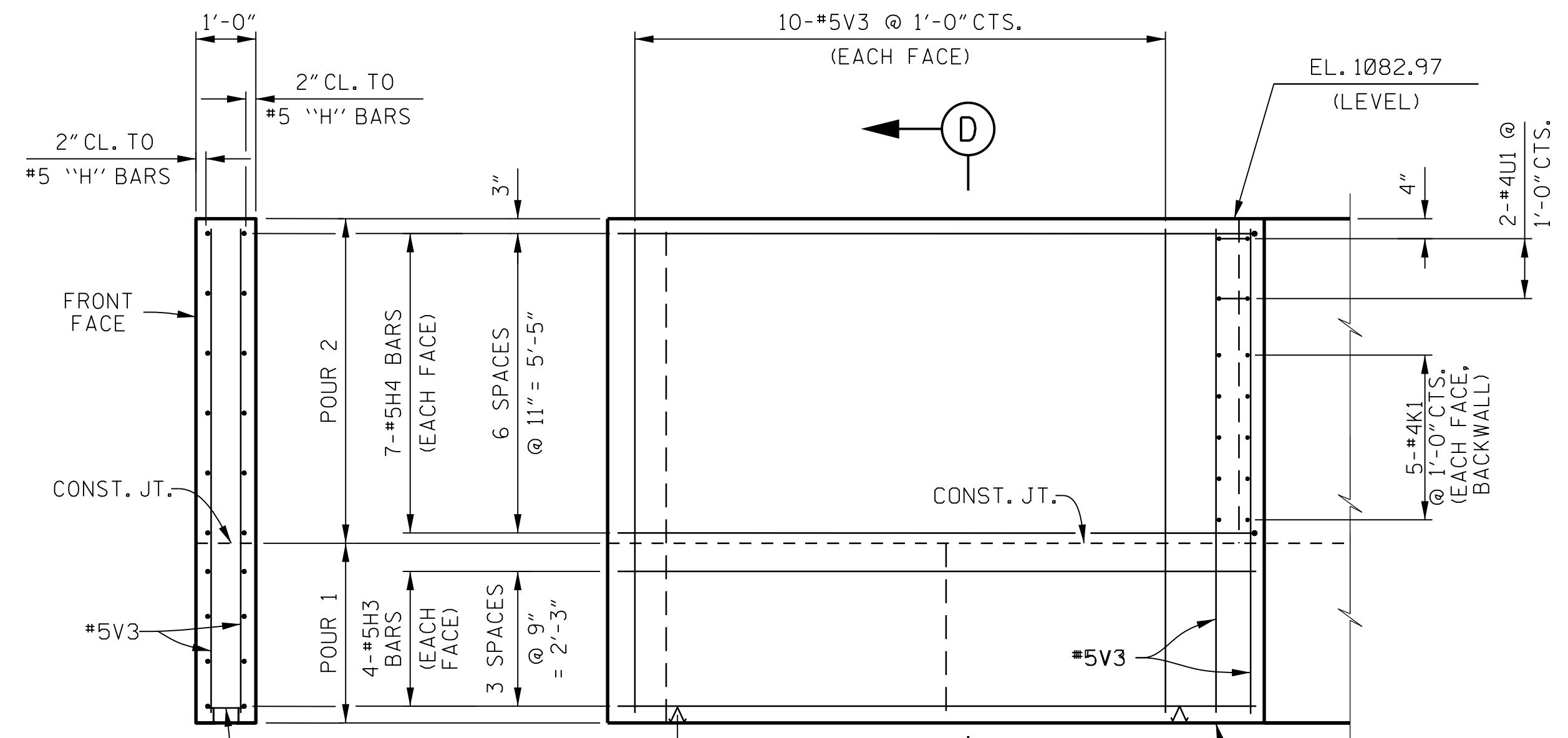


SECTION C-C

ELEVATION OF WING W3



PLAN OF WING W4



SECTION D-D

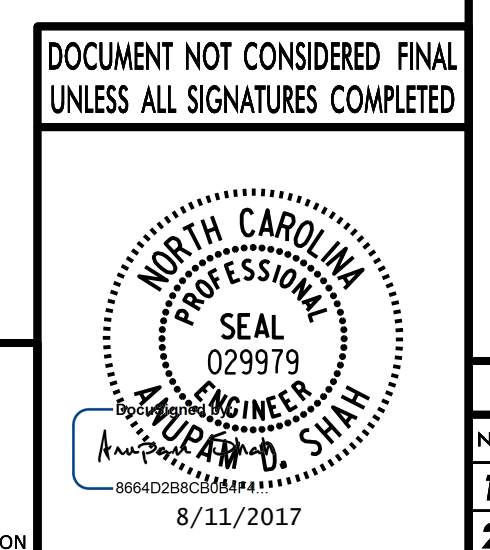
ELEVATION OF WING W4

PROJECT NO. I-4729A
 POLK COUNTY
 STATION: 21+44.22 -RP F-

SHEET 2 OF 3

STATE OF NORTH CAROLINA
 DEPARTMENT OF TRANSPORTATION
 RALEIGH

SUBSTRUCTURE
 END BENT 2



PLANS PREPARED BY:
PARSONS
 5540 CenterView Drive, Suite 217
 Raleigh, NC 27606-3386
 NC LICENSE No. F-0246

DRAWN BY: M. CLAREY / T. DEIMERS DATE: 7-17
 CHECKED BY: D. PRETORIUS DATE: 7-17
 DESIGN ENGINEER: D. PRETORIUS DATE: 7-17

REVISIONS						SHEET No.	
No.	BY:	DATE:	No.	BY:	DATE:	TOTAL SHEETS	STR. #2
1			3			31	
2			4				

FILE: I:\1729A\Substructure\Drawings\Final\Drawings\endbent2.dwg
 DATE: 8/11/2017 12:20:13 PM