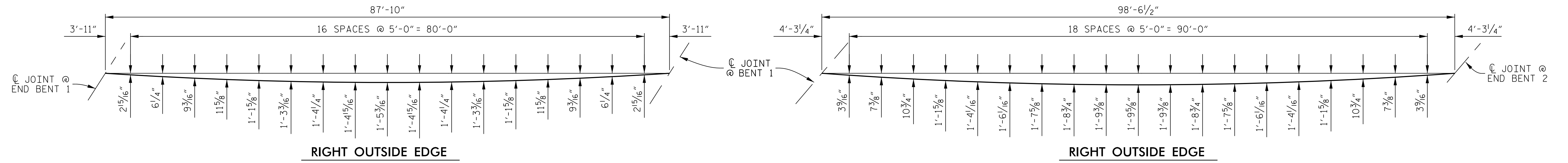


LEFT OUTSIDE EDGE

LEFT OUTSIDE EDGE

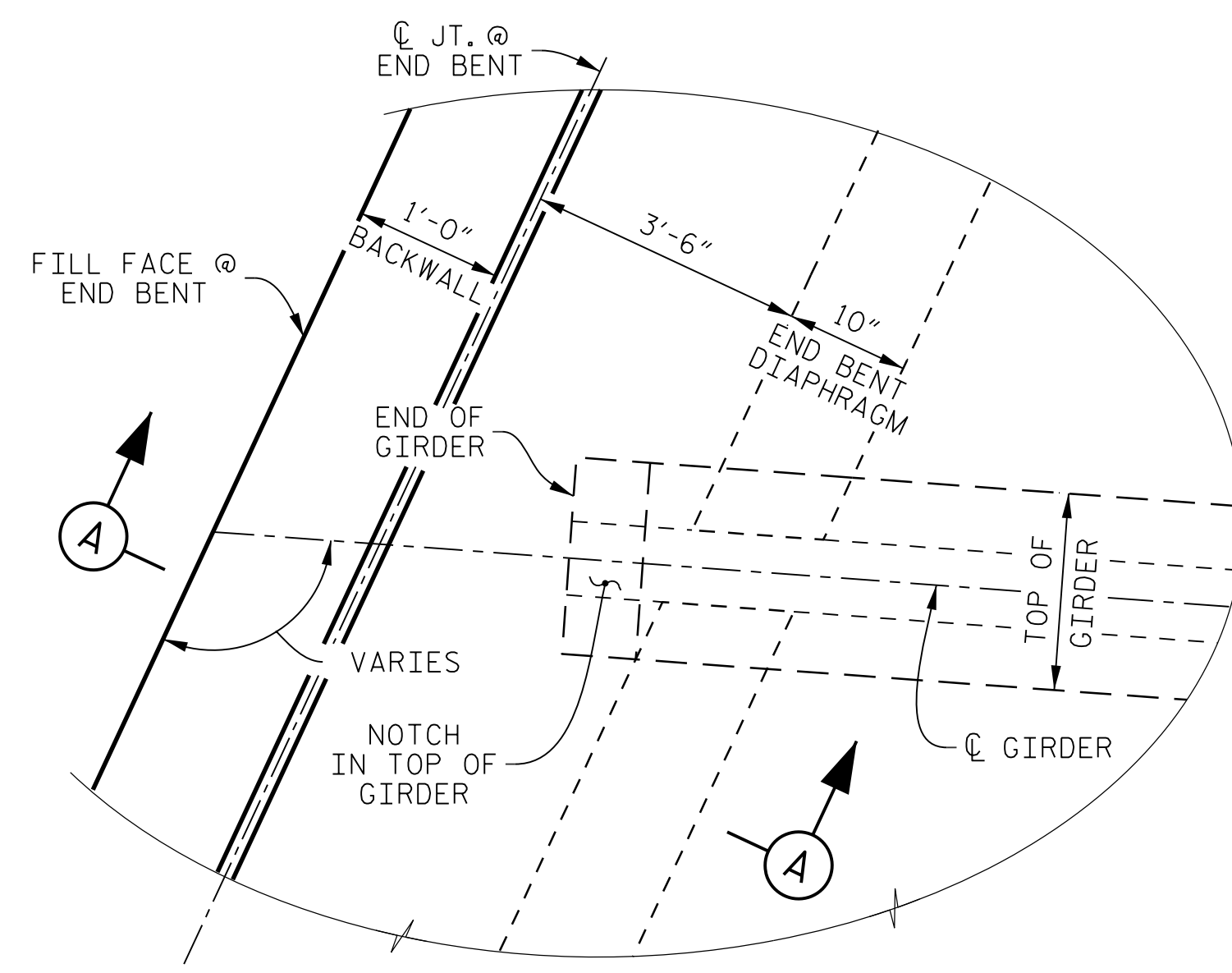


RIGHT OUTSIDE EDGE

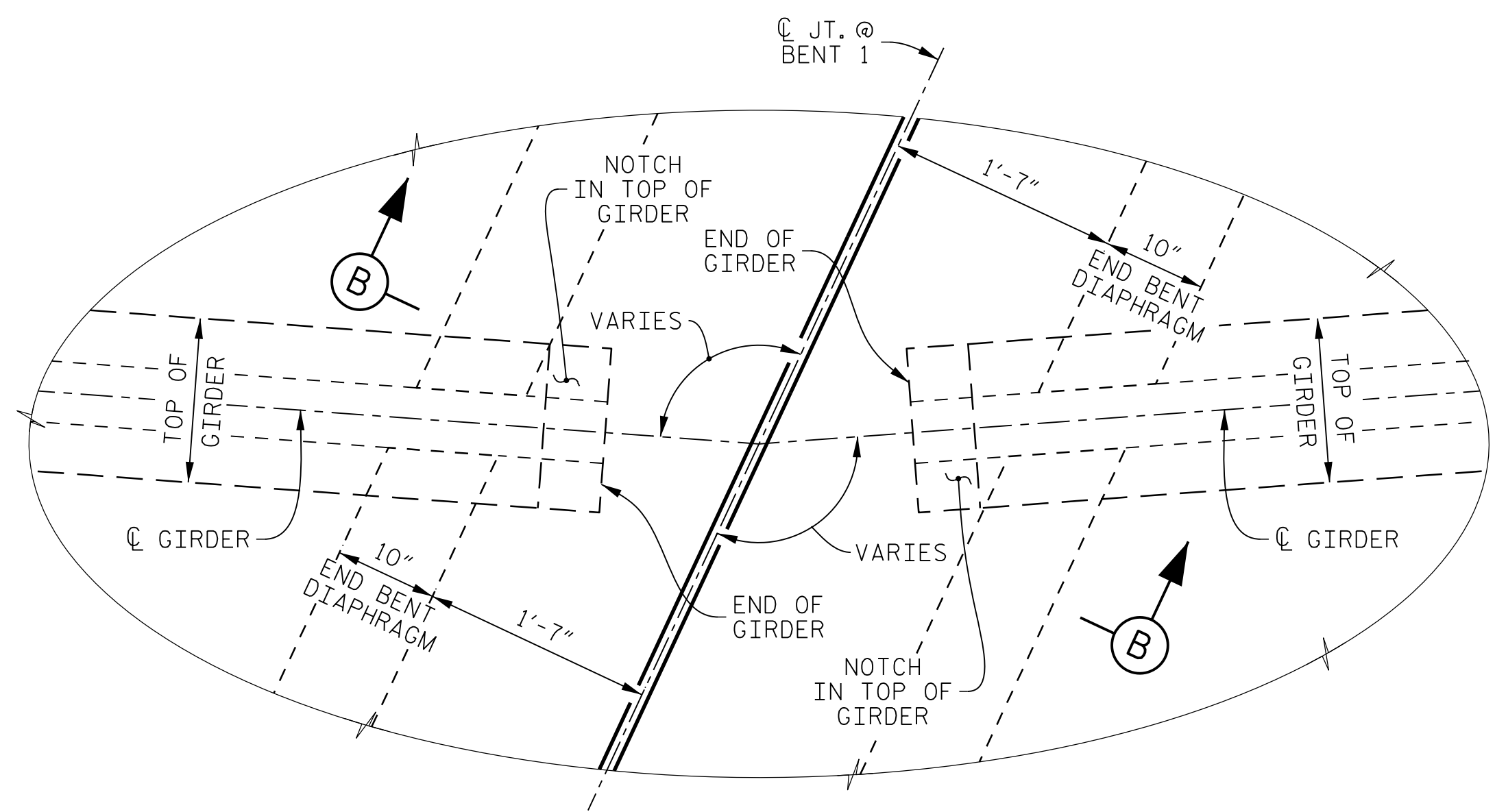
RIGHT OUTSIDE EDGE

ARC OFFSETS – SPAN A

ARC OFFSETS – SPAN B



PLAN OF DIAPHRAGM AT END BENT

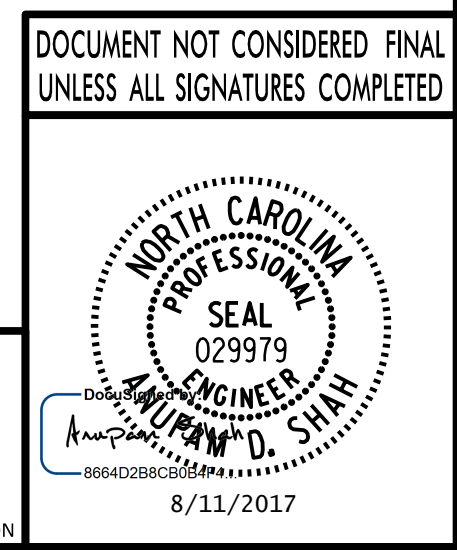


PLAN OF DIAPHRAGM AT BENT 1

PROJECT NO. I-4729A  
 POLK COUNTY  
 STATION: 21 + 44.22 -RP\_F-

SHEET 2 OF 2

STATE OF NORTH CAROLINA DEPARTMENT OF TRANSPORTATION RALEIGH					
SUPERSTRUCTURE					
TYPICAL SECTION					
REVISIONS					
No.	BY:	DATE:	No.	BY:	DATE:
1			3		
2			4		
					SHEET No. S2-7
					TOTAL SHEETS 31



PLANS PREPARED BY:  
**PARSONS**  
 5540 CenterView Drive, Suite 217  
 Raleigh, NC 27606-3386  
 NC LICENSE No. F-0246  
 FOR NORTH CAROLINA DEPARTMENT OF TRANSPORTATION

DRAWN BY : K. E. LOFTON DATE : 7-17  
 CHECKED BY : A. D. SHAH DATE : 7-17  
 DESIGN ENGINEER : S. PHAN DATE : 7-17