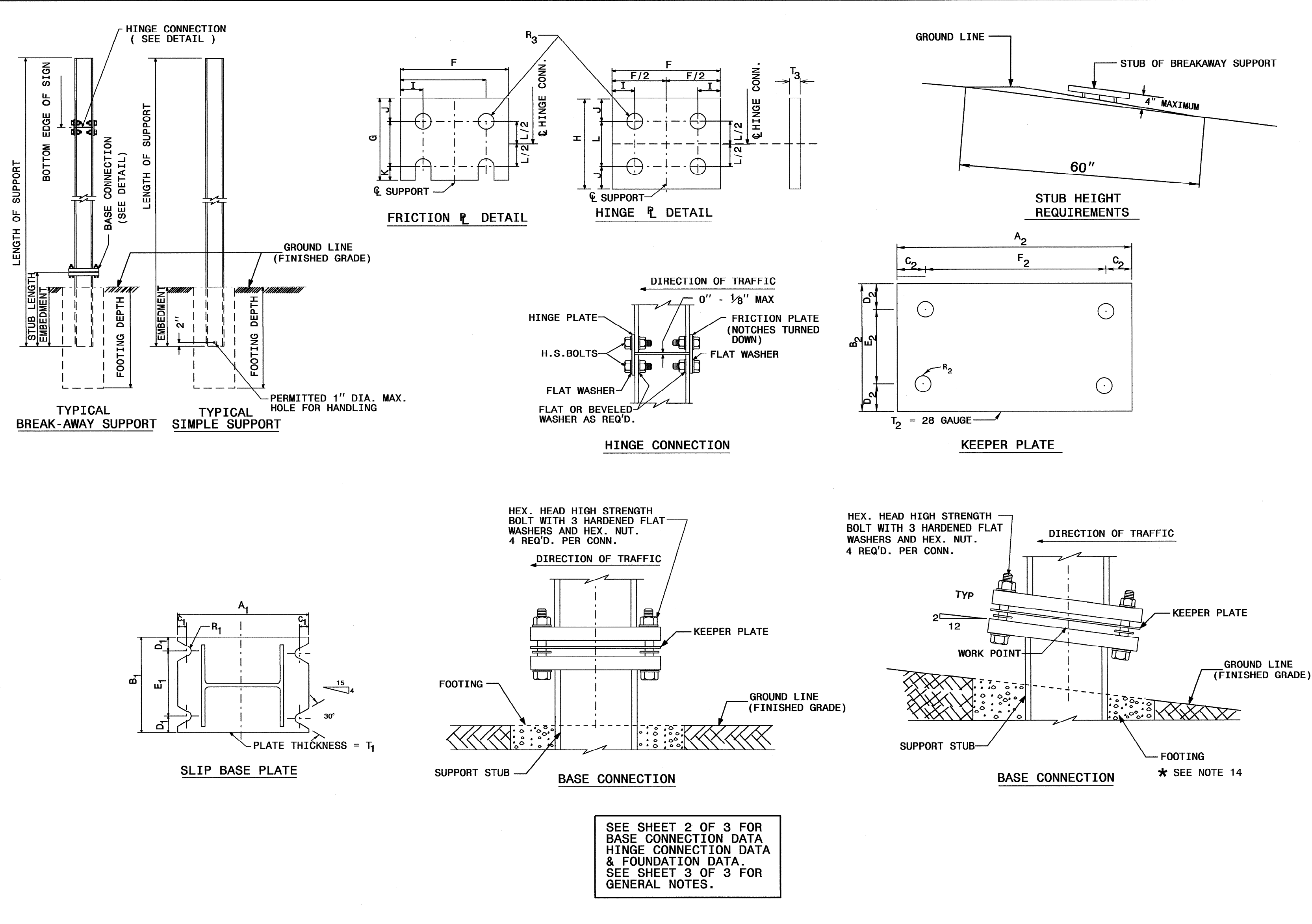


DOCUMENT NOT CONSIDERED FINAL
 UNLESS ALL SIGNATURES COMPLETED

TIP NO. SHEET NO.
 APPROVED: *RW King*
 DATE: 7/26/17
 SEAL

STATE OF NORTH CAROLINA
 DEPT. OF TRANSPORTATION
 DIVISION OF HIGHWAYS
 RALEIGH, N.C.

ENGLISH STANDARD DRAWING FOR
GROUND MOUNTED SIGN SUPPORTS
 SHEET 1 OF 3
903D10



STATE OF NORTH CAROLINA
 DEPT. OF TRANSPORTATION
 DIVISION OF HIGHWAYS
 RALEIGH, N.C.

ENGLISH STANDARD DRAWING FOR
GROUND MOUNTED SIGN SUPPORTS
 SHEET 1 OF 3
903D10

REVISED SIGNING
 ROADWAY STANDARD DRAWING

SIGNING PLANS
 REVISED ROADWAY STANDARD
 DRAWING 903D10

26-JUL-2015 08:37 S:\SBU\Standards Group NEW Standards and Drawings\Drawings\2012 Standard Dvgs\010_sgn_sht101gm_support_Revise_7-3-13.dgn AT: TE265889