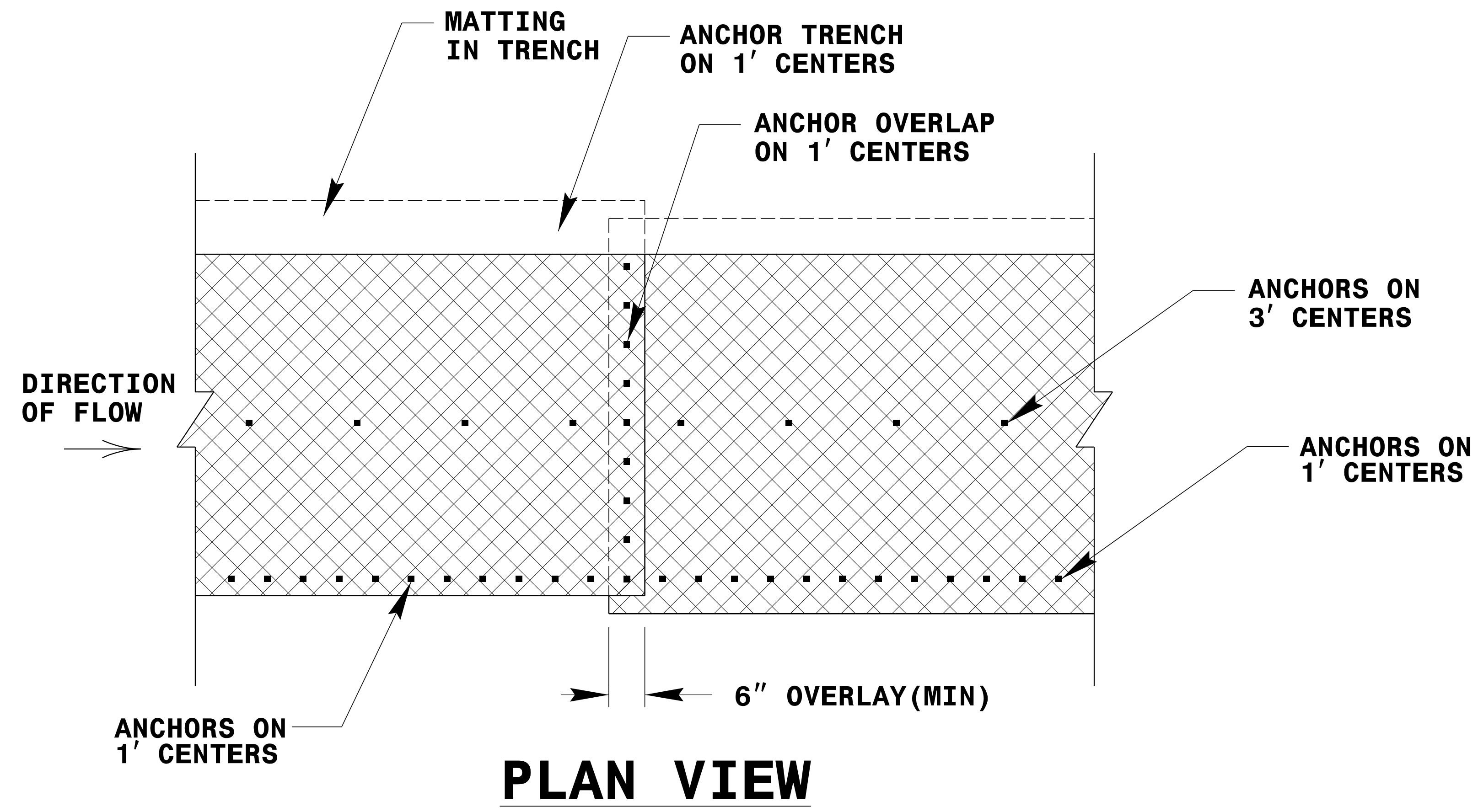
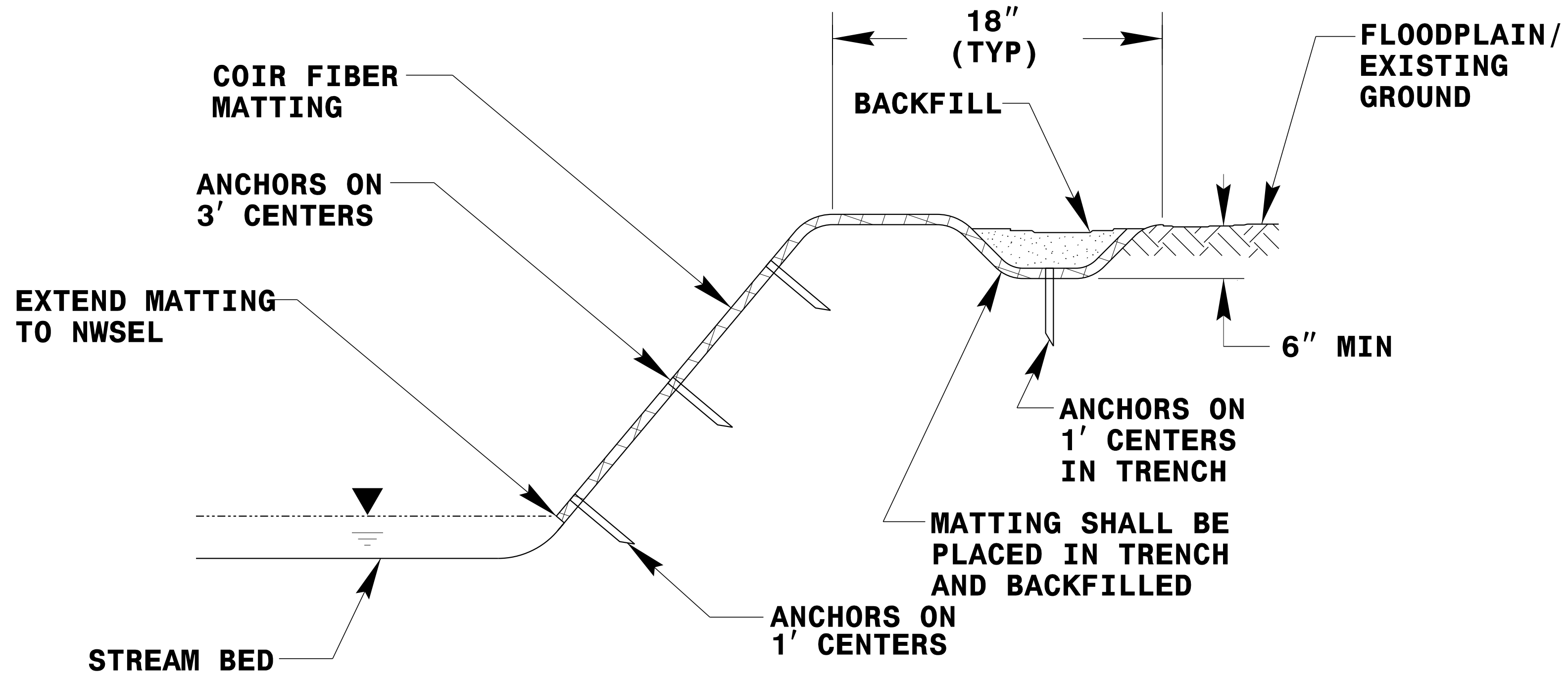


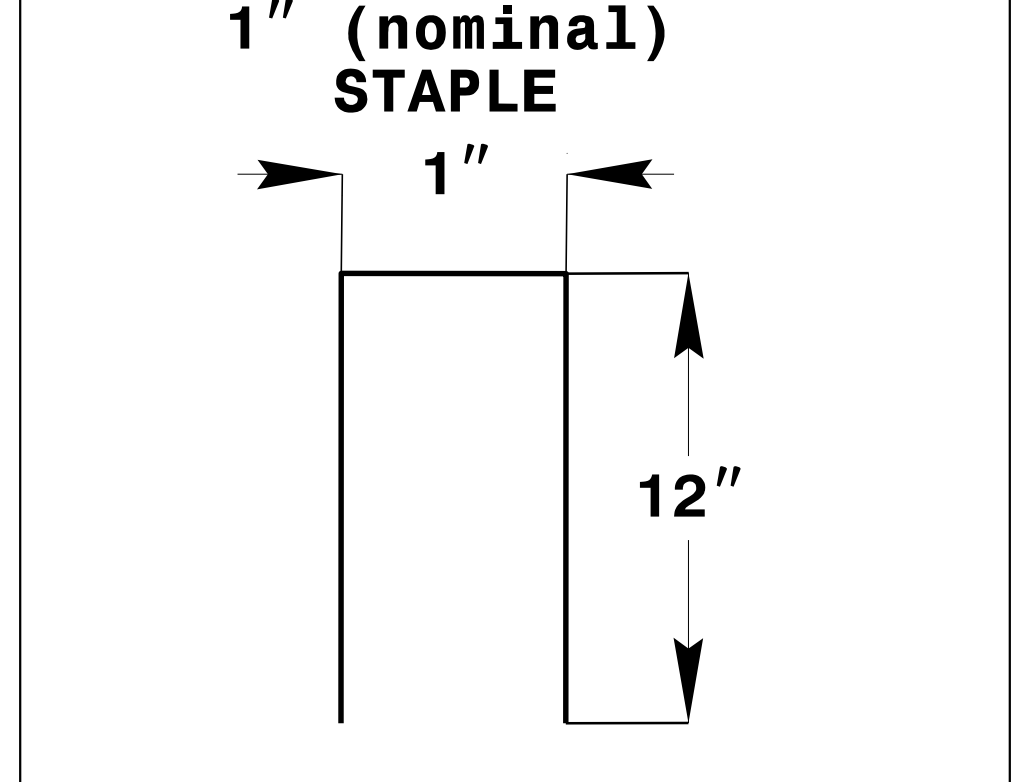
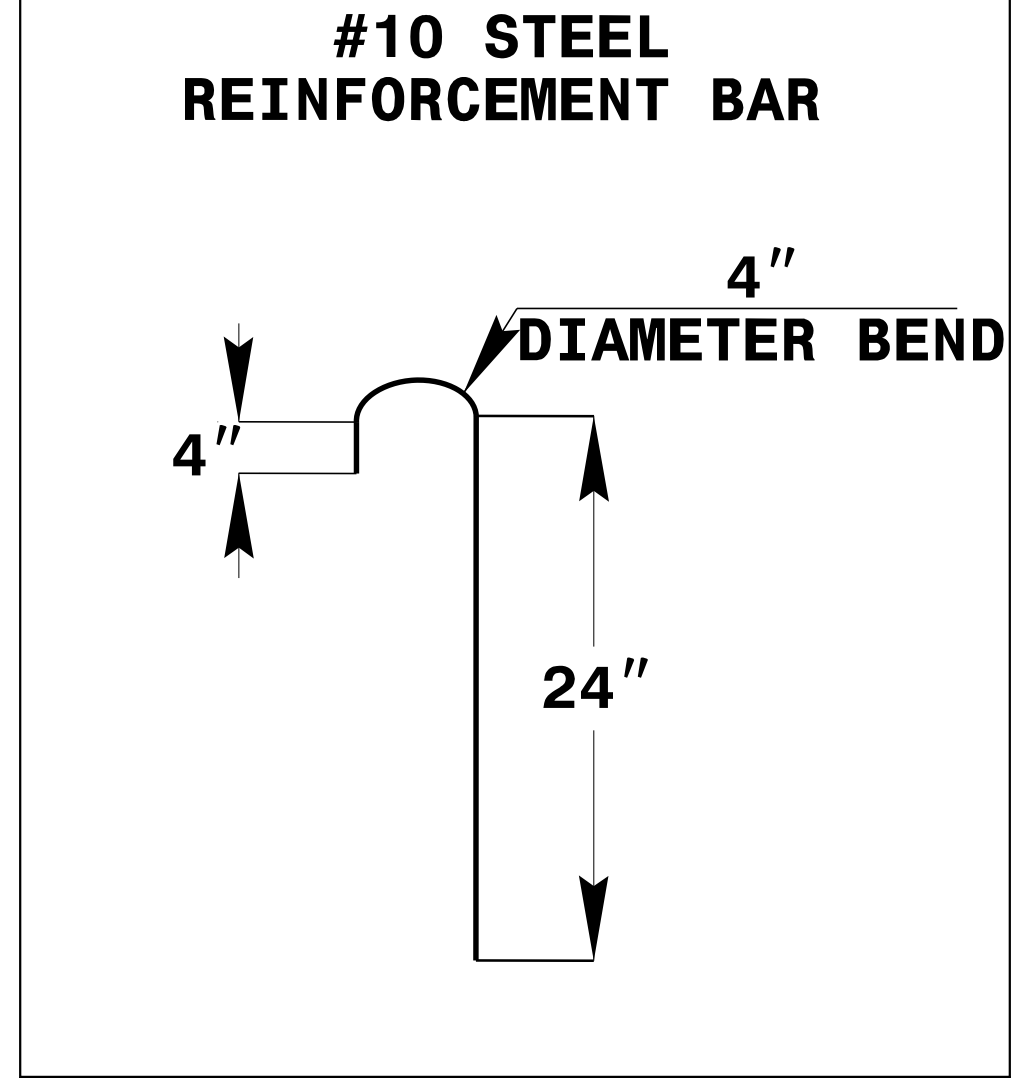
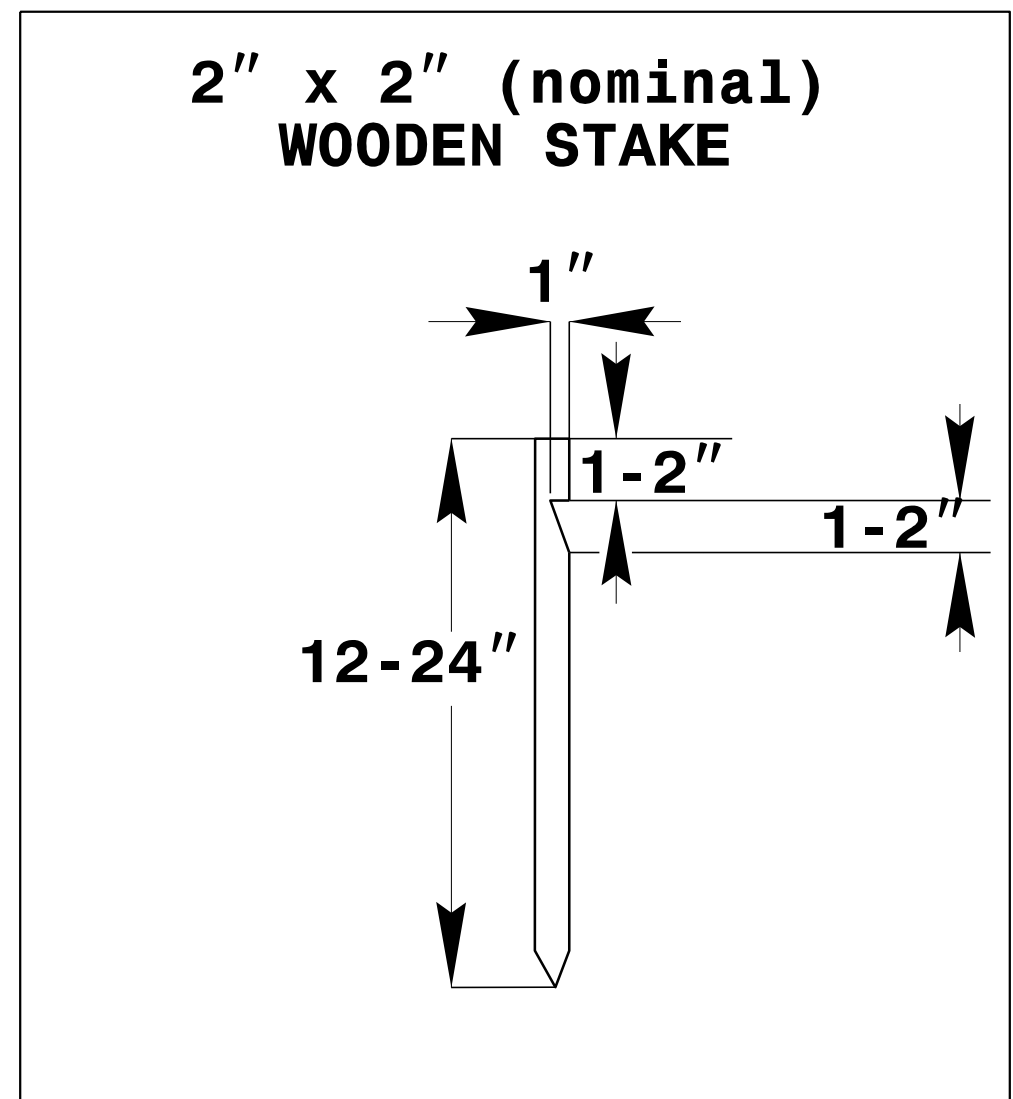
PROJECT REFERENCE NO.	SHEET NO.
1-4729A	STRM 07A
RW SHEET NO.	
ROADWAY DESIGN ENGINEER	HYDRAULICS ENGINEER



PLAN VIEW



TYPICAL CROSS SECTION



ANCHOR OPTIONS

COIR FIBER MATTING DETAIL

NOT TO SCALE

STREAMBANK REFORESTATION

8/17/99

REVISIONS

P:\10\2017
P\4729A_Hyd_PSH_Strm_07A.dgn
10/26/17