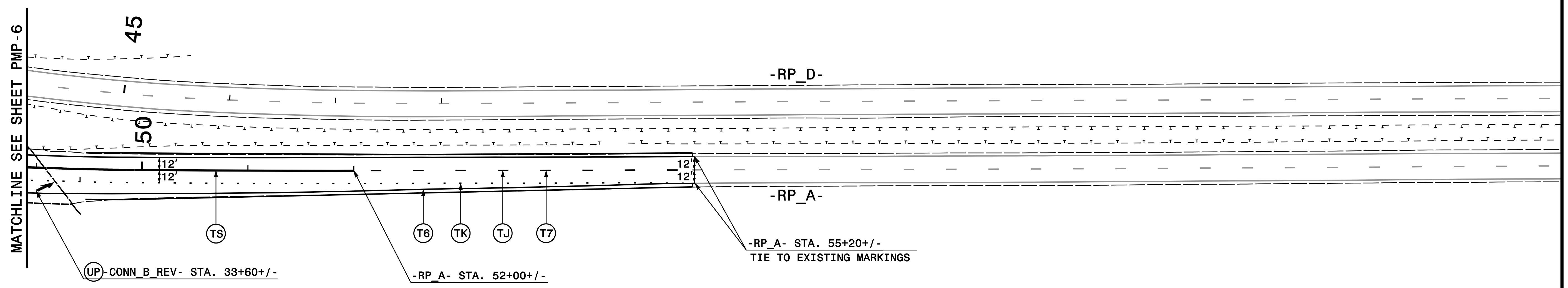
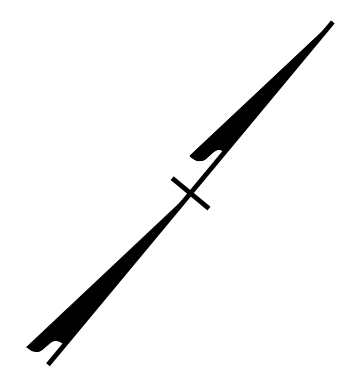


DOCUMENT NOT CONSIDERED FINAL
 UNLESS ALL SIGNATURES COMPLETED



FINAL PAVEMENT MARKINGS