

-EL- STA. 26+15+/-
TIE TO EXISTING MARKINGS

-EL- STA. 28+50+/-

-EL- STA. 29+50+/-
BEGIN PORTABLE CONCRETE BARRIER

-RP_B-

-EL- (I-26)

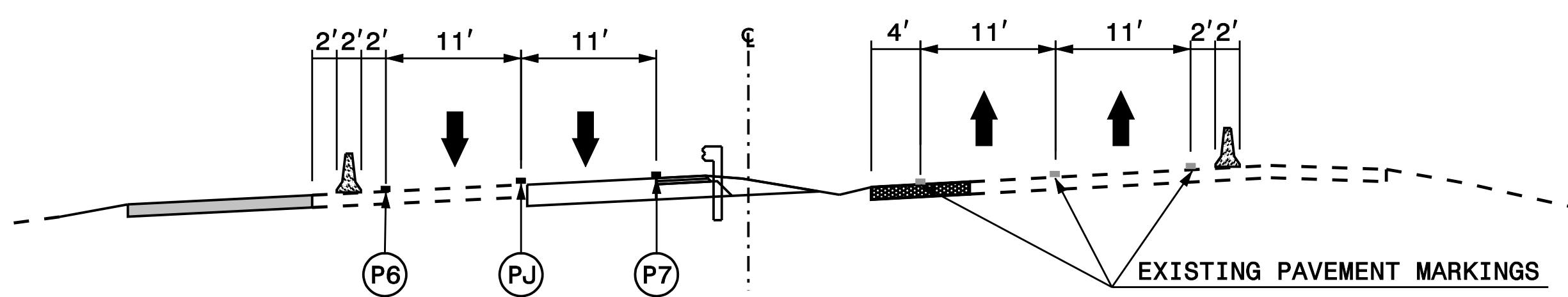
-EL- (I-26)

-RP_C-

PORTABLE
CONCRETE
BARRIER

TEMPORARY CRASH CUSHION

-EL- STA. 37+85+/-
BEGIN PORTABLE CONCRETE BARRIER



SECTION I-I

NOTE:
ALL PAVEMENT MARKINGS ARE EXISTING
MARKINGS UNLESS OTHERWISE NOTED

DOCUMENT NOT CONSIDERED FINAL
UNLESS ALL SIGNATURES COMPLETED

PROGRESSIVE
DESIGN GROUP, INC.
ENGINEERS • CONSULTANTS

APPROVED: *Tommy* DATE: 8/7/2017

SEAL

TEMPORARY TRAFFIC CONTROL
I-26/NC 108
PHASE IIA DETAILS

MATCHLINE SEE SHEET TMP-14