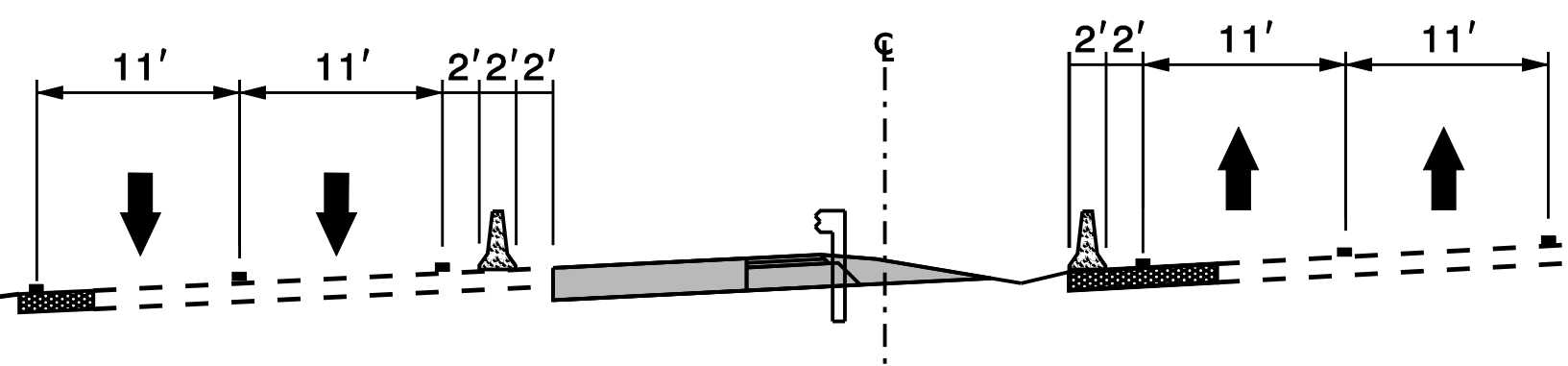


MATCHLINE SEE SHEET TMP-8



SECTION B-B

NOTE:  
ALL PAVEMENT MARKINGS ARE EXISTING  
MARKINGS UNLESS OTHERWISE NOTED

DOCUMENT NOT CONSIDERED FINAL  
UNLESS ALL SIGNATURES COMPLETED

**PROGRESSIVE**  
DESIGN GROUP, INC.  
ENGINEERS • CONSULTANTS

APPROVED: *Tommy* DATE: 8/7/2017

SEAL

**TEMPORARY TRAFFIC CONTROL**  
I-26/NC 108  
PHASE IB DETAILS