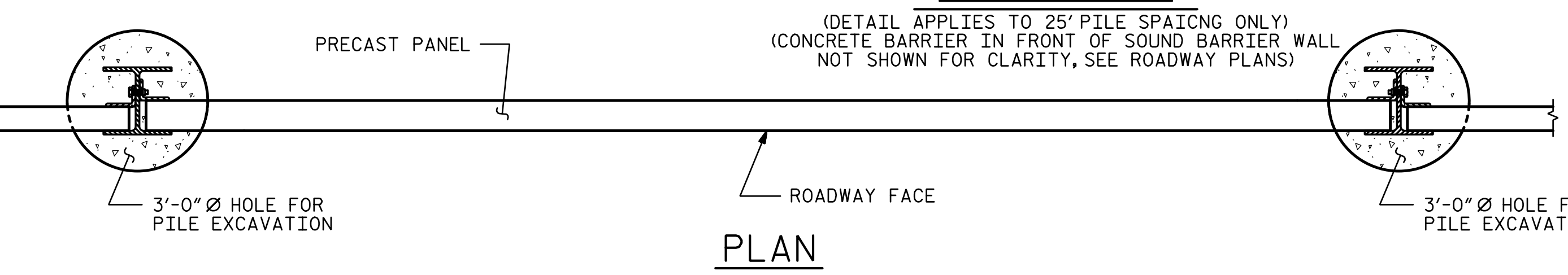
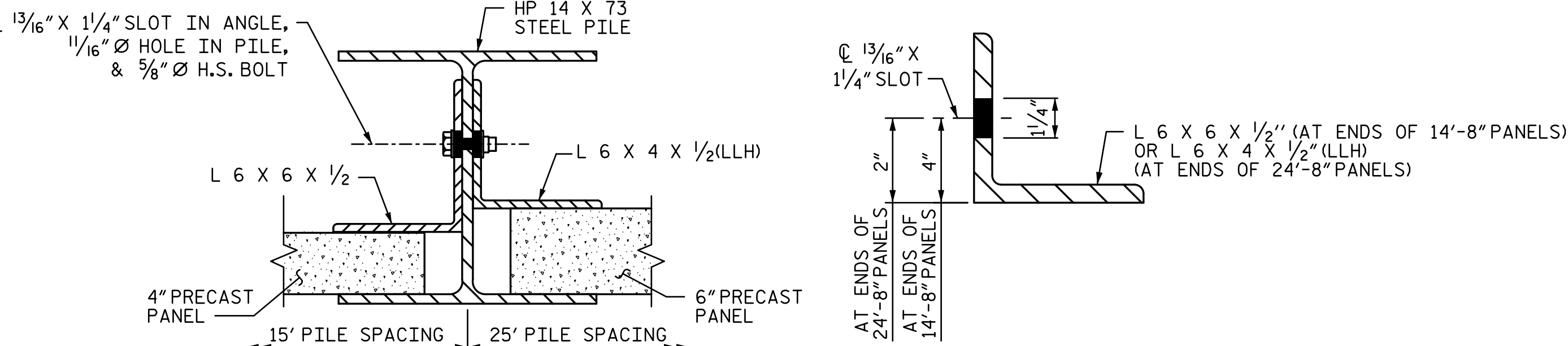


ELEVATION
(DETAIL APPLIES TO 25' PILE SPACING ONLY)
(CONCRETE BARRIER IN FRONT OF SOUND BARRIER WALL NOT SHOWN FOR CLARITY, SEE ROADWAY PLANS)



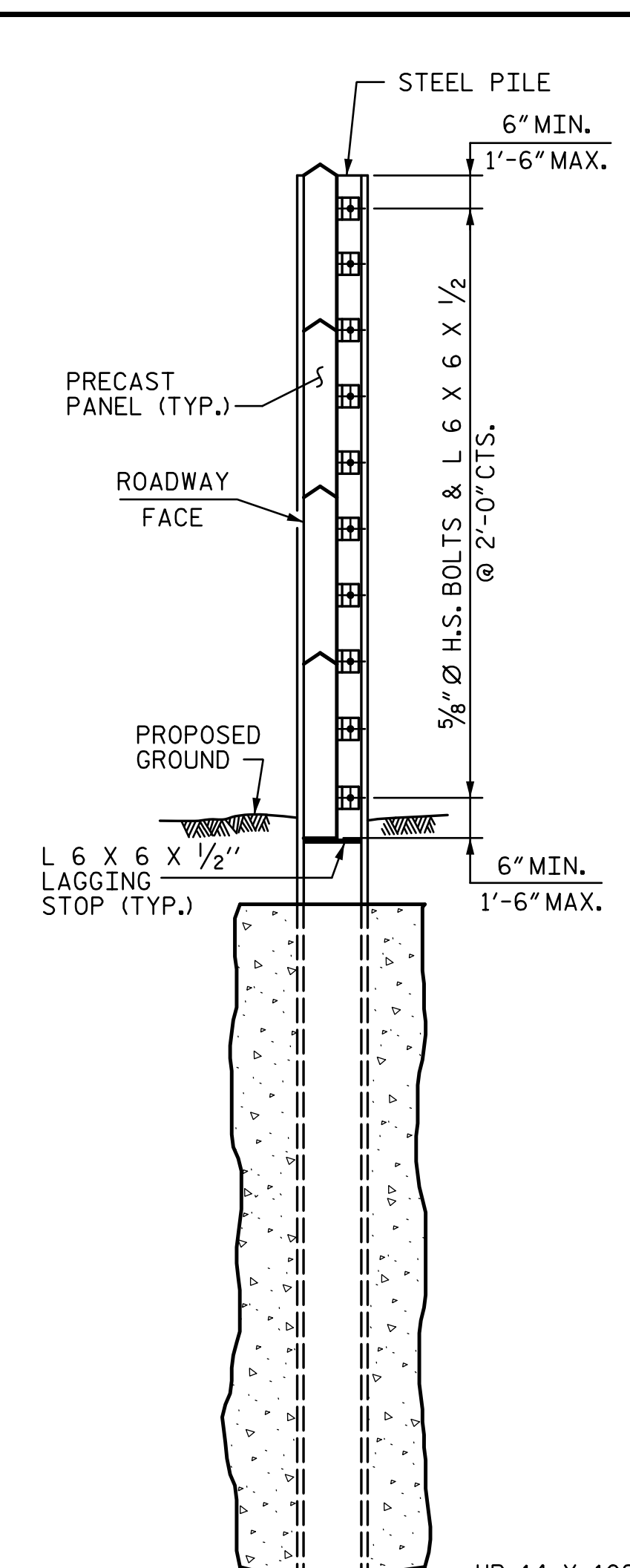
PLAN
(DETAIL APPLIES TO 25' PILE SPACING ONLY)
(CONCRETE BARRIER IN FRONT OF SOUND BARRIER WALL NOT SHOWN FOR CLARITY, SEE ROADWAY PLANS)



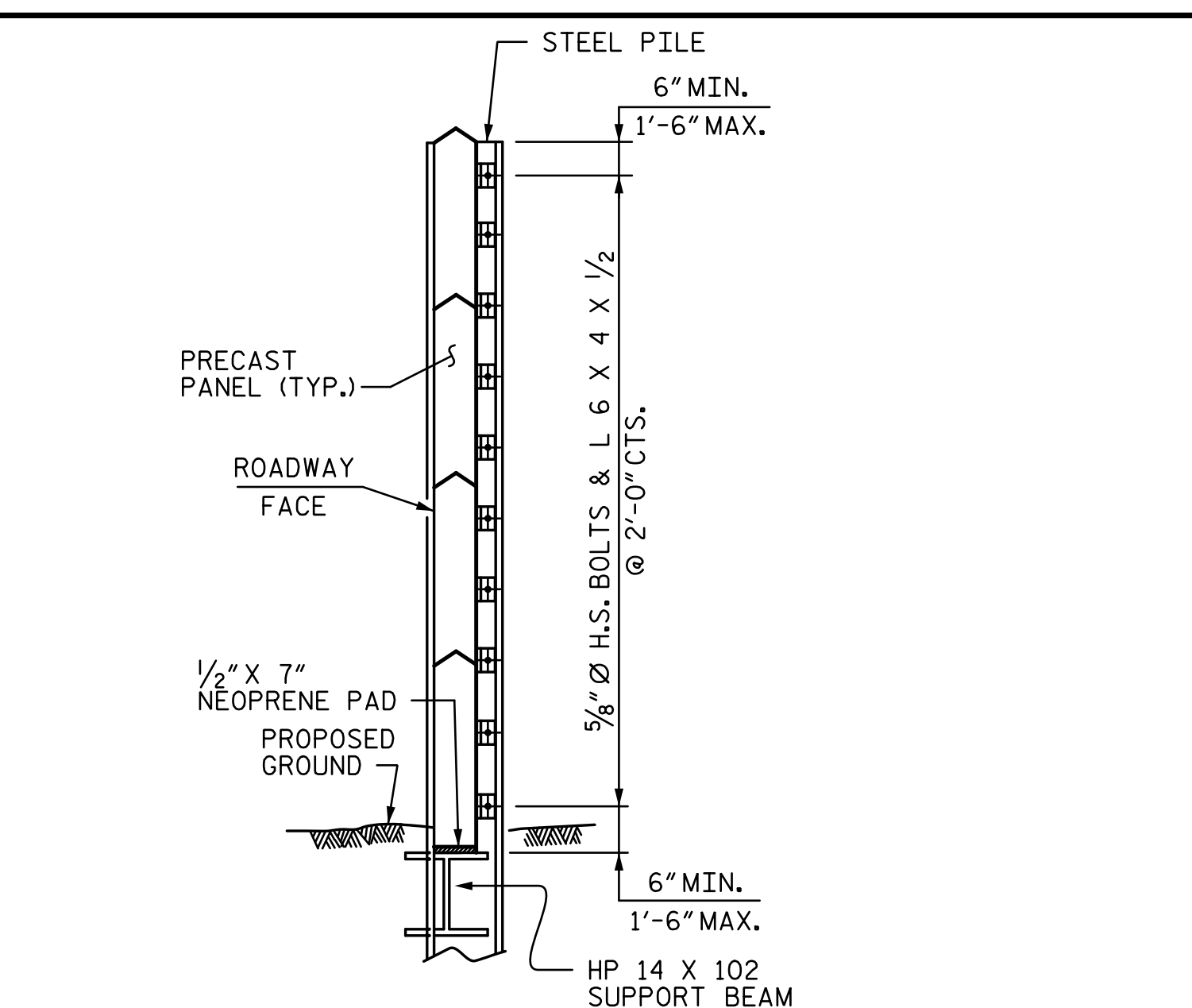
CONNECTION DETAIL



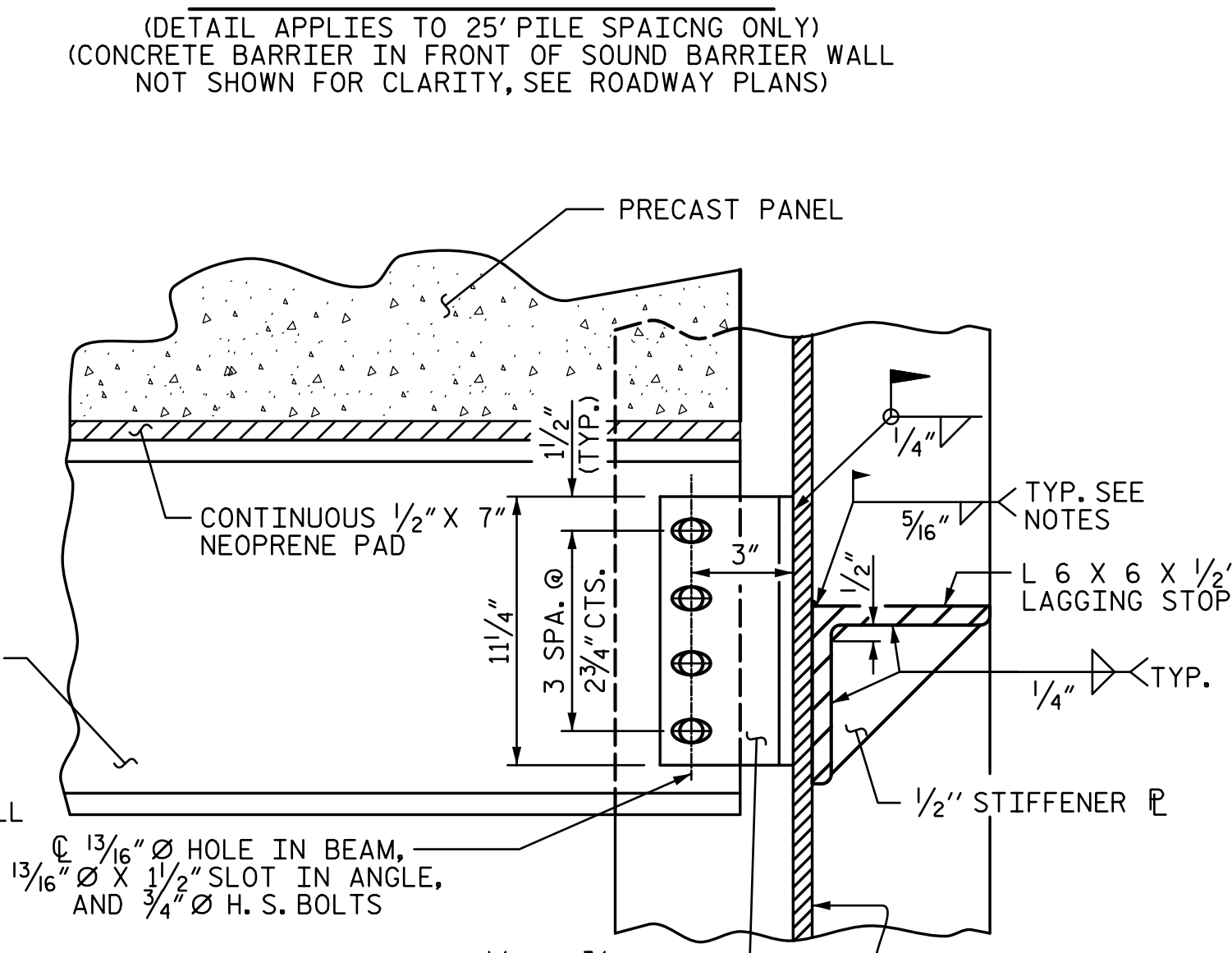
ANGLE DETAIL



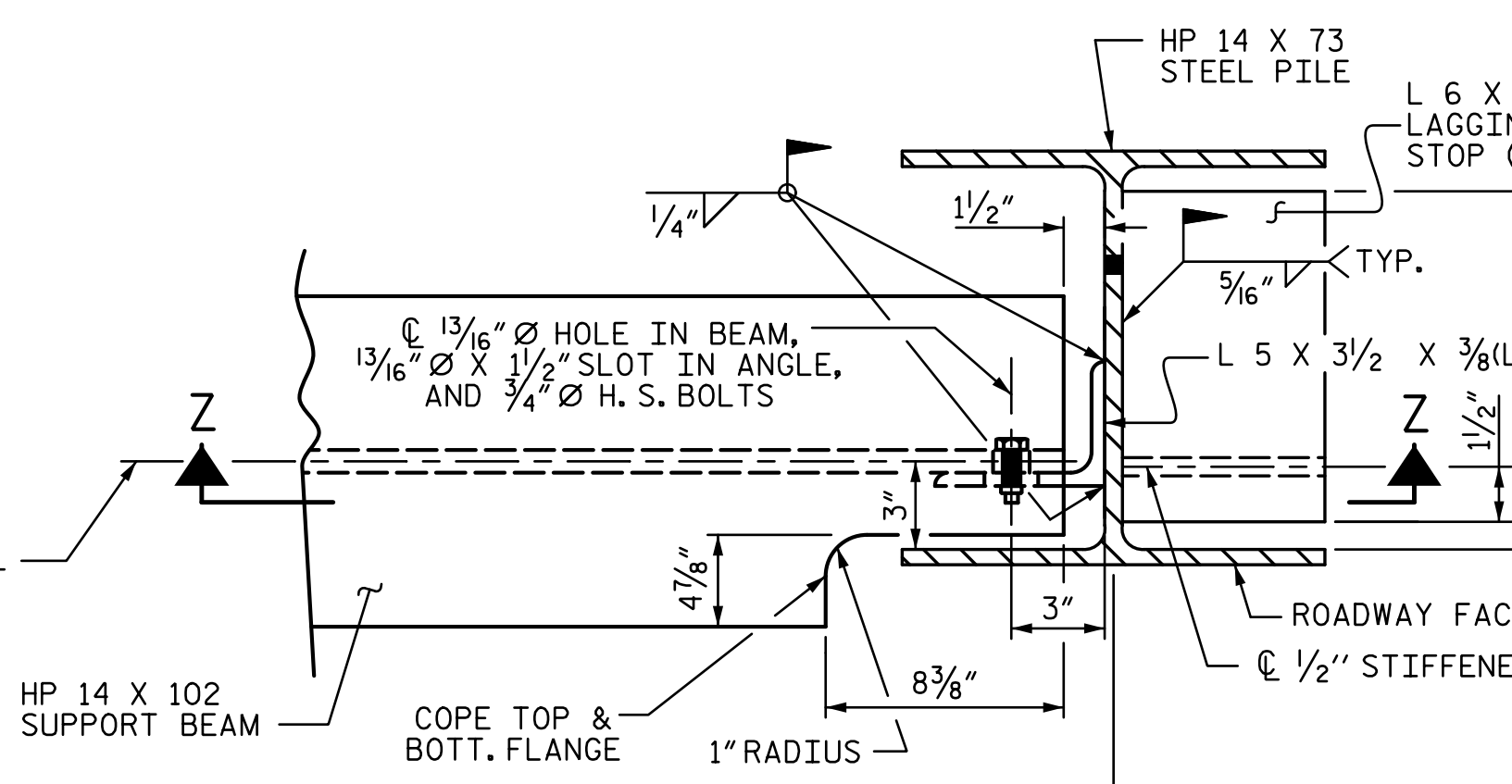
SECTION B-B
(DETAIL APPLIES TO 25' PILE SPACING ONLY)
(CONCRETE BARRIER IN FRONT OF SOUND BARRIER WALL NOT SHOWN FOR CLARITY, SEE ROADWAY PLANS)



SECTION C-C
(DETAIL APPLIES TO 25' PILE SPACING ONLY)
(CONCRETE BARRIER IN FRONT OF SOUND BARRIER WALL NOT SHOWN FOR CLARITY, SEE ROADWAY PLANS)



SECTION Z-Z
(DETAIL APPLIES TO 25' PILE SPACING ONLY)
(CONCRETE BARRIER IN FRONT OF SOUND BARRIER WALL NOT SHOWN FOR CLARITY, SEE ROADWAY PLANS)



SECTION E-E
NOTE: PRECAST PANELS NOT SHOWN FOR CLARITY.

PROJECT NO. U-4751
NEW HANOVER COUNTY
STATION: 129+24.09 -L- =
10+00.00 -NW14-
SHEET 2 OF 2

DOCUMENT NOT CONSIDERED FINAL
UNLESS ALL SIGNATURES COMPLETED

STV 100 years
STV ENGINEERS, INC.
900 West Trade St., Suite 715
Charlotte, NC 28202
NC License Number F-5991

STATE OF NORTH CAROLINA DEPARTMENT OF TRANSPORTATION RALEIGH					
SOUND BARRIER WALL NO. -NW14-					
REVISIONS					
NO.	BY:	DATE:	NO.	BY:	DATE:
1			3		
2			4		
					SHEET NO. NW-14 TOTAL SHEETS 17

R:\Noisewalls\NW 14\20_003_14751_SML_NW_002_640014.dgn 3:04:14 PM 8/17/2017 ch11kmb