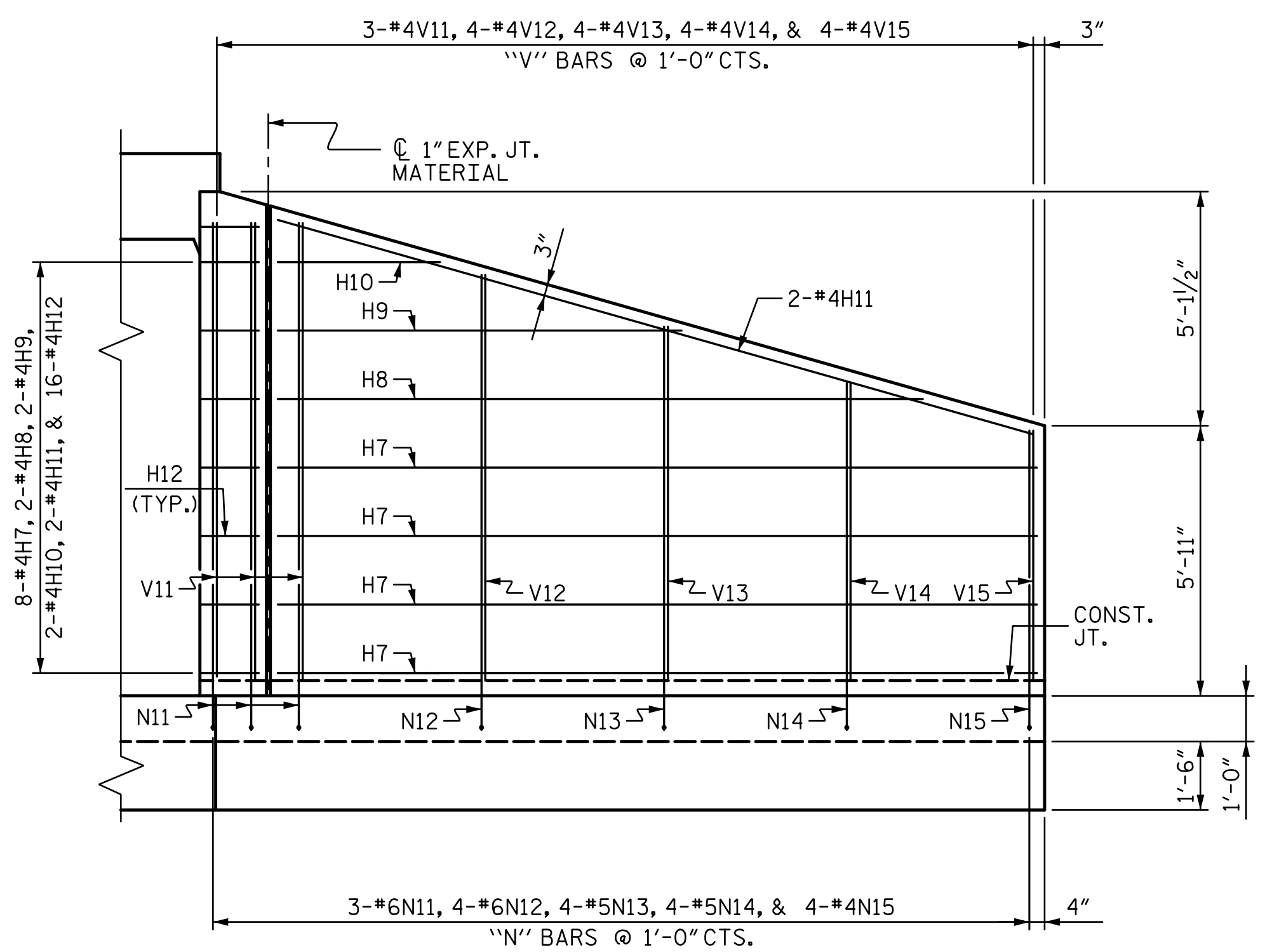
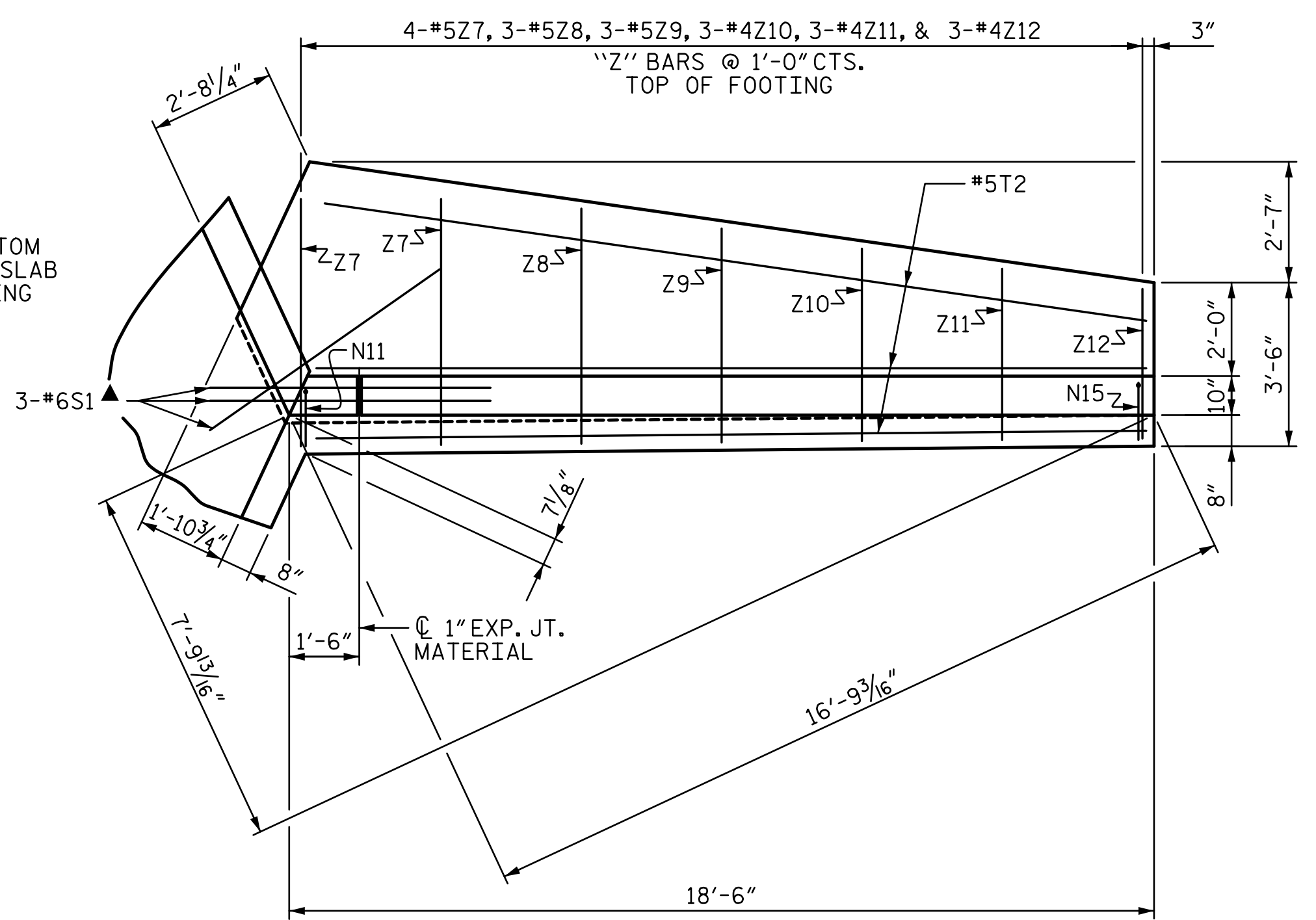


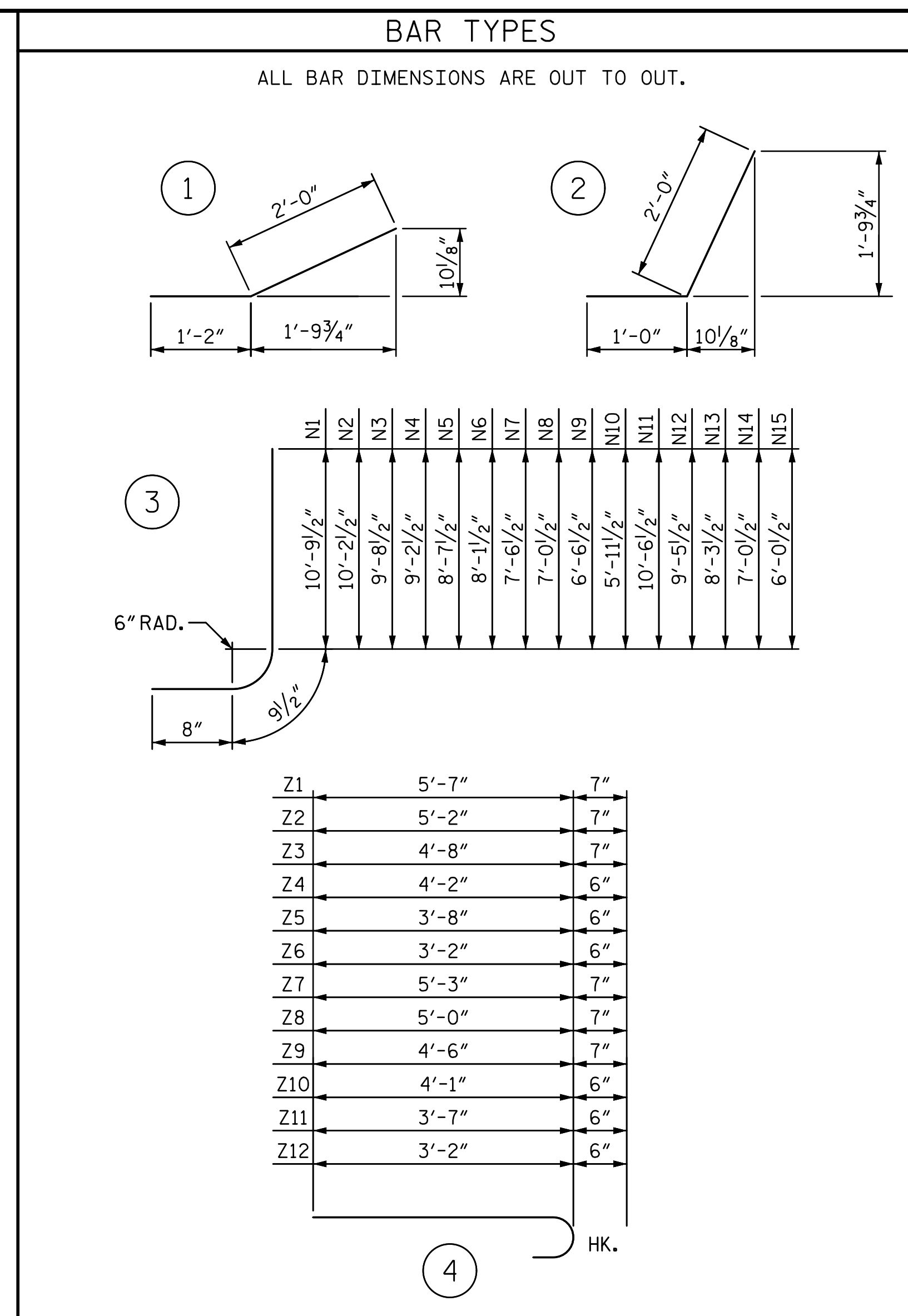
I:\Projects\4016617\_000\50\_Deliverables & Submittals\U-4751\Structures\Culverts\CU #3\410\_013\_14751\_SMU\_CU\_007\_640003.dgn  
 7/11/2017 3:30:24 PM bcurry



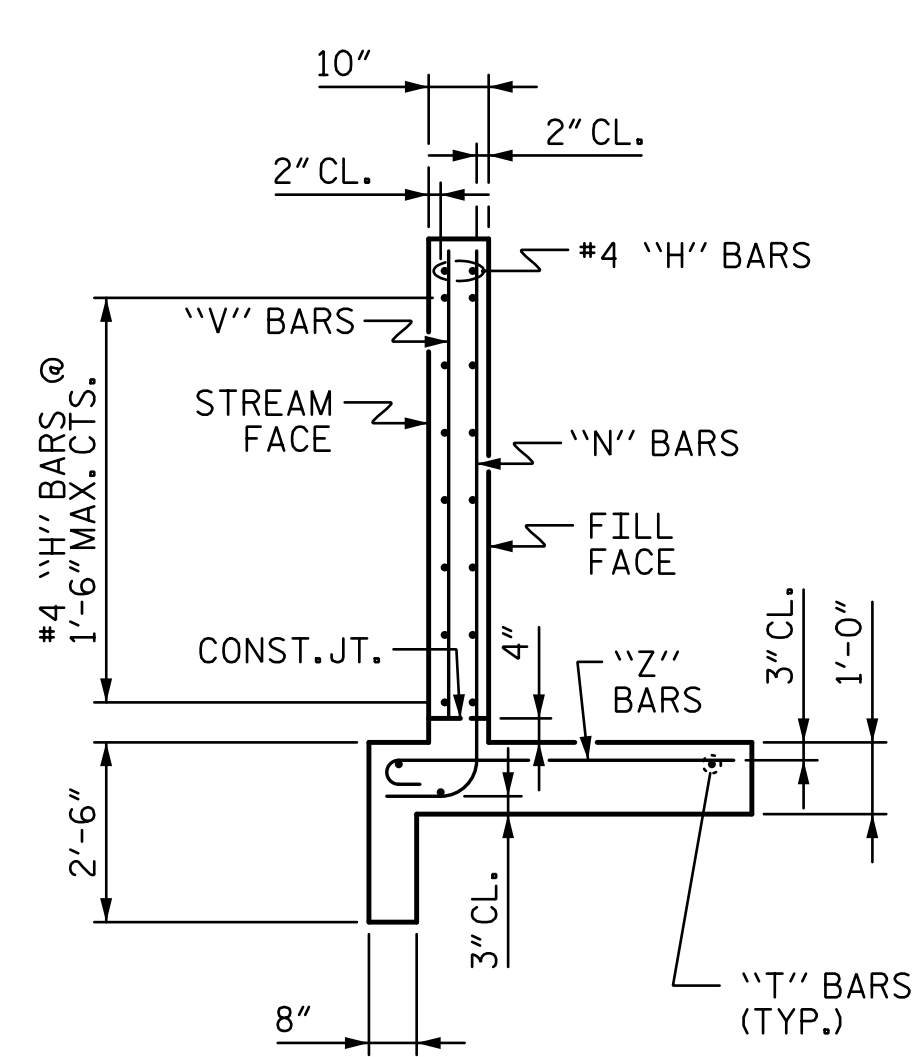
ELEVATION W2



PLAN W2



TYPICAL WING SECTION



BILL OF MATERIAL						BILL OF MATERIAL					
MARK	NO.	SIZE	TYPE	LENGTH	WEIGHT	MARK	NO.	SIZE	TYPE	LENGTH	WEIGHT
H1	16	#5	STR	37'-10"	631	V1	8	#4	STR	10'-2"	54
H2	4	#5	STR	32'-4"	135	V2	8	#4	STR	9'-8"	52
H3	4	#4	STR	20'-11"	56	V3	8	#4	STR	9'-1"	49
H4	4	#4	STR	9'-7"	26	V4	8	#4	STR	8'-7"	46
H5	4	#5	STR	38'-2"	159	V5	8	#4	STR	8'-1"	43
H6	32	#4	①	3'-2"	68	V6	8	#4	STR	7'-6"	40
H7	16	#4	STR	15'-10"	169	V7	8	#4	STR	7'-0"	37
H8	4	#4	STR	14'-1"	38	V8	8	#4	STR	6'-6"	35
H9	4	#4	STR	8'-10"	24	V9	8	#4	STR	5'-11"	32
H10	4	#4	STR	3'-6"	9	V10	8	#4	STR	5'-5"	29
H11	4	#4	STR	17'-2"	46	V11	6	#4	STR	10'-0"	40
H12	32	#4	②	3'-0"	64	V12	8	#4	STR	8'-10"	47
N1	8	#6	③	12'-3"	147	V13	8	#4	STR	7'-9"	41
N2	8	#6	③	11'-8"	140	V14	8	#4	STR	6'-6"	35
N3	8	#6	③	11'-2"	134	V15	8	#4	STR	5'-5"	29
N4	8	#6	③	10'-8"	128	Z1	10	#5	④	6'-2"	64
N5	8	#6	③	10'-1"	121	Z2	14	#5	④	5'-9"	84
N6	8	#5	③	9'-7"	80	Z3	14	#5	④	5'-3"	77
N7	8	#5	③	9'-0"	75	Z4	14	#4	④	4'-8"	44
N8	8	#5	③	8'-6"	71	Z5	14	#4	④	4'-2"	39
N9	8	#4	③	8'-0"	43	Z6	14	#4	④	3'-8"	34
N10	8	#4	③	7'-5"	40	Z7	8	#5	④	5'-10"	49
N11	6	#6	③	12'-0"	108	Z8	6	#5	④	5'-7"	35
N12	8	#6	③	10'-11"	131	Z9	6	#5	④	5'-1"	32
N13	8	#5	③	9'-9"	81	Z10	6	#4	④	4'-7"	18
N14	8	#5	③	8'-6"	71	Z11	6	#4	④	4'-1"	16
N15	8	#4	③	7'-6"	40	Z12	6	#4	④	3'-8"	15
S1	12	#6	STR	6'-0"	108	REINFORCING STEEL FOR 4 WINGS 4,419 LBS					
T1	6	#5	STR	39'-9"	249	CLASS A CONCRETE 28.9 CY					
T2	6	#5	STR	17'-9"	111	2 HEADWALLS 2.7 CY					
						2 SILLS 1.5 CY					
						2 END CURTAIN WALLS 31.2 CY					
						TOTAL 64.3 CY					

◆ INCLUDES WING FOOTINGS

PROJECT NO. U-4751  
 NEW HANOVER COUNTY  
 STATION: 151+41.00 -L-  
 SHEET 7 OF 7

DOCUMENT NOT CONSIDERED FINAL UNLESS ALL SIGNATURES COMPLETED

STATE OF NORTH CAROLINA  
 DEPARTMENT OF TRANSPORTATION  
 RALEIGH

**WINGS FOR CONCRETE BOX CULVERT**  
 H = 10'-0" SLOPE = 3:1  
 130°-00'-00" SKEW

REVISIONS

NO.	BY:	DATE:	NO.	BY:	DATE:
1			3		
2			4		

SHEET NO. C3-7  
 TOTAL SHEETS 7

DRAWN BY : BMC DATE : 5-17  
 CHECKED BY : MLO DATE : 5-17  
 DESIGN ENGINEER OF RECORD: B. CURRY DATE : 5-17