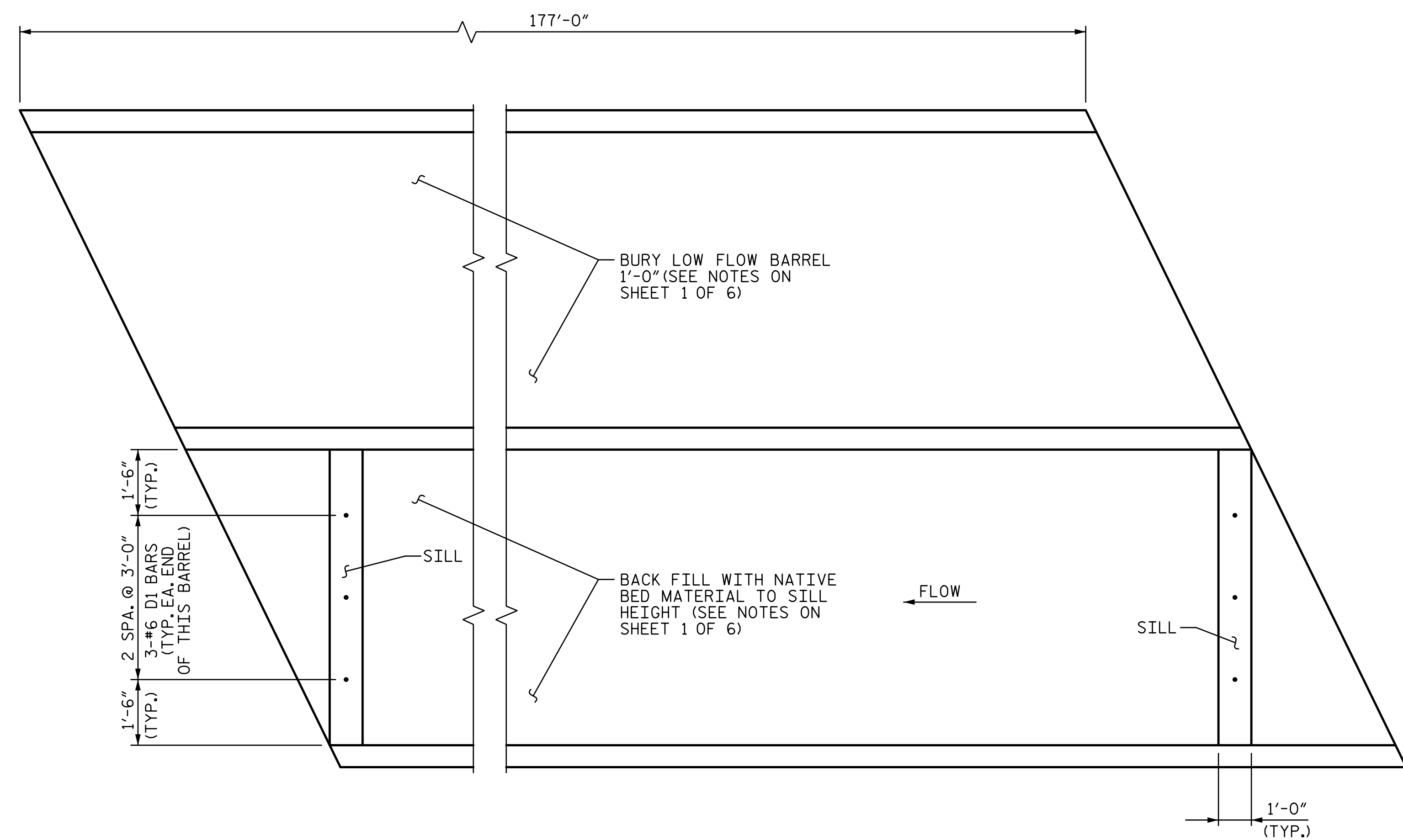
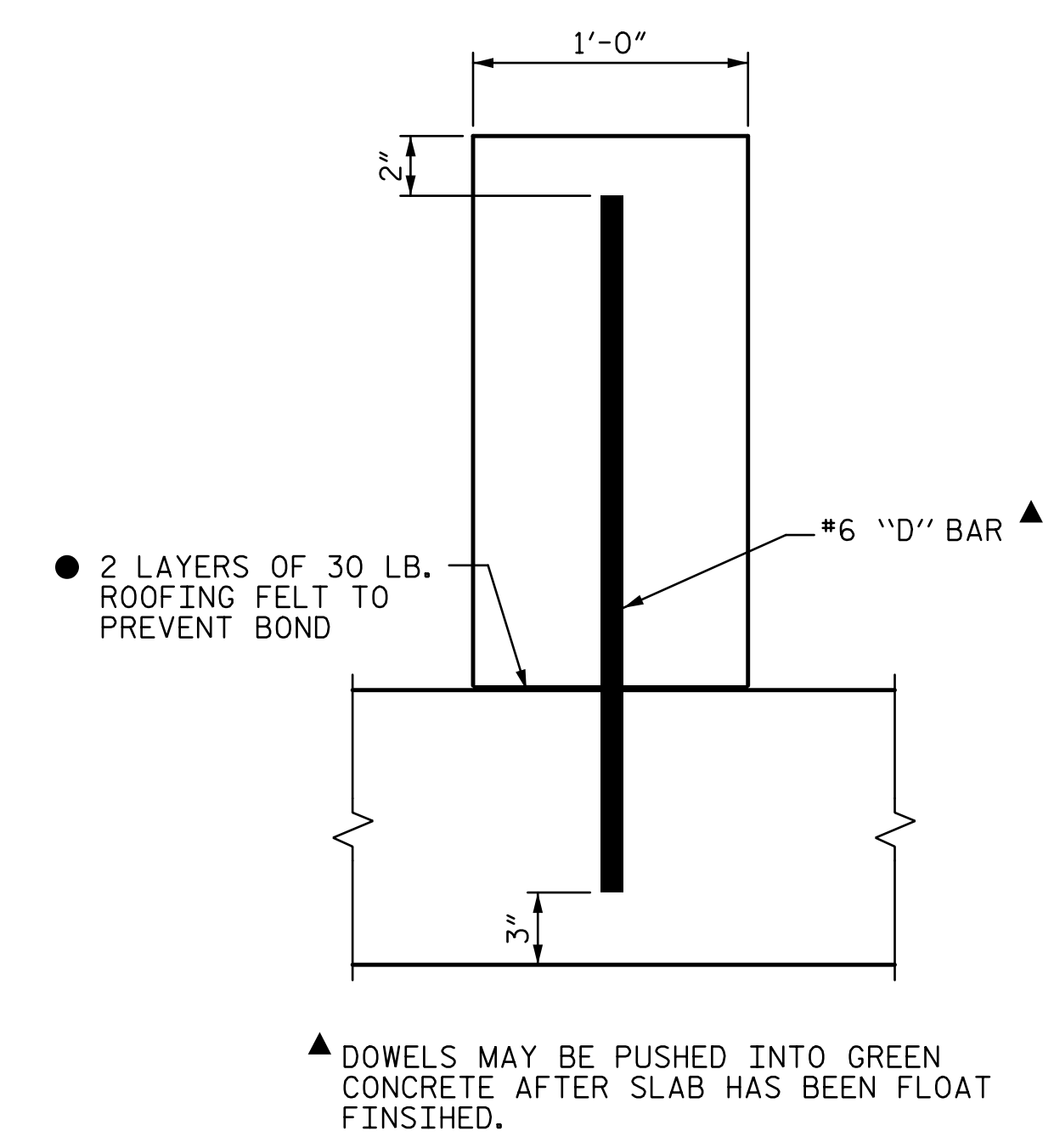


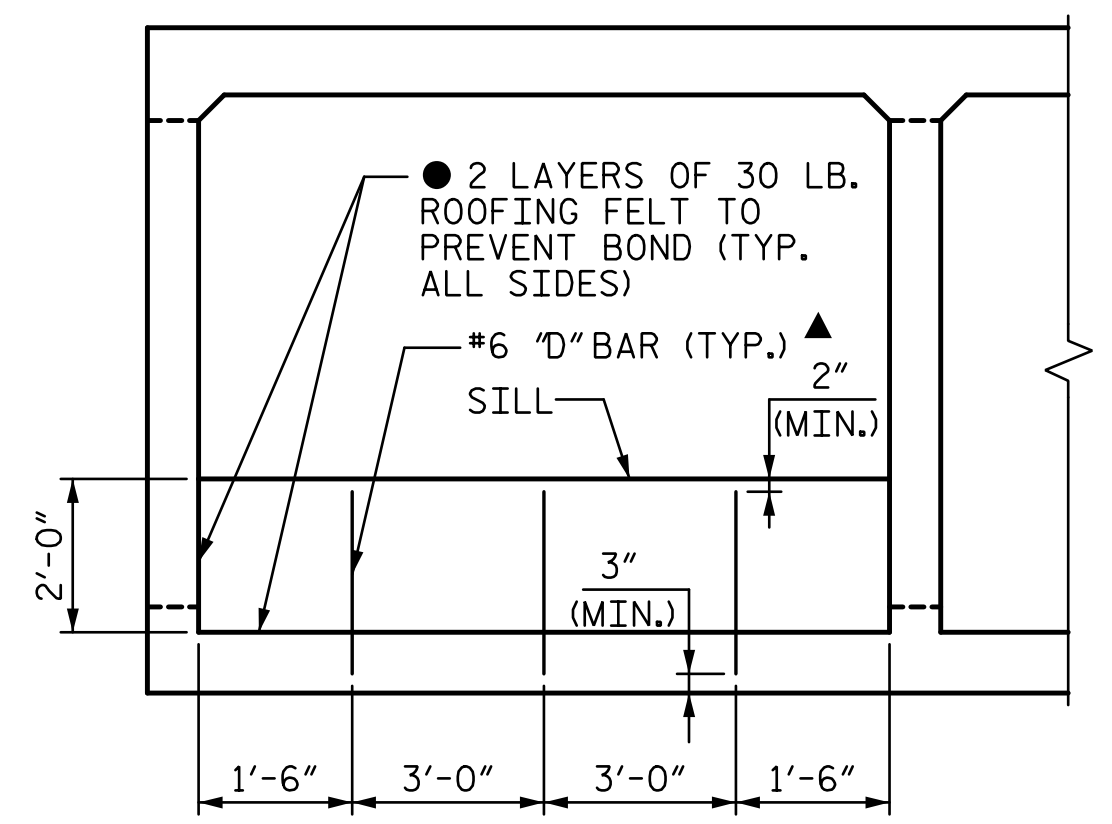
i:\Projects\4016617\4016617\_000\50\_Deliverables & Submittals\U-4751\Structures\Culverts\CUL\_U-4751\_SML\_CU\_005\_640001.dgn  
 3:02:46 PM  
 7/11/2017  
 B. CURRY



PLAN VIEW - LOCATION OF SILLS



SECTION THROUGH SILL



ELEVATION  
(INLET VIEW SHOWN)

● THE COST OF THE ROOFING FELT IS INCIDENTAL AND SHALL BE INCLUDED IN THE VARIOUS PAY ITEMS

PROJECT NO. U-4751  
NEW HANOVER COUNTY  
 STATION: 117+49.00 -L-  
 SHEET 5 OF 6

DOCUMENT NOT CONSIDERED FINAL UNLESS ALL SIGNATURES COMPLETED			STATE OF NORTH CAROLINA DEPARTMENT OF TRANSPORTATION RALEIGH		SHEET NO. C1-5
	<h3>SILL DETAILS</h3>				TOTAL SHEETS 6
	REVISIONS				
NO.	BY:	DATE:	NO.	BY:	DATE:
1			3		
2			4		

DRAWN BY : BMC DATE : 4-17  
 CHECKED BY : MLO DATE : 4-17  
 DESIGN ENGINEER OF RECORD: B. CURRY DATE : 4-17