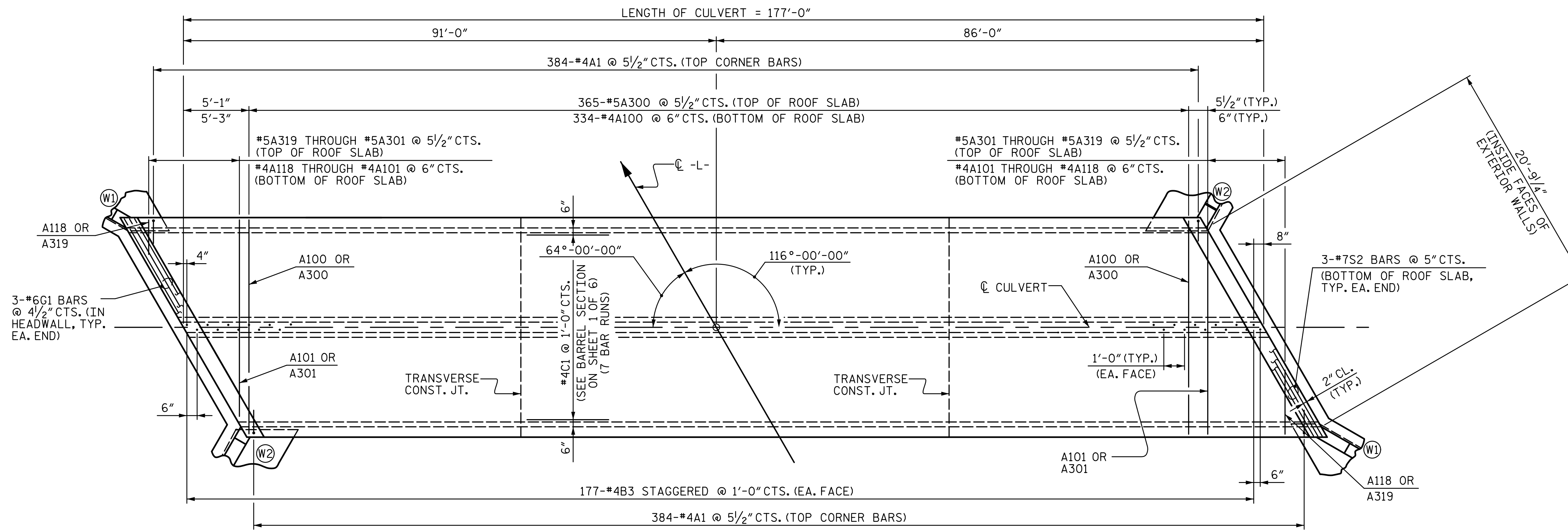
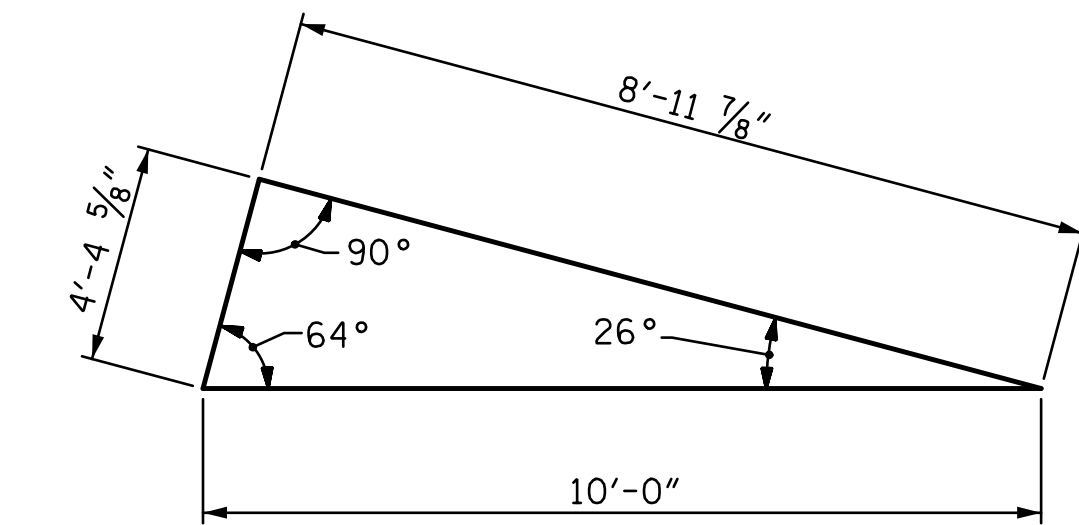


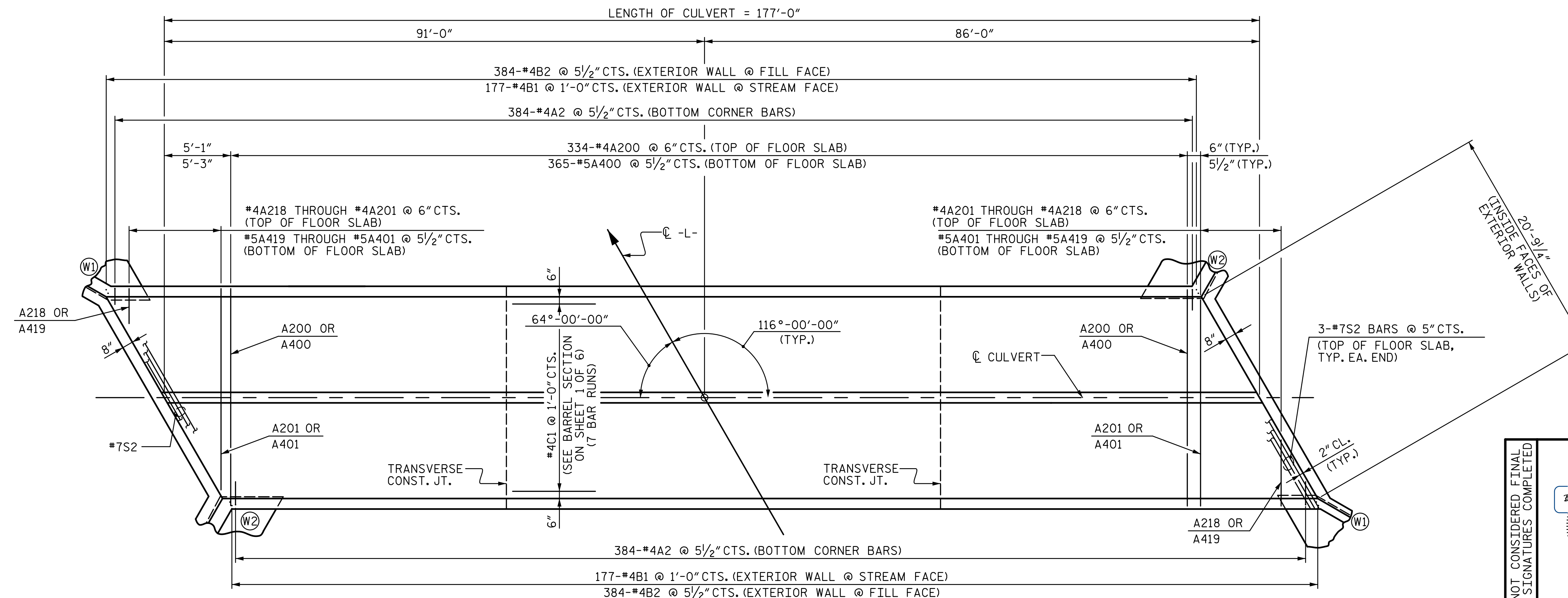
i:\Projects\408667\408667\_000\50\_Deliverables & Submittals\U-4751\Structures\Culverts\CULVERTS\CULVERTS.CU #140\_007\_U4751\_SMU.CL\_004\_640001.dgn 3:02:45 PM 7/11/2017 bcurry



**ROOF PLAN**  
(SEE FLOOR PLAN FOR B1 & B2 BARS IN EXTERIOR WALLS)



**SKEW TRIANGLE**



**FLOOR PLAN**  
(SEE ROOF PLAN FOR B3 BARS IN INTERIOR WALL)  
(SILLS NOT SHOWN, SEE SHEET 5 OF 6)

PROJECT NO. U-4751  
NEW HANOVER COUNTY  
 STATION: 117+49.00 -L-  
 SHEET 4 OF 6

DOCUMENT NOT CONSIDERED FINAL UNLESS ALL SIGNATURES COMPLETED		STATE OF NORTH CAROLINA DEPARTMENT OF TRANSPORTATION RALEIGH		SHEET NO. C1-4																	
		<b>DOUBLE 9'-0" X 7'-0"</b> <b>CONCRETE BOX CULVERT</b> <b>116°-00'-00" SKEW</b>			TOTAL SHEETS 6																
		REVISIONS <table border="1"> <thead> <tr> <th>NO.</th> <th>BY:</th> <th>DATE:</th> <th>NO.</th> <th>BY:</th> <th>DATE:</th> </tr> </thead> <tbody> <tr> <td>1</td> <td></td> <td></td> <td>3</td> <td></td> <td></td> </tr> <tr> <td>2</td> <td></td> <td></td> <td>4</td> <td></td> <td></td> </tr> </tbody> </table>				NO.	BY:	DATE:	NO.	BY:	DATE:	1			3			2			4
NO.	BY:	DATE:	NO.	BY:	DATE:																
1			3																		
2			4																		

DRAWN BY: BMC DATE: 4-17 DESIGN ENGINEER OF RECORD: B. CURRY DATE: 4-17  
 CHECKED BY: MLO DATE: 4-17