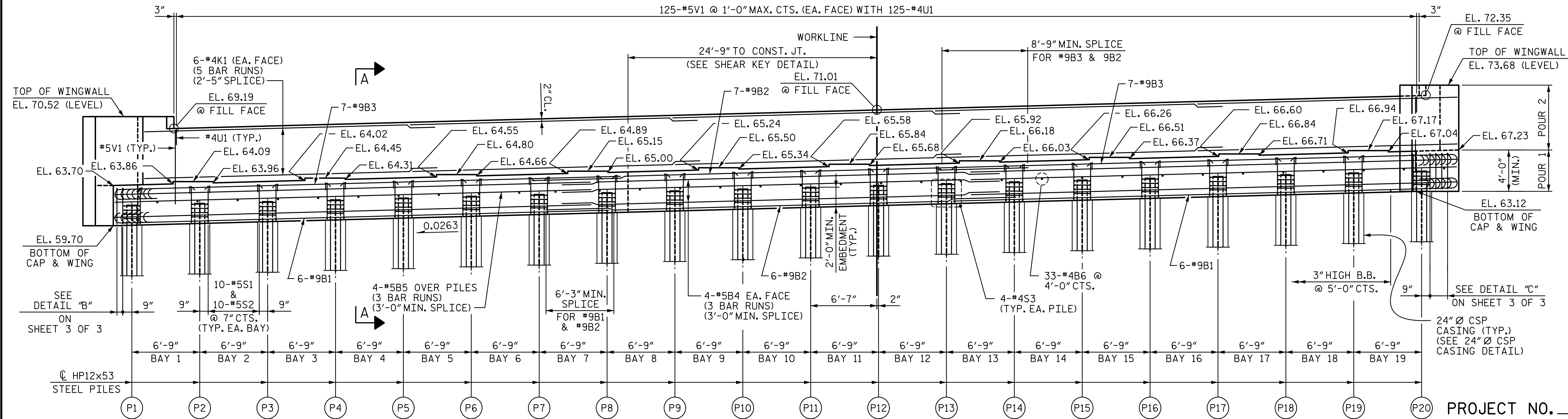


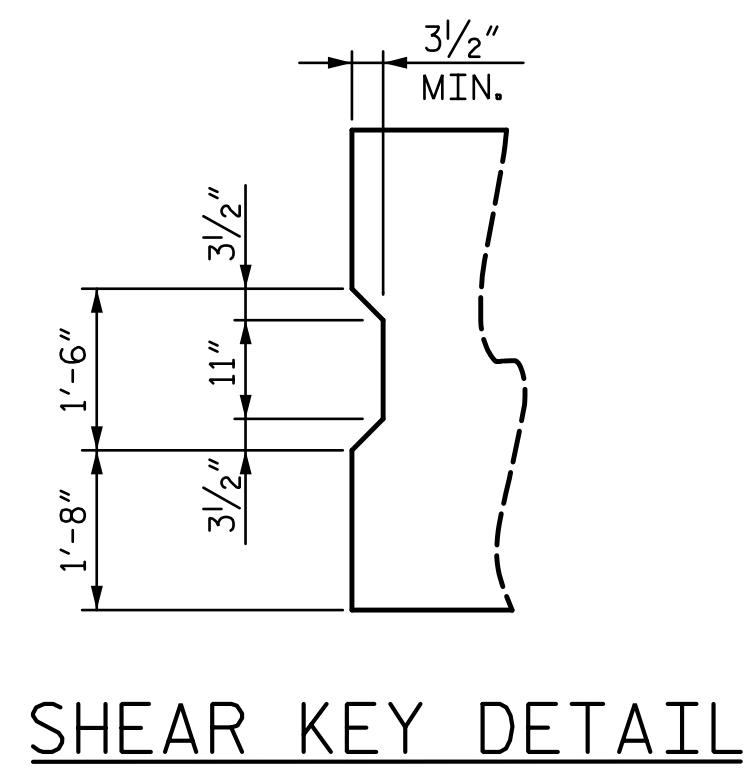
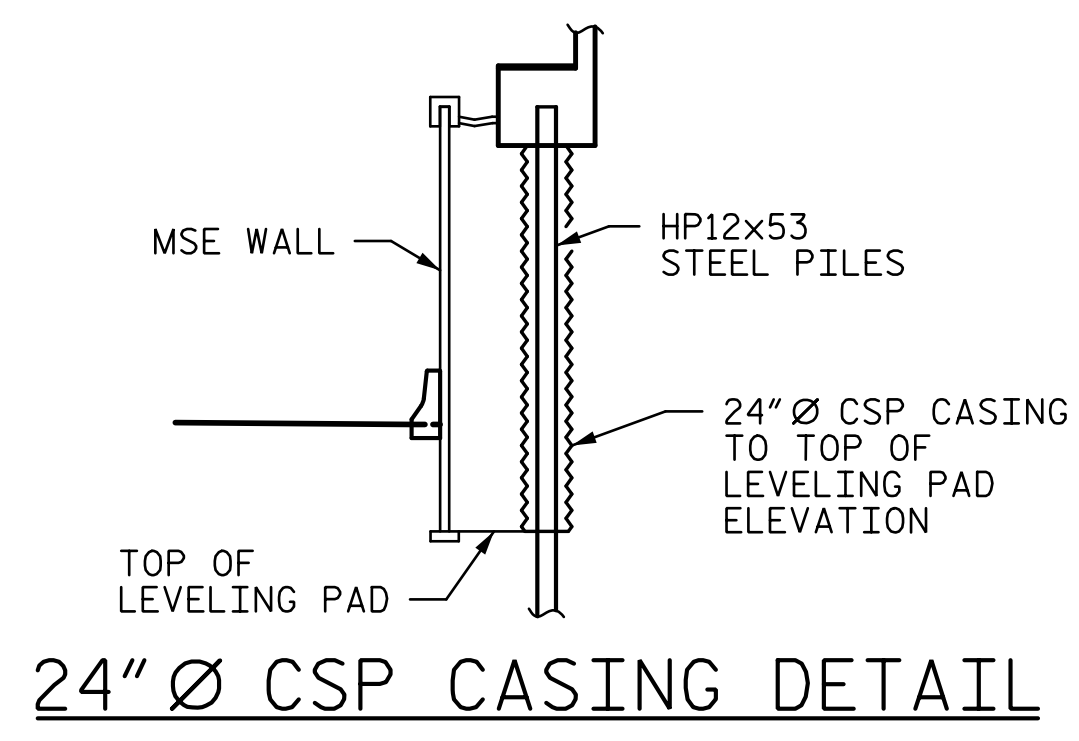
PLAN  
(24" Ø CSP CASING NOT SHOWN FOR CLARITY)



TOP OF PILE ELEVATIONS	
PILE	ELEVATION
P1	61.76
P2	61.94
P3	62.11
P4	62.29
P5	62.47
P6	62.65
P7	62.82
P8	63.00
P9	63.18
P10	63.36
P11	63.53
P12	63.71
P13	63.89
P14	64.07
P15	64.24
P16	64.42
P17	64.60
P18	64.78
P19	64.95
P20	65.13

- NOTES:
1. STIRRUPS IN CAP MAY BE SHIFTED AS NECESSARY TO CLEAR ANCHOR BOLTS.
  2. BACKWALL SHALL BE PLACED BEFORE APPLYING THE EPOXY PROTECTIVE COATING.
  3. THE TOP SURFACE AREAS OF THE END BENT CAP SHALL BE CURED IN ACCORDANCE WITH THE STANDARD SPECIFICATIONS EXCEPT THAT THE MEMBRANE CURING METHOD SHALL NOT BE USED.
  4. THE TOP SURFACE OF THE CAP EXCEPT THE BRIDGE SEAT BUILDUPS SHALL BE SLOPED TRANSVERSELY FROM THE FILL FACE TO THE OUTSIDE FACE AT THE RATE OF 2%.
  5. DIMENSIONS LOCATING PILES ARE SHOWN TO THE CENTERLINE OF THE PILE AT THE BOTTOM OF THE END BENT CAP.
  6. PILE SPLICE SHALL BE IN ACCORDANCE WITH THE STANDARD SPECIFICATIONS AND AWS D1.1.
  7. CONTRACTOR SHALL VERIFY WING WALL LENGTH BASED ON MSE WALL DESIGN AND MODIFY THE WING WALL LENGTH ACCORDINGLY SUCH THAT THE WING WALL AND 1" EXPANSION JOINT MATERIAL IS FLUSH WITH THE BACK OF THE MSE WALL PANEL.

ELEVATION  
(LOOKING IN THE DIRECTION OF STATIONING)



PROJECT NO. U-4751  
NEW HANOVER COUNTY  
STATION: 38+94.20 -L-  
SHEET 1 OF 3

STATE OF NORTH CAROLINA  
DEPARTMENT OF TRANSPORTATION  
RALEIGH

SUBSTRUCTURE  
END BENT 2

REVISIONS

NO.	BY:	DATE:	NO.	BY:	DATE:
1			3		
2			4		

SHEET NO. S1-30  
TOTAL SHEETS 36

STV ENGINEERS, INC.  
900 West Trade St., Suite 715  
Charlotte, NC 28202  
NC License Number F-5991

6/22/2017

R:\401\_059\_U4751-SMJ\_EB2\_030\_640201.dgn  
 3:17:38 PM  
 6/22/2017  
 ch1tkhmb