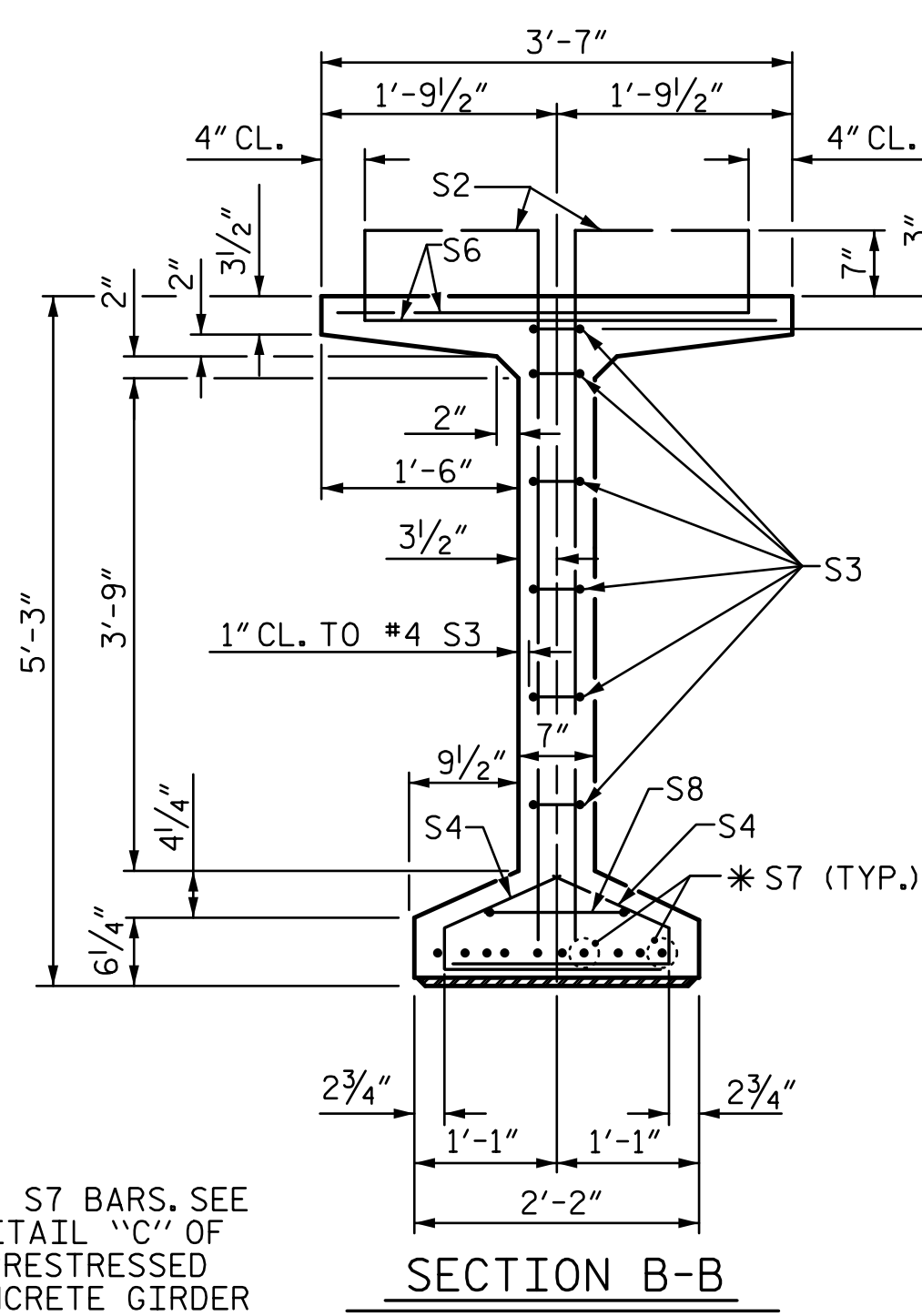
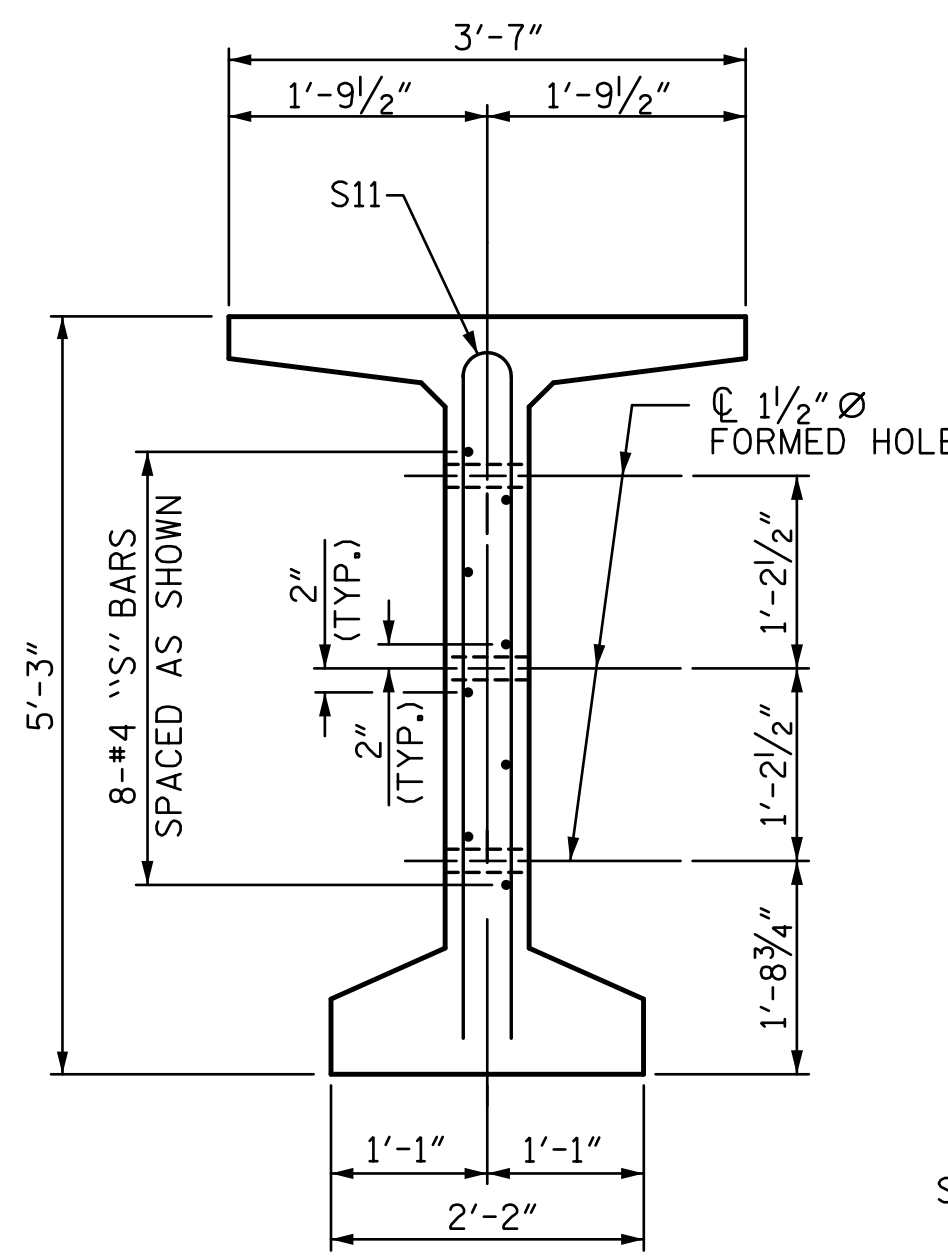


SECTION A-A

\* FOR S7 BARS, SEE  
DETAIL "C" OF  
PRESTRESSED  
CONCRETE GIRDER  
CONTINUOUS FOR LIVE  
LOAD DETAILS SHEET

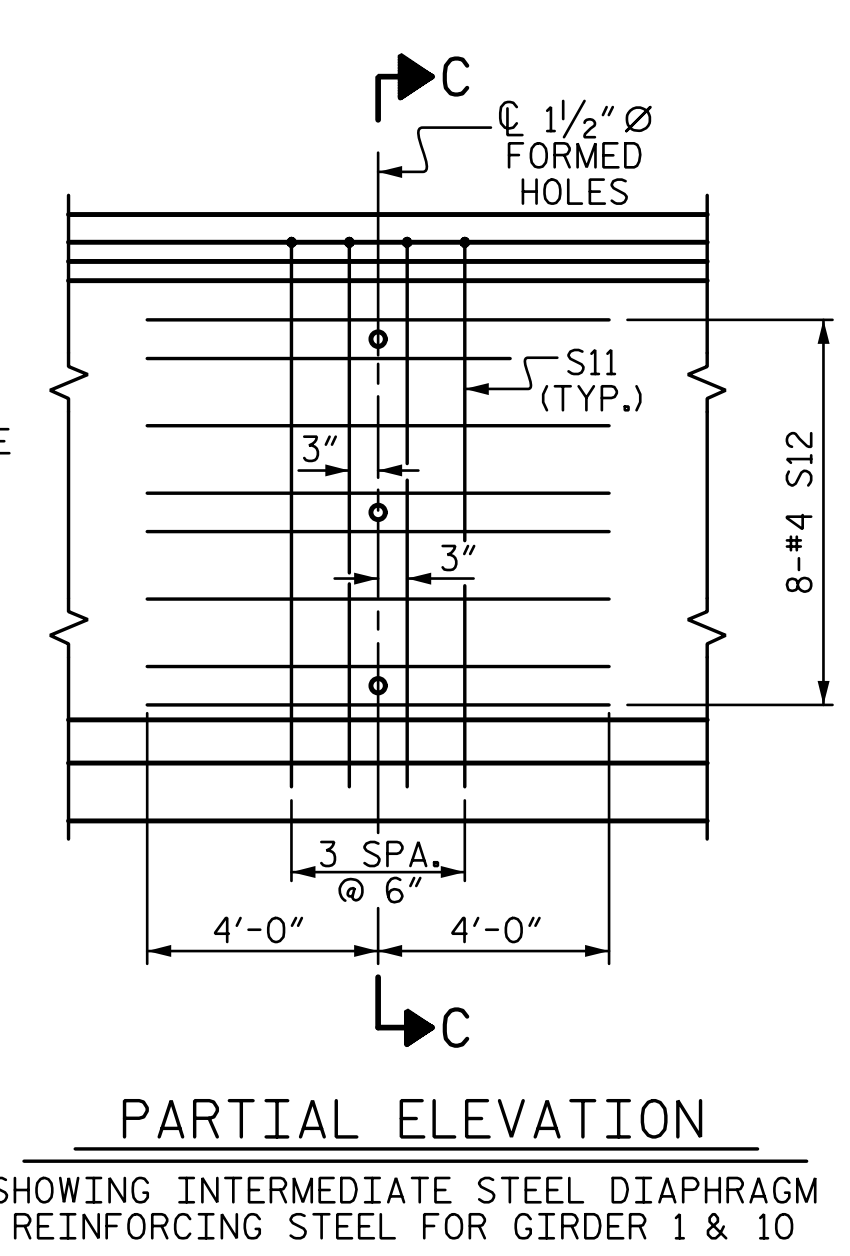


SECTION B-B

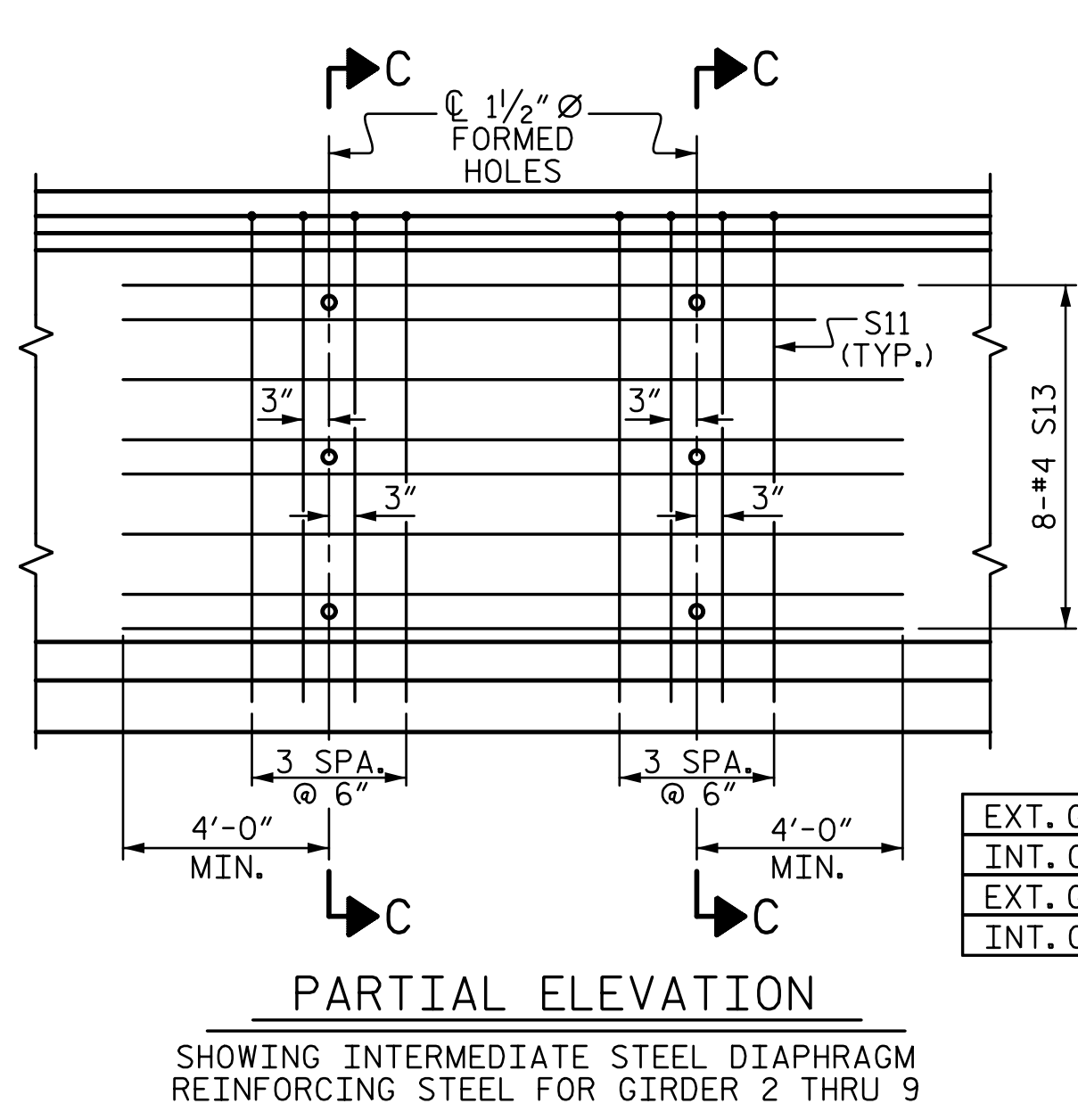


SECTION C-C

(S1, S6 AND S9 BARS NOT SHOWN)



PARTIAL ELEVATION  
SHOWING INTERMEDIATE STEEL DIAPHRAGM  
REINFORCING STEEL FOR GIRDER 1 & 10

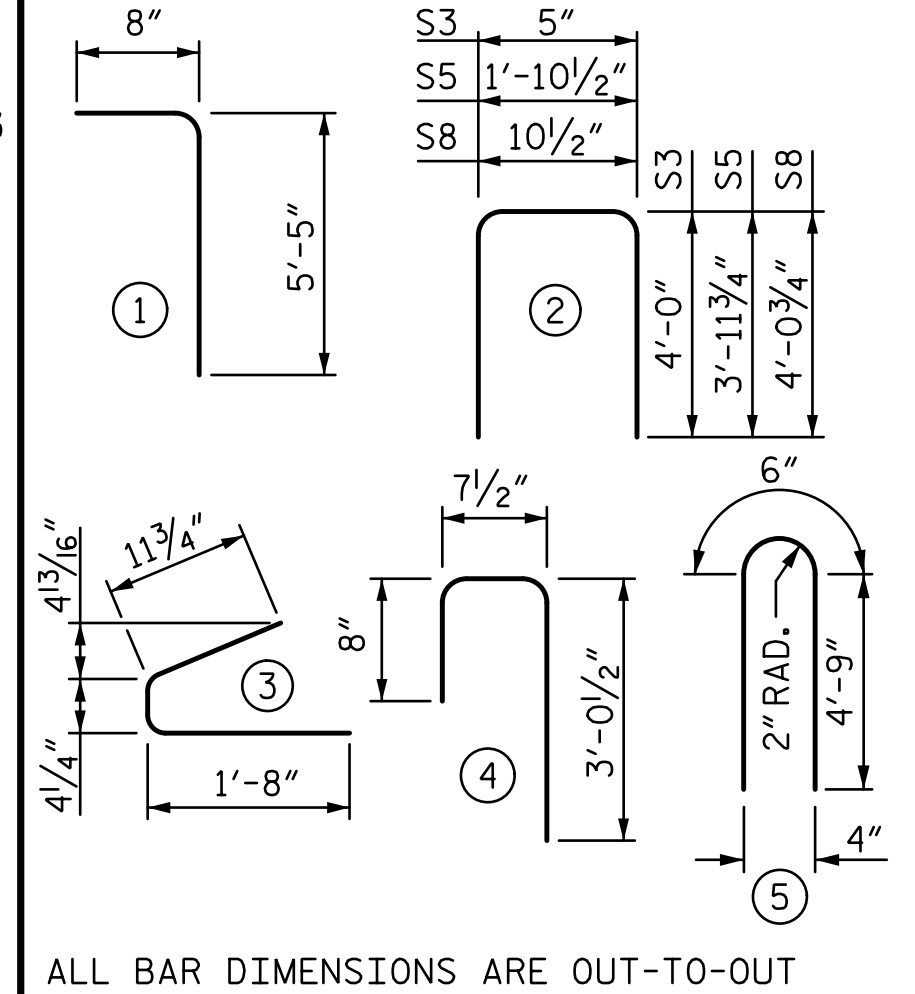


PARTIAL ELEVATION  
SHOWING INTERMEDIATE STEEL DIAPHRAGM  
REINFORCING STEEL FOR GIRDER 2 THRU 9

EXT. GDR.	S11	8	#5	5	10'-0"	83
INT. GDR.	S11	16	#5	5	10'-0"	167
EXT. GDR.	S12	16	#4	STR	8'-0"	86
INT. GDR.	S13	16	#4	STR	16'-1"	172

\* NOTE: S7 BARS SHALL BE BENT BEFORE SHIPMENT. HEAT BENDING SHALL NOT BE ALLOWED.

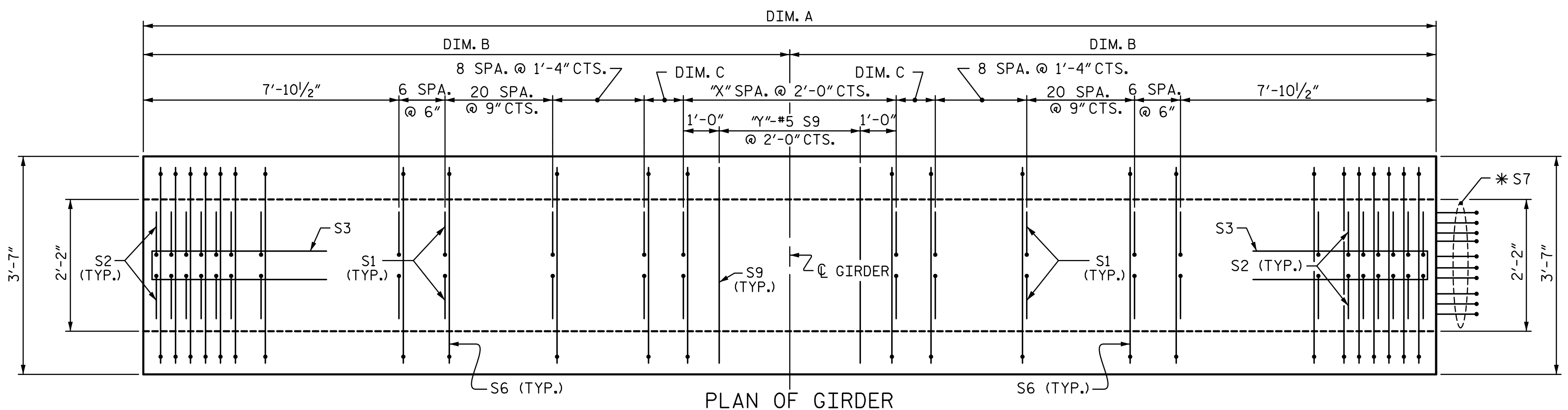
BAR TYPES



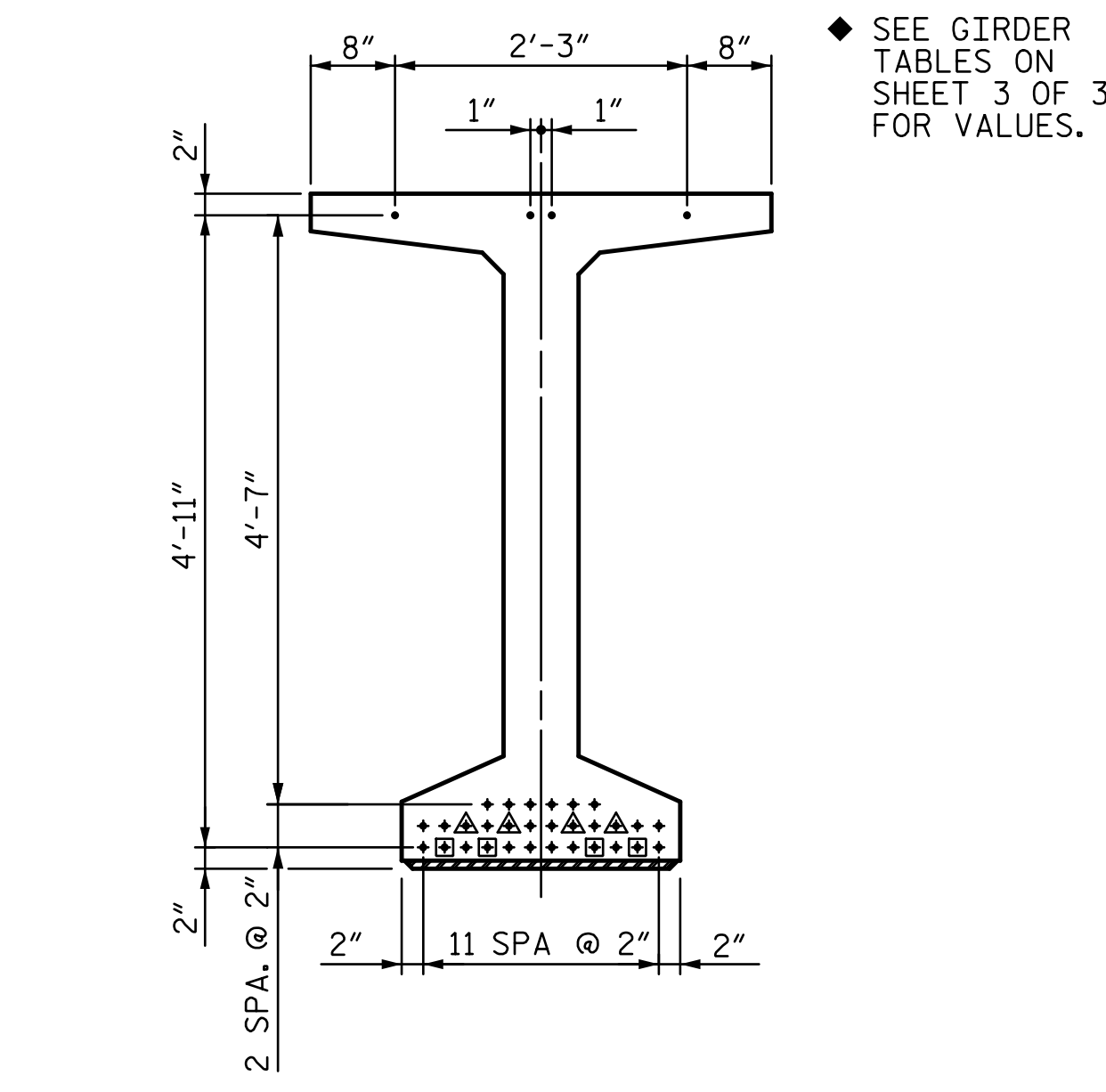
ALL BAR DIMENSIONS ARE OUT-TO-OUT

NOTES:

- FOR GIRDER DETAILS AND DIAPHRAGM HOLE LOCATIONS, SEE SHEET 3 OF 3.
- FOR VARIABLE DIMENSIONS AND QUANTITIES, SEE SHEET 3 OF 3.



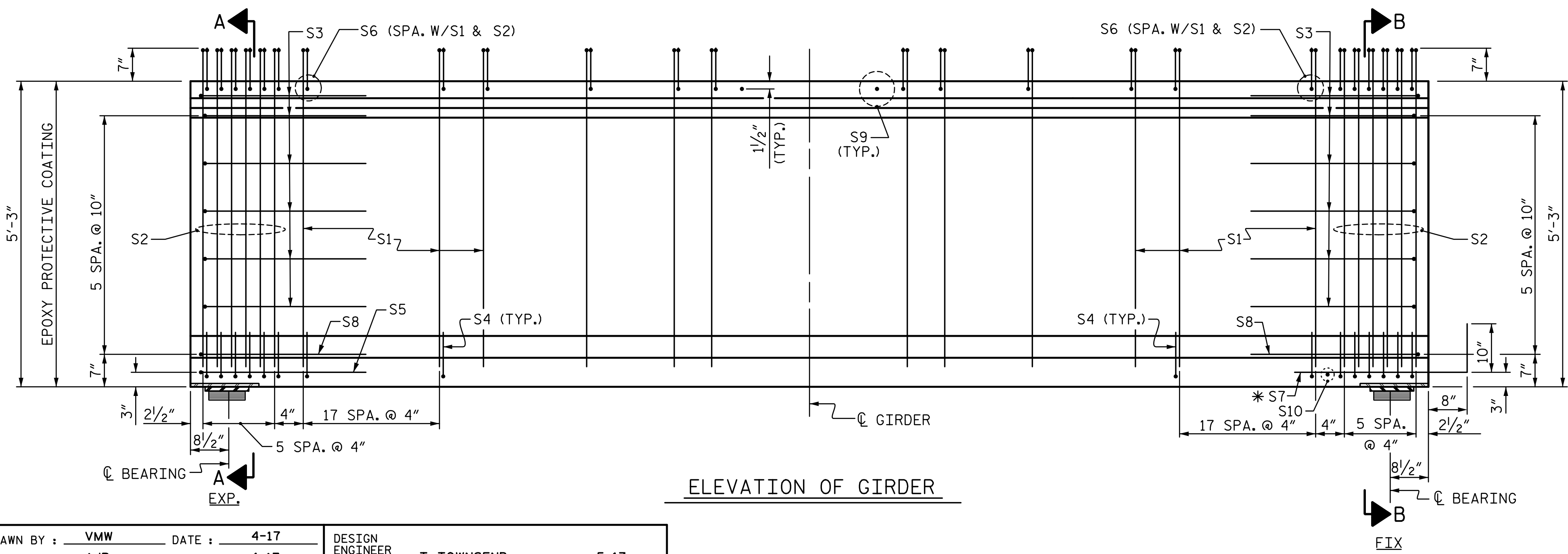
PLAN OF GIRDER



0.6" Ø LOW RELAXATION STRAND LAYOUT  
(34 STRANDS REQUIRED)

DEBONDING LEGEND

- FULLY BONDED STRANDS
- STRANDS DEBONDED FOR 8'-0" FROM END OF GIRDER
- STRANDS DEBONDED FOR 12'-0" FROM END OF GIRDER



ELEVATION OF GIRDER

PROJECT NO. U-4751  
NEW HANOVER COUNTY  
 STATION: 38+94.20 -L-  
 SHEET 2 OF 3

DOCUMENT NOT CONSIDERED FINAL  
UNLESS ALL SIGNATURES COMPLETED

STV 100 Years  
 STV ENGINEERS, INC.  
 900 West Trade St., Suite 715  
 Charlotte, NC 28202  
 NC License Number F-5991

STATE OF NORTH CAROLINA  
 DEPARTMENT OF TRANSPORTATION  
 RALEIGH

SUPERSTRUCTURE  
**63" PRESTRESSED CONCRETE  
 MODIFIED BULB TEE**

SPAN B

REVISIONS				SHEET NO.
NO.	BY:	DATE:	NO.	DATE:
1			3	
2			4	

SHEET NO. S1-14  
 TOTAL SHEETS 36

6/22/2017 3:15:35 PM R:\401\_027\_U4751\_SMJ\_PCG\_04\_640201.dgn  
 ch1tkhmb

DRAWN BY: VMW DATE: 4-17 DESIGN ENGINEER OF RECORD: T. TOWNSEND DATE: 5-17  
 CHECKED BY: AJP DATE: 4-17