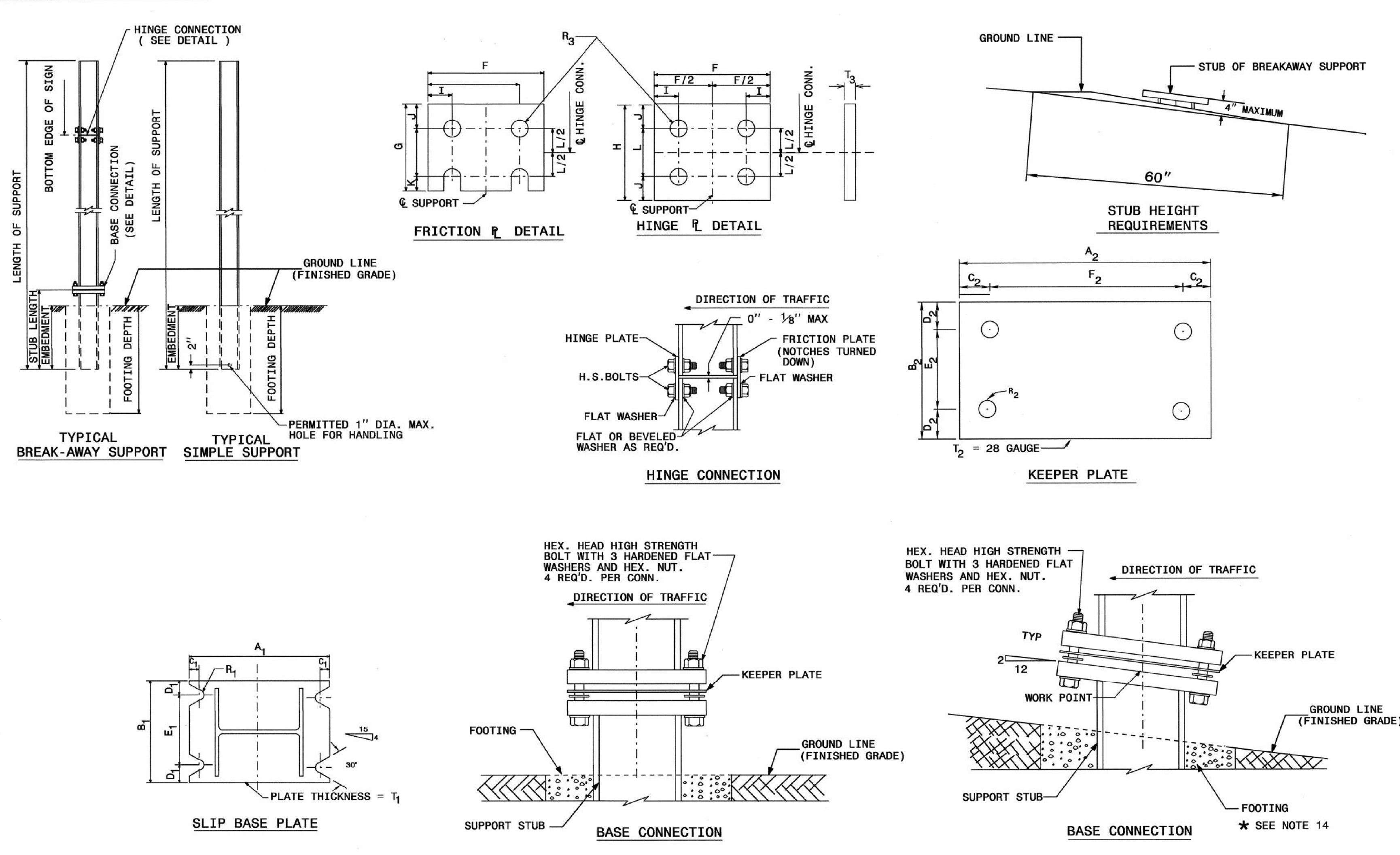


26-JUL-2013 09:37 S:\3800\Standards and Drawings\Drawings\2012 Standard Dwg\Division 9 Fina\090310\_sgn\_sh01.dgn support1\_RevISED\_7-3-13.dgn  
Stokes AT 126589

STATE OF NORTH CAROLINA  
DEPT. OF TRANSPORTATION  
DIVISION OF HIGHWAYS  
RALEIGH, N.C.

ENGLISH STANDARD DRAWING FOR  
**GROUND MOUNTED SIGN SUPPORTS**

SHEET 1 OF 3  
**903D10**



SEE SHEET 2 OF 3 FOR  
BASE CONNECTION DATA  
HINGE CONNECTION DATA  
& FOUNDATION DATA.  
SEE SHEET 3 OF 3 FOR  
GENERAL NOTES.

STATE OF NORTH CAROLINA  
DEPT. OF TRANSPORTATION  
DIVISION OF HIGHWAYS  
RALEIGH, N.C.

ENGLISH STANDARD DRAWING FOR  
**GROUND MOUNTED SIGN SUPPORTS**

SHEET 1 OF 3  
**903D10**

TIP NO. SHEET NO.

APPROVED: *[Signature]*  
DATE: 7/26/13

SEAL

TIP NO. SHEET NO.

U-4751 SIGN-2A

APPROVED: *[Signature]*  
DATE: 7/6/2017

SEAL

DOCUMENT NOT CONSIDERED FINAL  
UNLESS ALL SIGNATURES COMPLETED

**REVISED SIGNING  
ROADWAY STANDARD DRAWING**