

DESIGN BY: CHECKED BY: DATE: May 19, 2017
PROJECT ID: DIV:

SIGN NUMBER: TYPE: D BACKS COLOR: Orange
QUANTITY: 1 COPY COLOR: Black
SIGN WIDTH: 3'-0" HEIGHT: 1'-6" TOTAL AREA: 4.5 Sq.Ft.
BORDER TYPE: FLUSH RECESS: 0.47" WIDTH: 0.63" RADII: 1.5"
NO. Z BARS: MAT'L: 0.125" (3.2 mm) ALUMINUM
LENGTH:

SYMBOL	X	Y	WID	HT



BORDER
R=1.5"
TH=0.63"
IN=0.47"

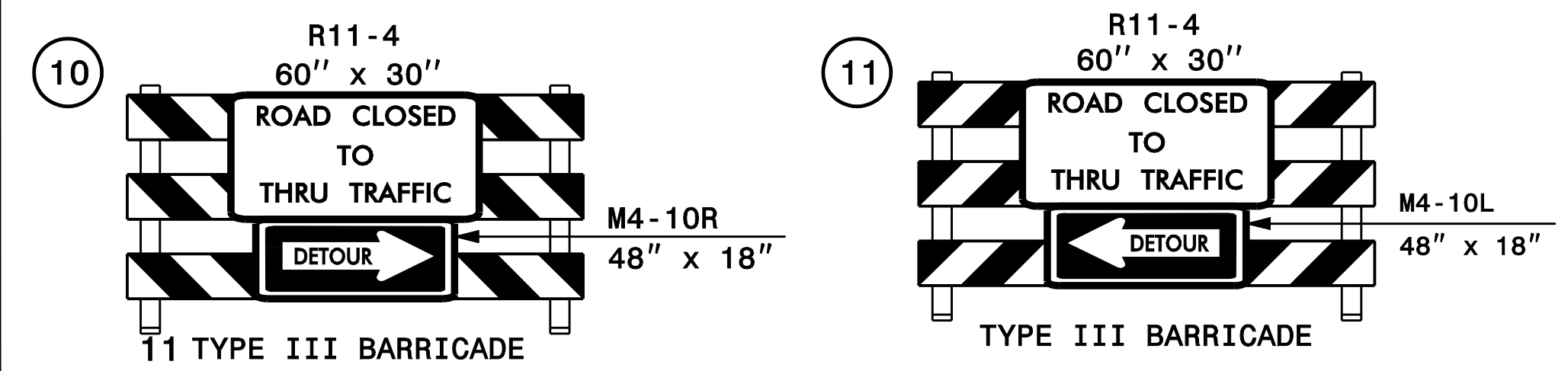
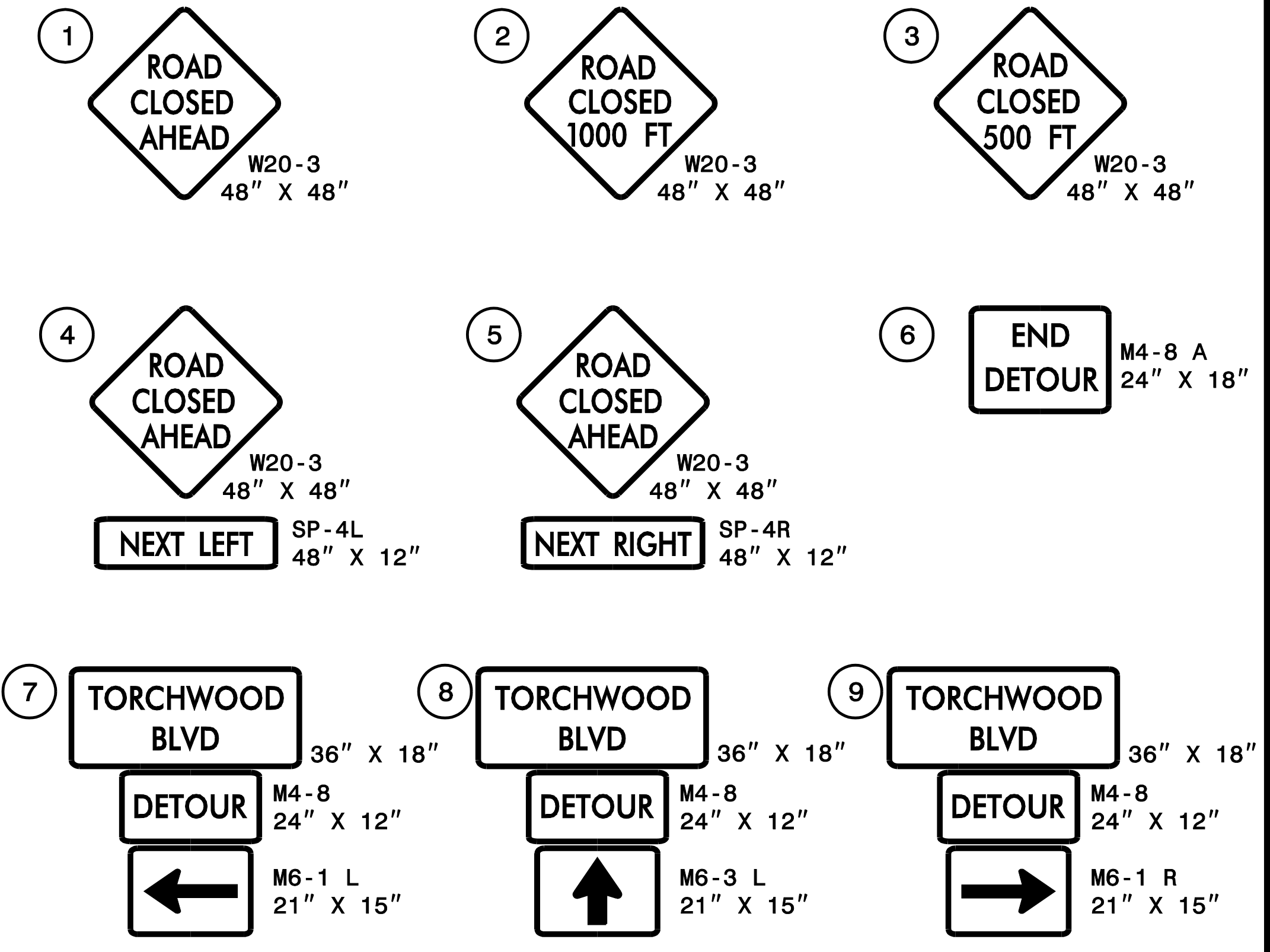
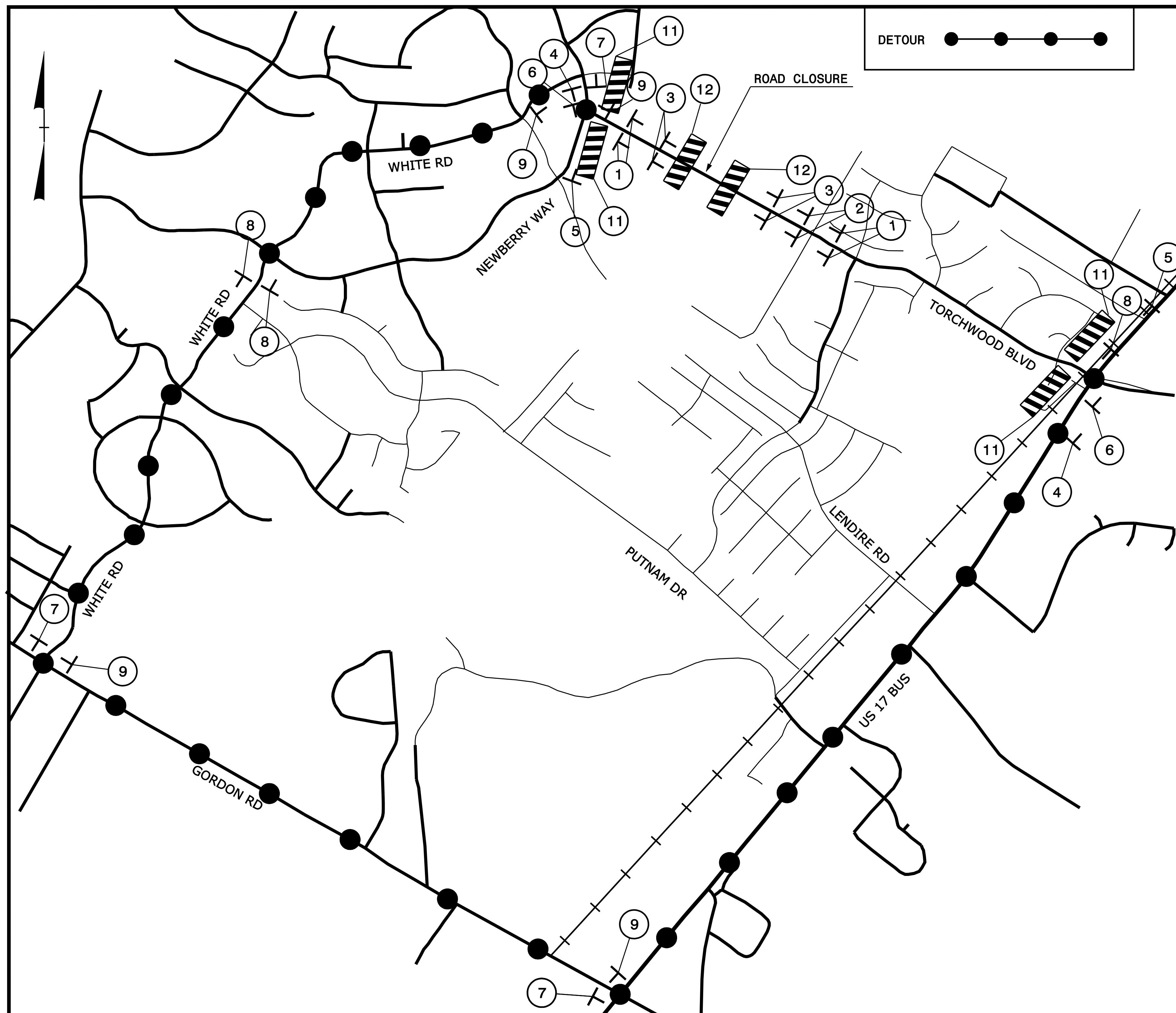
Spacing Factor is 1 unless specified otherwise

LETTER POSITIONS

Letter spacings are to start of next letter

Letter	T	O	R	C	H	W	O	O	D		Series/Size Text Length	
T	4.8	2.8	3.2	2.8	3	2.8	3.5	3.1	3.2	2.2	4.8	C 2000 26.4
B	12.8	2.9	2.3	3	2.2	12.8						C 2000 10.5

FILENAME: Offsite Sign Designs NORTH CAROLINA D.O.T. SIGN DETAIL



DOCUMENT NOT CONSIDERED FINAL UNLESS ALL SIGNATURES COMPLETED

REFER TO ROADWAY STANDARD DRAWING #1101.03, SHEET 1 OF 9 FOR APPLICABLE NOTES.

PLAN PREPARED IN THE OFFICE OF:

PROGRESSIVE DESIGN GROUP, INC.

ENGINEERS • CONSULTANTS

APPROVED: [Signature] DATE: 6/26/2017

SEAL
NORTH CAROLINA PROFESSIONAL ENGINEER
TIM APE
SEAL 025465

DIVISION OF HIGHWAYS
STATE OF NORTH CAROLINA
DEPARTMENT OF TRANSPORTATION
WORK ZONE TRAFFIC CONTROL

TRANSPORTATION MANAGEMENT PLAN
OFFSITE
DETOUR ROUTES