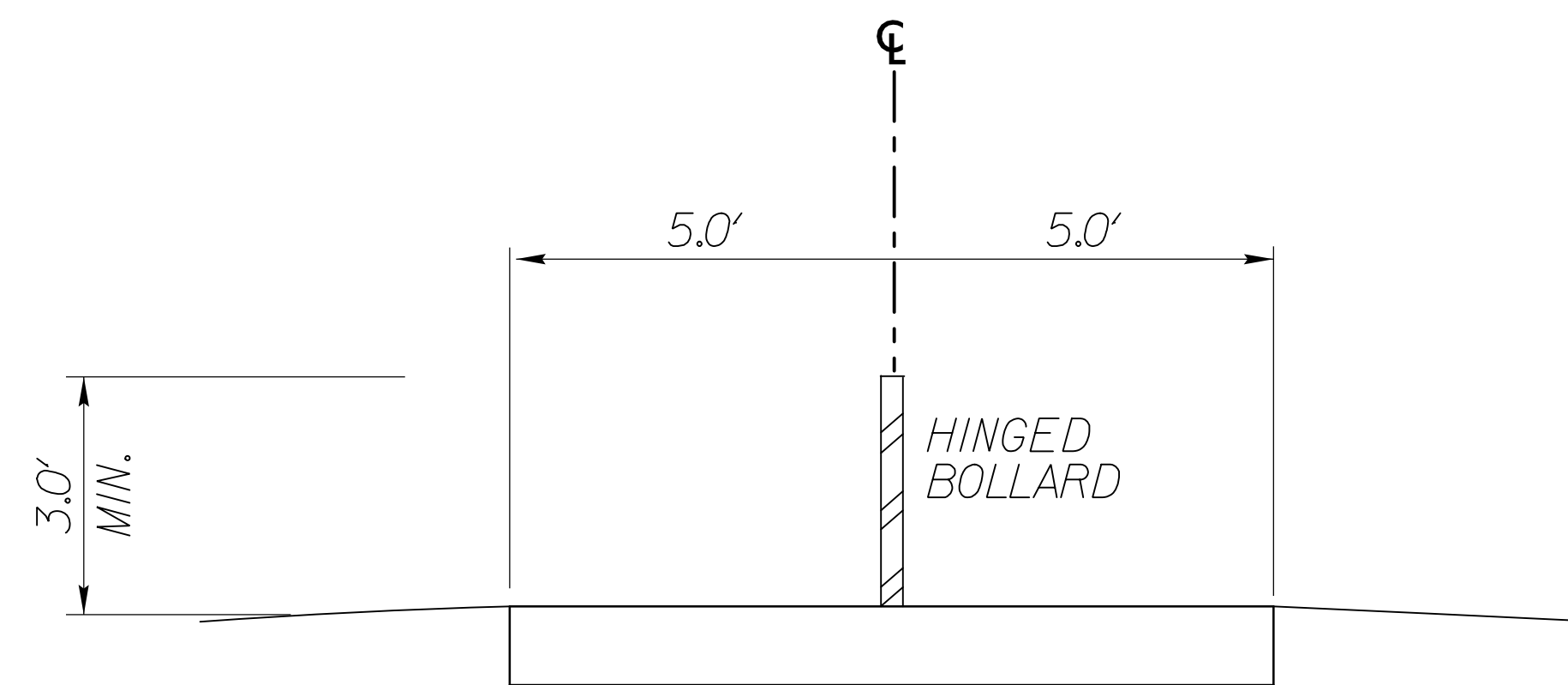
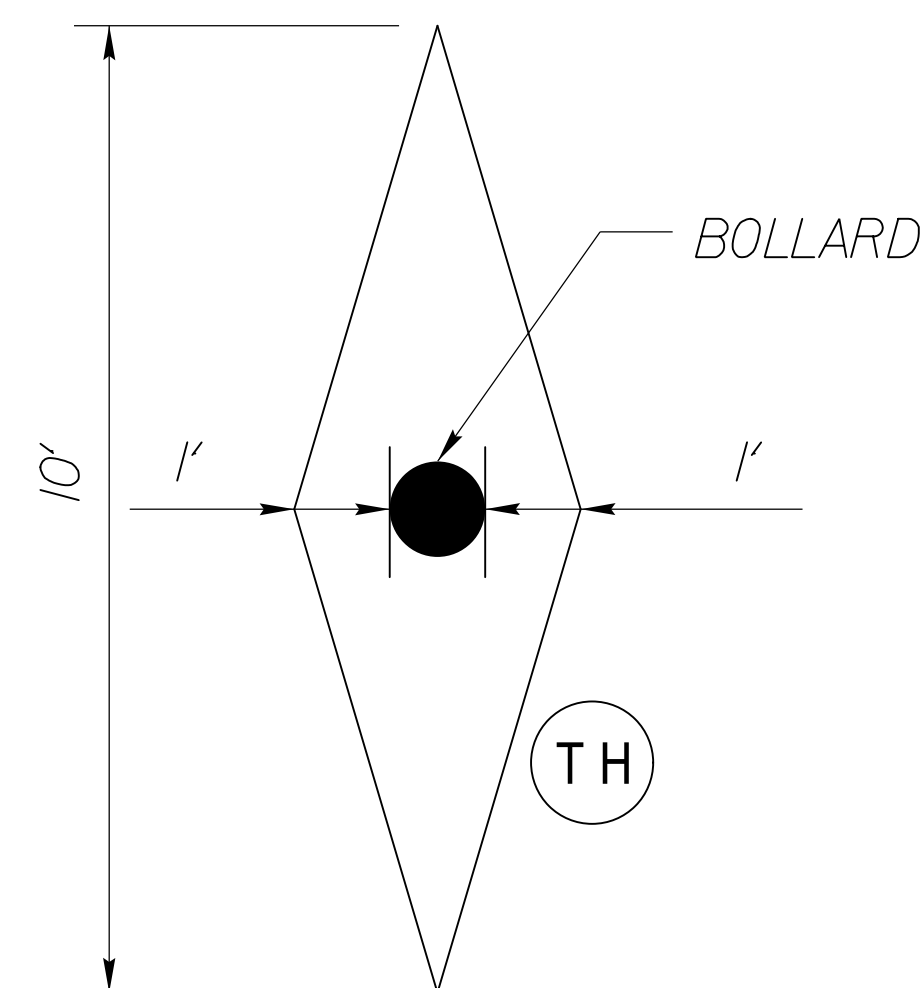


**DOCUMENT NOT CONSIDERED FINAL  
 UNLESS ALL SIGNATURES COMPLETED**



**TYPICAL BOLLARD PLACEMENT**

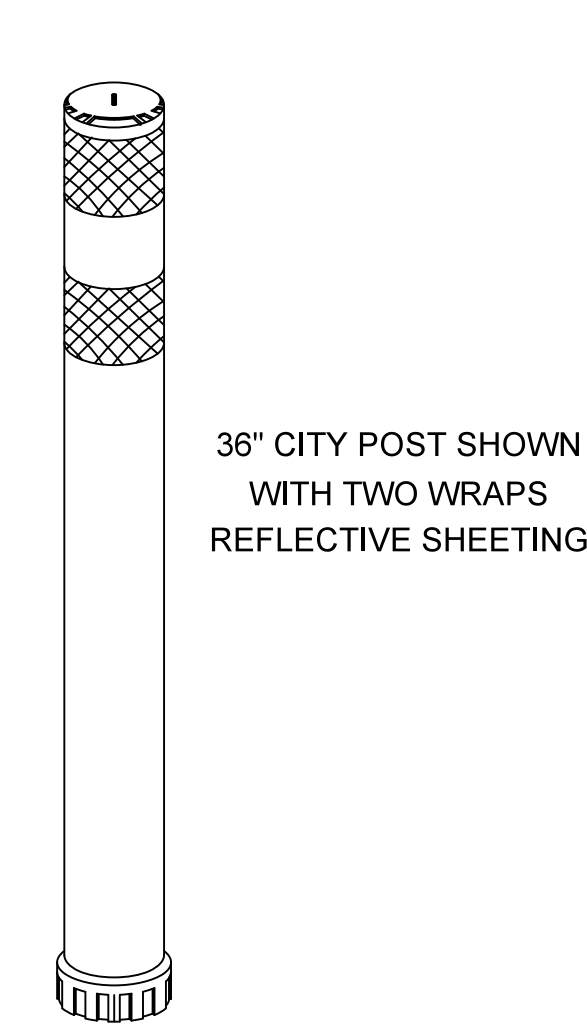
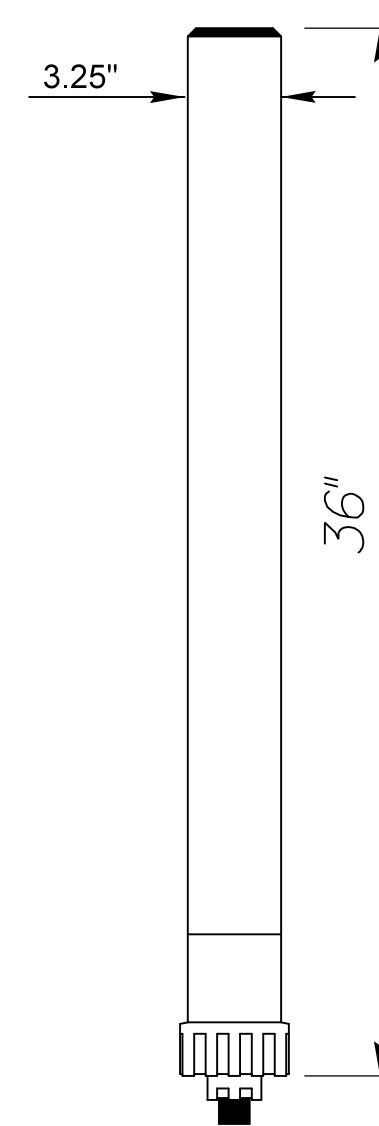
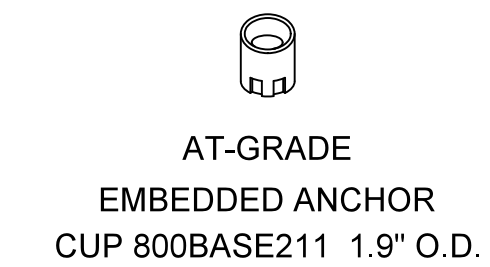
NO SCALE



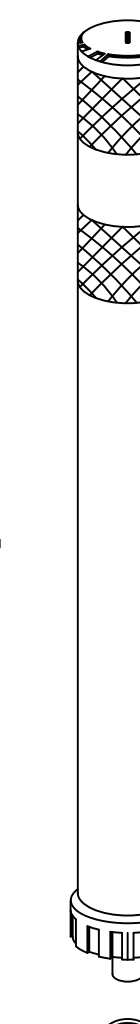
**TYPICAL BOLLARD MARKINGS DETAIL**

SELECT DESIRED COLOR:

- BCP\_WHT000 WHITE
  - BCP\_YEL000 YELLOW
  - BCP\_ORG000 ORANGE
  - BCP\_BK000 BLACK
- = LENGTH IN INCHES



ISOMETRIC  
 WITH TWO WRAPS  
 REFLECTIVE SHEETING



ISOMETRIC  
 WITH EMBEDDED ANCHOR CUP

- BOLLARD NOTES:**
- BOLLARD POSTS AT INTERSECTIONS TO BE REFLECTORIZED.
  - BOLLARD PLACEMENT OFFSET FROM INTERSECTIONS IS A MINIMUM OF 5 FEET.
  - BOLLARD AND SIGNS TO BE INSTALLED BY THE CONTRACTOR IN ACCORDANCE WITH SPECIFICATIONS.
  - BOLLARDS SHALL BE YELLOW WITH AMBER REFLECTIVE TAPE.
  - BOLLARDS SHALL BE DP 200 FLEXIBLE CHANNELIZER CITY POST OR APPROVED EQUAL.

**BOLLARD DETAILS**

SEE PLAN SHEET 8 FOR PROPOSED BOLLARD LOCATION